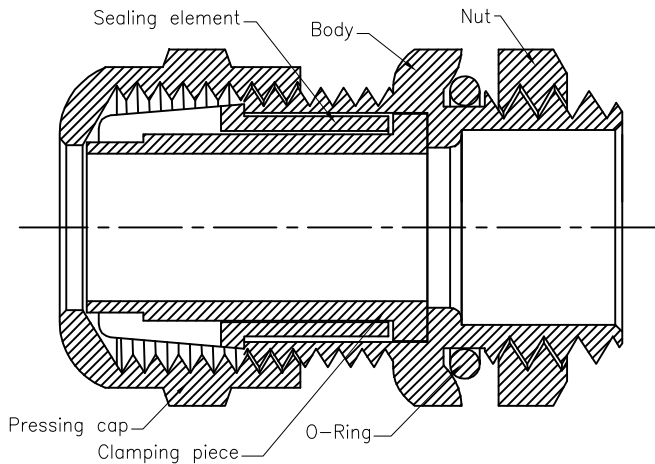
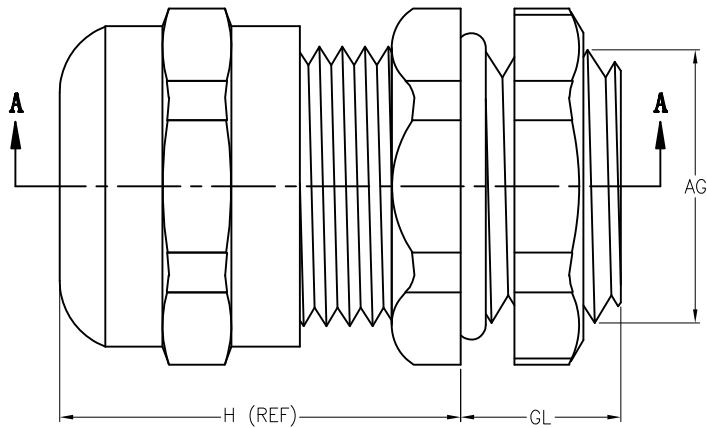


APPROVED: _____

DATE: _____ TITLE: _____

Rev	AWO #	Description	Date	Appr
-		RELEASED	5/10/23	
A		ADDED PAGE2	6/8/23	WX/RC



CG-M-MX-X CG-M-MX-2
(See Page2)

Unit: mm

ADAM P/N	Screw Item (AG)	Cable range	Screw Thread O.D	Thread Length (GL)	Joint Length (H) REF
CG-M-M6-1	M6x1	4-2	6	5	11
CG-M-M8-1	M8x1	5.5-2	8	5	16
CG-M-M10-1	M10x1	6.5-3	10	7	19
CG-M-M12-1.5	M12x1.5	6.5-3	12	7	19
CG-M-M14-1.5	M14x1.5	8-4	14	7	19
CG-M-M16-1.5	M16x1.5	8-4	16	8	20
CG-M-M18-1.5	M18x1.5	10-5	18	8	21
CG-M-M20-1.5	M20x1.5	12-6	20	8	22
CG-M-M22-1.5	M22x1.5	14-10	22	8	23
CG-M-M24-1.5	M24x1.5	14-10	24	9	25
CG-M-M25A-1.5	M25x1.5	14-10	25	9	25
CG-M-M25C-1.5	M25x1.5	18-13	25	9	27
CG-M-M27-1.5	M27x1.5	18-13	27	9	27
CG-M-M28-1.5	M28x1.5	18-13	28	9	27
CG-M-M30-1.5	M30x1.5	18-13	30	9	29
CG-M-M32-1.5	M32x1.5	22-15	32	10	29
CG-M-M33-1.5	M33x1.5	22-15	33	10	29
CG-M-M36-1.5	M36x1.5	25-18	36	10	31
CG-M-M37-1.5	M37x1.5	25-18	37	10	31
CG-M-M40A-1.5	M40x1.5	25-18	40	11	31
CG-M-M40C-1.5	M40x1.5	30-22	40	11	35
CG-M-M42-1.5	M42x1.5	30-22	42	11	35
CG-M-M47-1.5	M47x1.5	33-25	47	11	37
CG-M-M48-1.5	M48x1.5	33-25	48	11	37
CG-M-M50-1.5	M50x1.5	38-32	50	12	37
CG-M-M54-1.5	M54x1.5	38-32	54	12	38
CG-M-M60-1.5	M60x1.5	44-37	60	13	38
CG-M-M63-1.5	M63x1.5	44-37	63	13	38
CG-M-M64-1.5	M64x1.5	44-37	64	13	38
CG-M-M72-1.5	M72x1.5	52-42	72	15	42
CG-M-M75-1.5	M74x1.5	55-45	75	15	42
CG-M-M80-1.5	M80x1.5	62-50	80	18	46
CG-M-M88-1.5	M88x1.5	70-60	88	18	46
CG-M-M100-1.5	M100x1.5	80-70	100	20	50

SPECIFICATIONS:

Material:
 Body: Brass, Nickel Plated
 Contacts: Brass
 Clamping piece: PA
 Pressing cap: Brass, Nickel Plated
 Nut: Brass, Nickel Plated
 Sealing element: NBR
 O-Ring: NBR

Mechanical:
 Applicable cable specifications for wiring: $\phi 6.5-\phi 3$ mm
 Temperature Rating:
 40°C to +100°C
 Environmental:
 Waterproof: IP68
 Lead free, RoHS compliant



UNLESS OTHERWISE SPECIFIED ALL DIMENSIONS ARE INCHES [MM]. TOLERANCES: EXCEPT AS NOTED

INCHES		HOLES	
.x	± .10	∅.x	± .10
.xx	± .020	∅.xx	± .015
.xxx	± .015	∅.xxx	± .010



909 Rahway Avenue,
 Union, NJ 07083
 Phone: 908-687-5000
 Fax: 908-687-5710

DRAWN	LH	5/10/23
CHECKED	RC	5/10/23
APPROVED		

TITLE
METRIC THREAD WATERPROOF CONNECTOR, IP68, 1 HOLE, CABLE GLAND

THIS DRAWING CONTAINS INFORMATION THAT IS PROPRIETARY AND SHOULD NOT BE USED WITHOUT PRIOR WRITTEN PERMISSION FROM ADAM TECH

SIZE X	PART NO. CG-M-MX-X	REV. A
REF: -	SCALE: NTS	SHEET 1 OF 2

6

5

4

3

2

1

APPROVED: _____

DATE: _____ TITLE: _____

Rev

AWO #

Description

Date

Appr

SEE SHT 1 OF 2 FOR REVISION

CG-M-MX-2

Unit: mm

ADAM P/N	Screw Item (AG)	Cable range	Screw Thread O.D	Thread Length (GL)	Joint Length (H) REF
CG-M-M27-2	M27x2	18-13	27	9	27
CG-M-M28-2	M28x2	18-13	28	9	27
CG-M-M30-2	M30x2	18-13	30	9	29
CG-M-M32-2	M32x2	22-15	32	10	29
CG-M-M33-2	M33x2	22-15	33	10	29
CG-M-M36-2	M36x2	25-18	36	10	31
CG-M-M37-2	M37x2	25-18	37	10	31
CG-M-M40B-2	M40x2	25-18	40	11	31
CG-M-M40D-2	M40x2	30-22	40	11	35
CG-M-M42-2	M42x2	30-22	42	11	35
CG-M-M47-2	M47x2	33-25	47	11	37
CG-M-M48-2	M48x2	33-25	48	11	37
CG-M-M50-2	M50x2	38-32	50	12	37
CG-M-M54-2	M54x2	38-32	54	12	38
CG-M-M60-2	M60x2	44-37	60	13	38
CG-M-M63-2	M63x2	44-37	63	13	38
CG-M-M64-2	M64x2	44-37	64	13	38
CG-M-M72-2	M72x2	52-42	72	15	42
CG-M-M75-2	M75x2	52-42	75	15	42
CG-M-M80-2	M80x2	62-55	80	18	46
CG-M-M88-2	M88x2	70-65	88	18	46
CG-M-M90A-2	M90x2	65-70	90		
CG-M-M90B-2	M90x2	78-84	90		
CG-M-M100-2	M100x2	84-78	100	20	50

UNLESS OTHERWISE SPECIFIED ALL DIMENSIONS ARE INCHES [MM]. TOLERANCES: EXCEPT AS NOTED

INCHES		HOLES	
.X	± .10	∅X	±.10
.XX	± .020	∅XX	±.015
.XXX	± .015	∅XXX	±.010

909 Rahway Avenue,
Union, NJ 07083
Phone: 908-687-5000
Fax: 908-687-5710

DRAWN

LH

5/10/23

CHECKED

RC

5/10/23

APPROVED

THIS DRAWING CONTAINS INFORMATION THAT IS PROPRIETARY AND SHOULD NOT BE USED WITHOUT PRIOR WRITTEN PERMISSION FROM ADAM TECH

TITLE
METRIC THREAD WATERPROOF CONNECTOR,
IP68, 1 HOLE, CABLE GLAND

SIZE
X

PART NO.

CG-M-MX-X

REV.
A

REF: -

SCALE: NTS

SHEET 2 OF 2

6

5

4

3

2

1