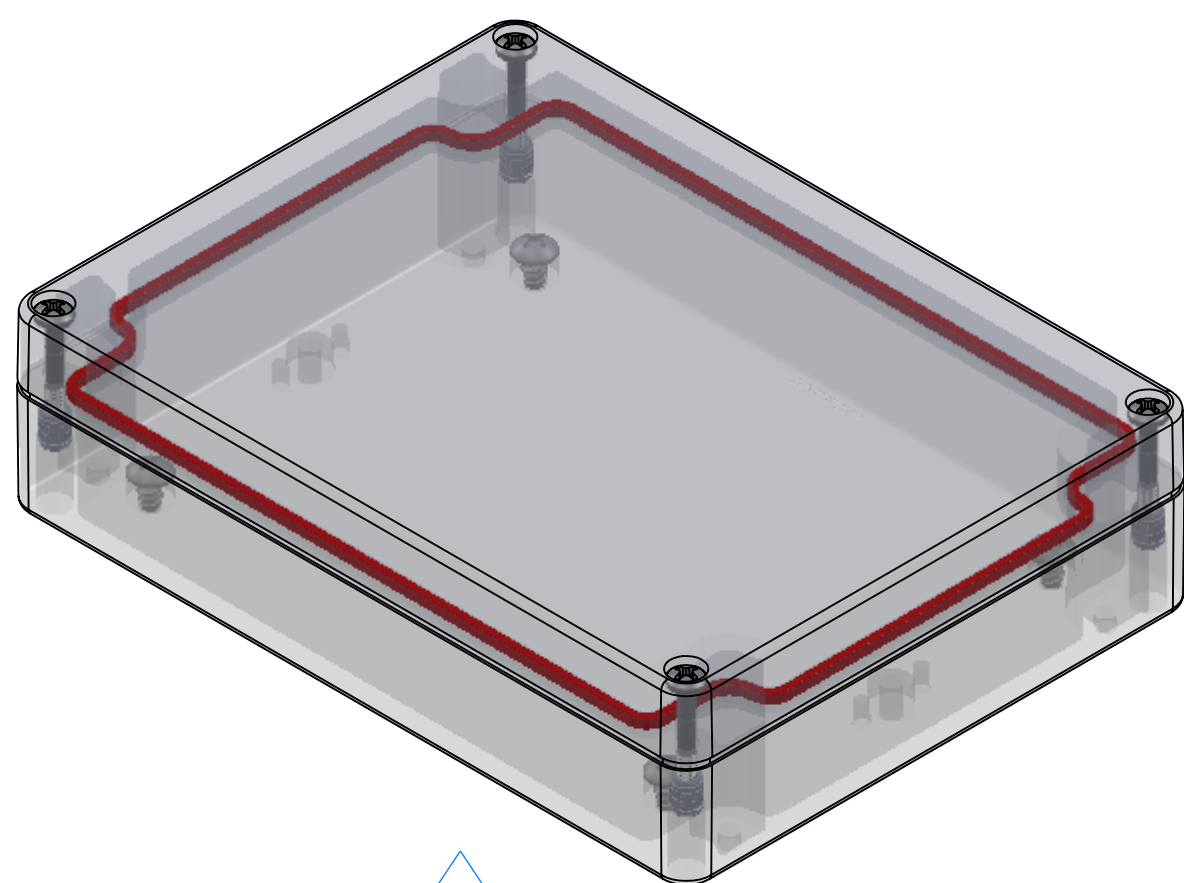
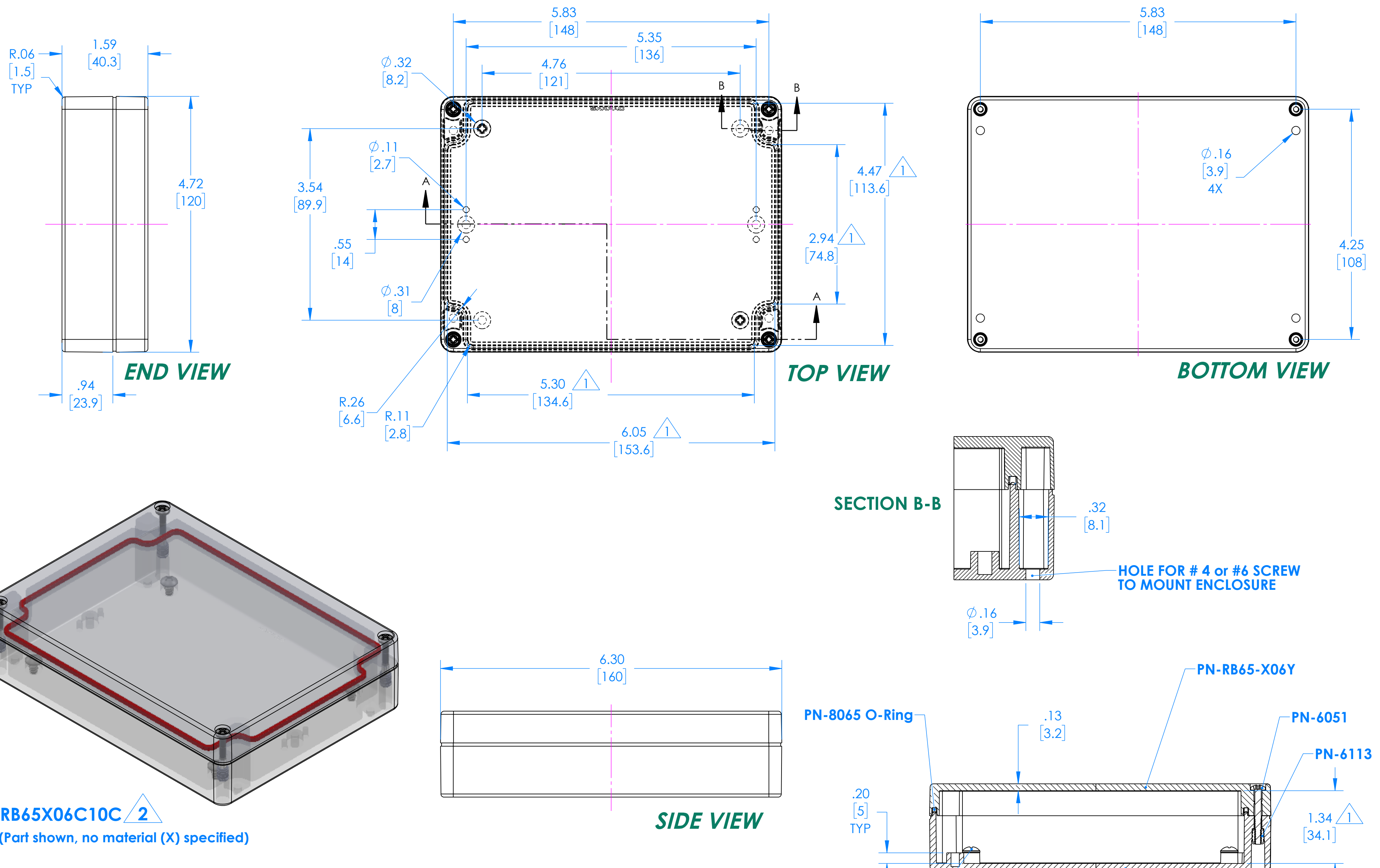


# SERPAC RB65X06Y10Y 2

Electronic Enclosures



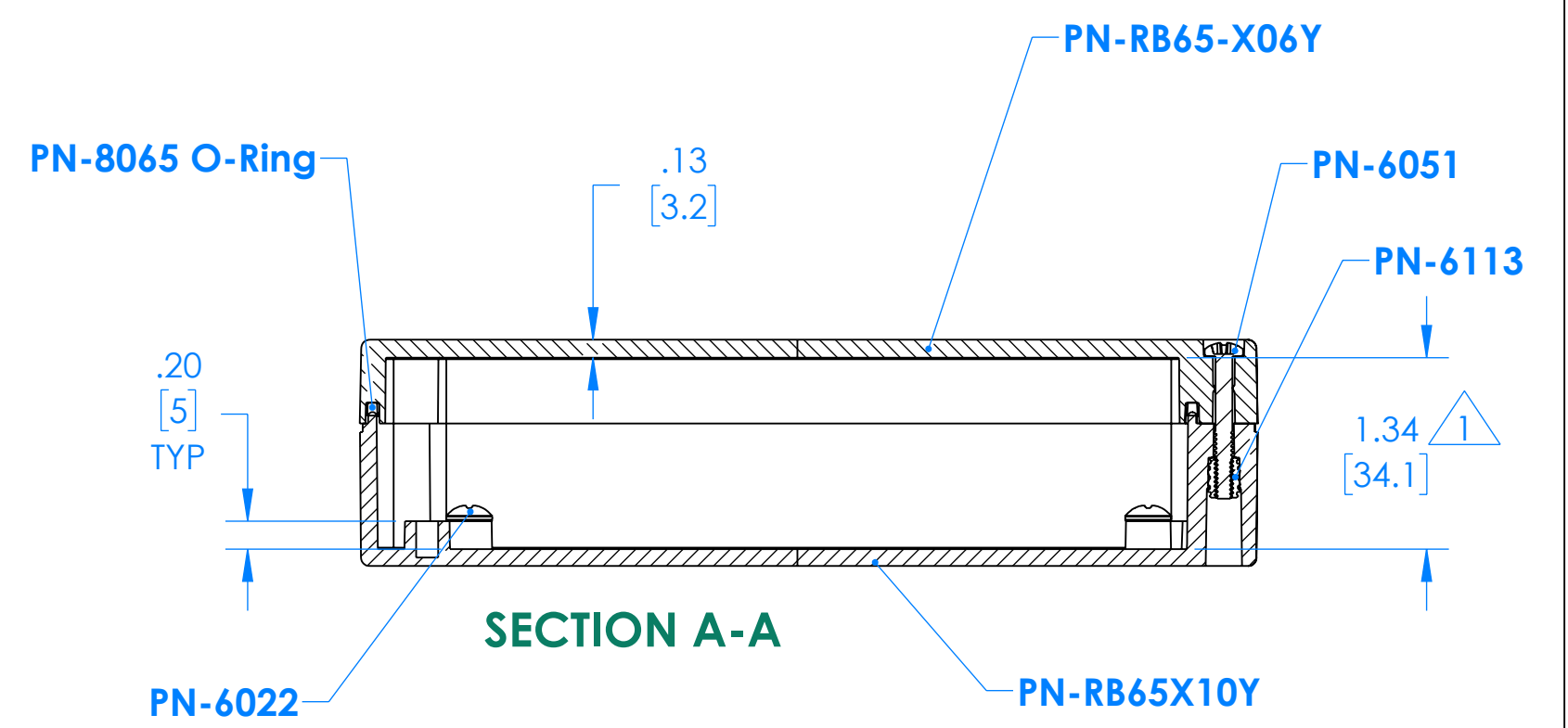
**RB65X06C10C 2**  
(Part shown, no material (X) specified)

PN	Description
RB65-X06Y	(1) RB65-X06Y Top
RB65X10Y	(1) RB65X10Y Bottom
8065	(1) RB65 O-Ring
6051	(4) #6-32 X 1" PH captive pan HD Screw
6022	(4) #10 High/Low Pan Hd x 1/4"
6113	(4) #6-32 Threaded Insert

1 = INTERIOR DIMENSIONS (@ BOTTOM)  
2 = STANDARD COLORS (Y) ARE: BLACK (B), CLEAR (C) AND GRAY (G)  
TOPS AND BOTTOMS ALL POSSIBLE COMBINATIONS AVAILABLE  
STANDARD MATERIALS (X) IS: POLYCARBONATE (P)

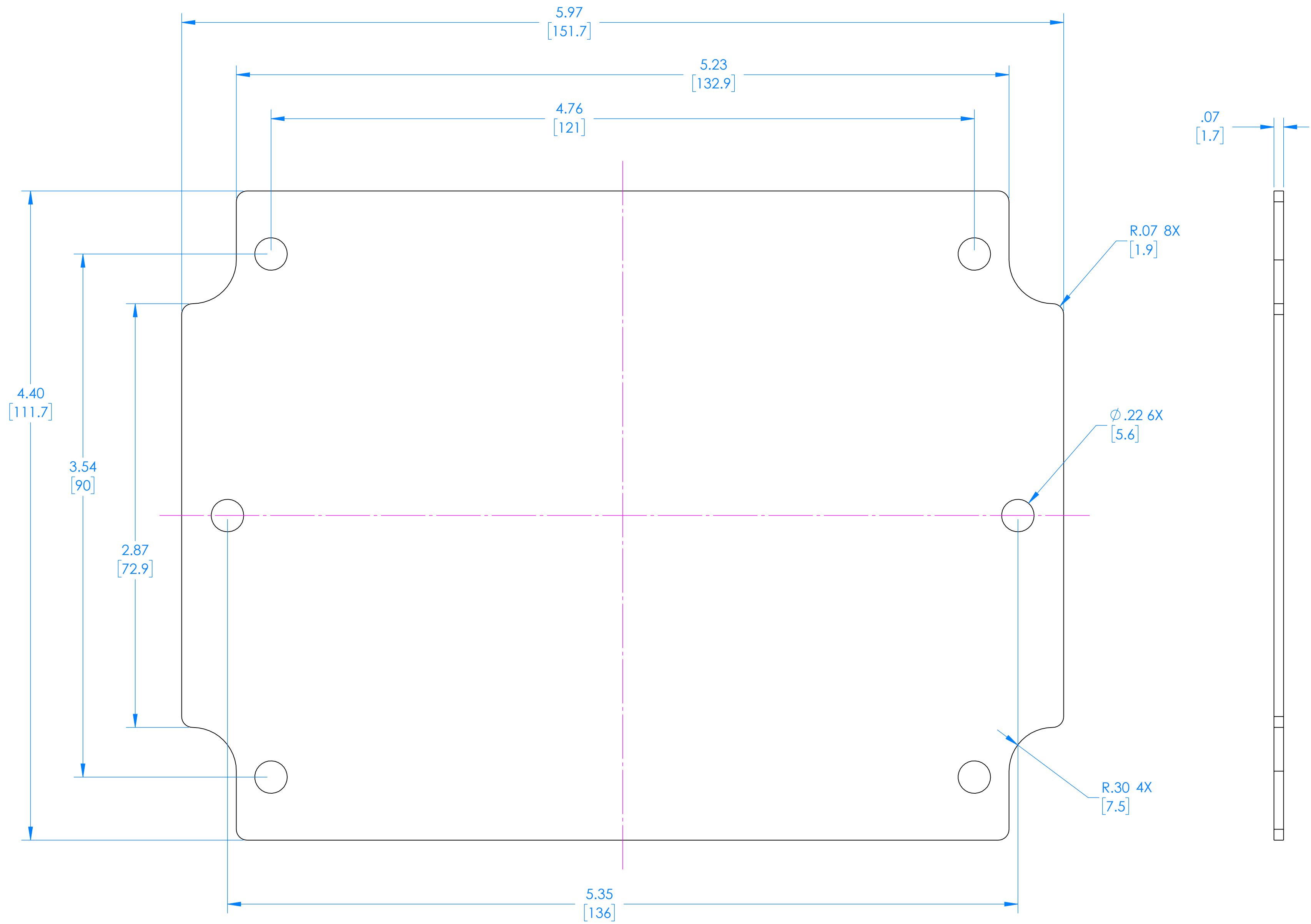
-Watertight enclosure meets or exceed Nema 4 and or IP67.

DIMENSIONS in Inch [mm]



ALL DIMENSIONS ARE  $\pm .010"$  5/8/2023  
2009 Wright Ave., La Verne, Ca. 91750  
Ph. (626) 331-0517 Fx. (626) 331-8584 serpac.com

# RB65 Circuit Board (Fits all Parts starting with RB65)



(REFERENCE ONLY)