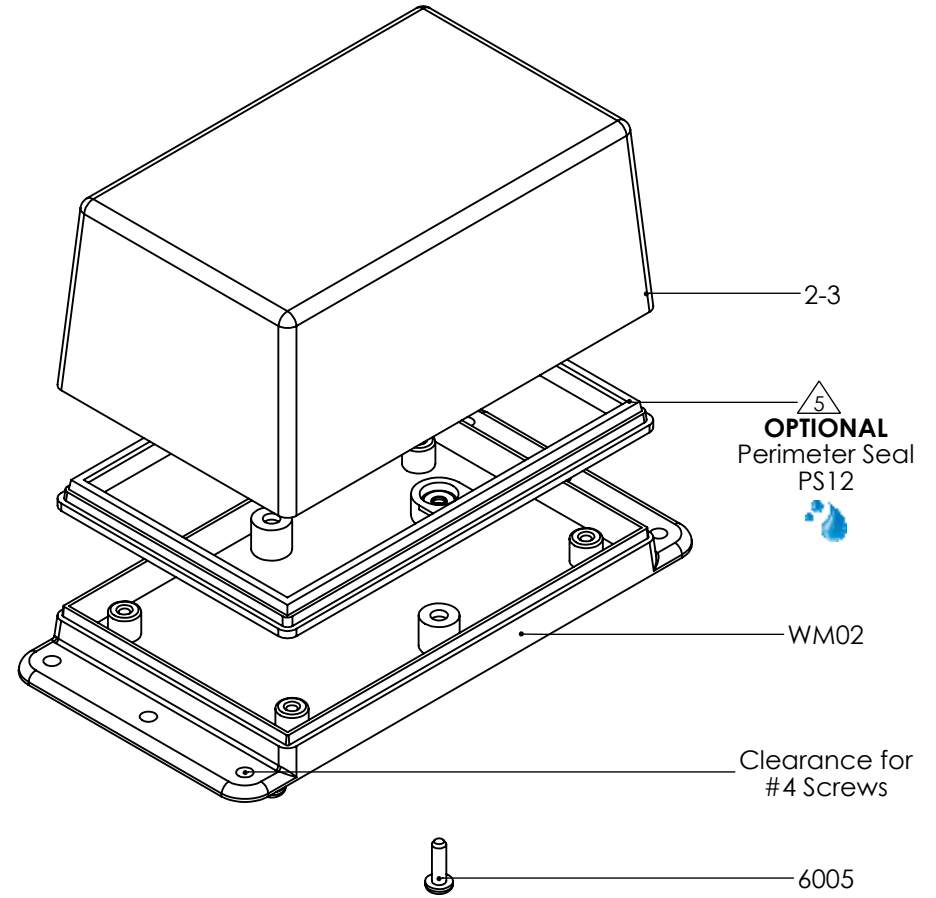
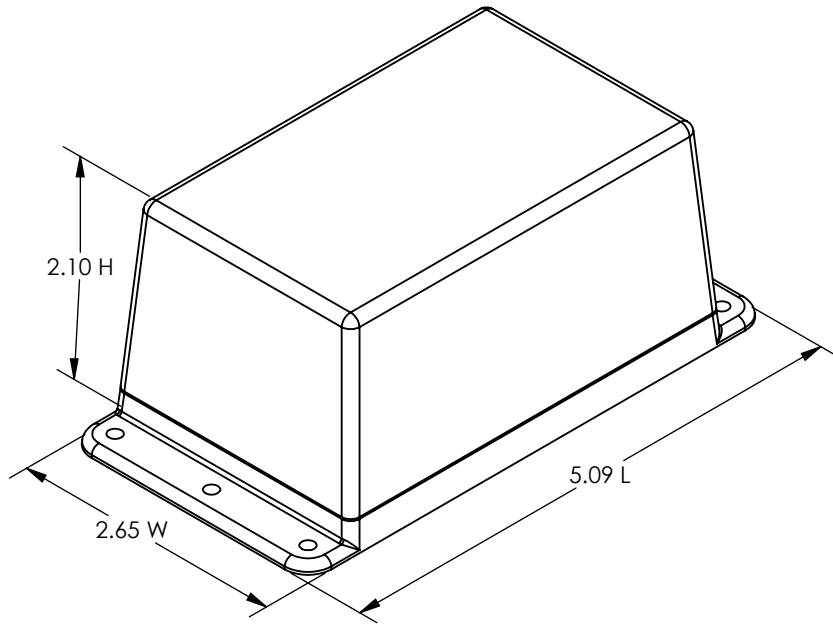


SERPAC WM023

ELECTRONIC ENCLOSURES

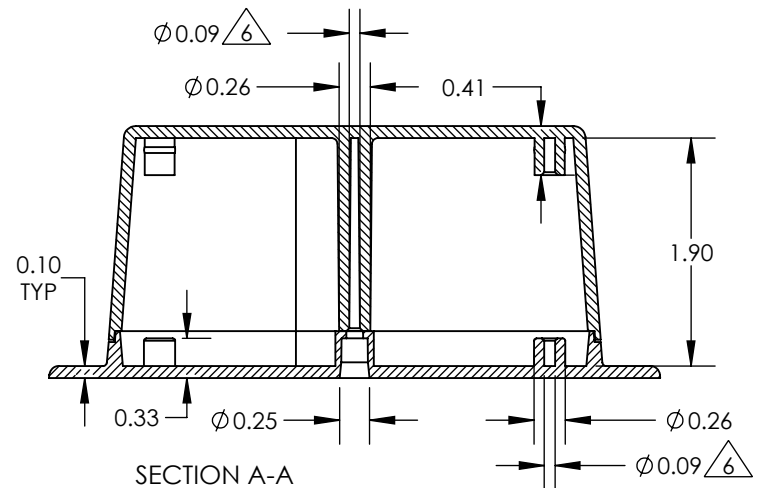
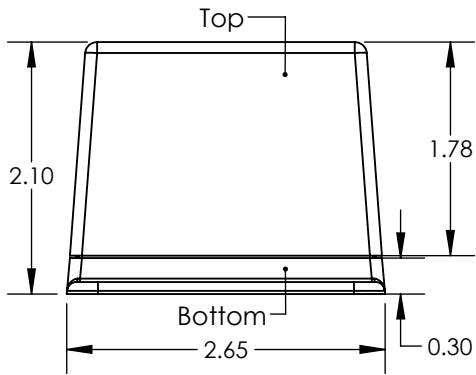
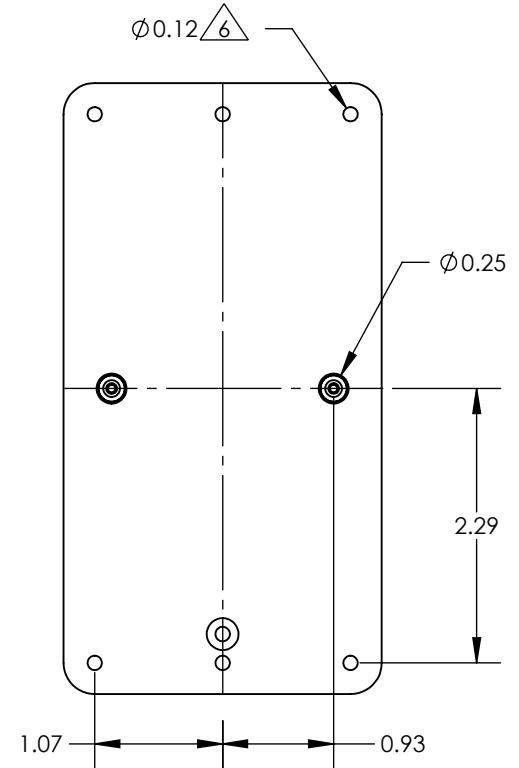
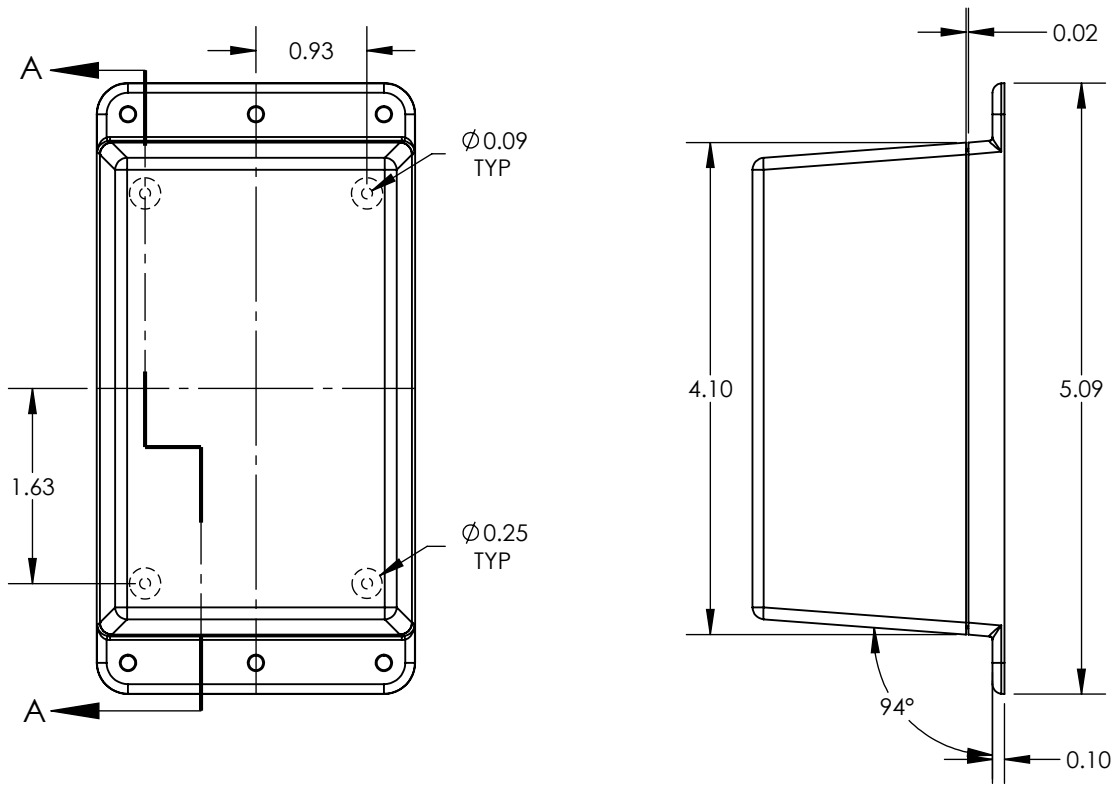


PART NO.	DESCRIPTION (Included)	ACCESSORIES (Optional)	
2-3	Top	PART NO.	DESCRIPTION
WM02	Wall Mounted Bottom	60	Standoff Hole
6005	#4X3/8" Self-Tapping Screw (2)	61	Standoff Post
		PS12	Waterproof Perimeter Seal

Notes: Enclosure weight .19 lb / 85 g
 1) Enclosure meets or exceeds IP40 and NEMA 1
 2) Circuit Board drawings see sheet 3.
 3) All components are RoHS Compliant.
 4) Material: Top and Bottom ABS.
 5) When used with PS12 the enclosure meets or exceeds IP 67 and NEMA 4X, 12 and 13 MIL-STD-810G 506.5 (.02 lb / 7g)

SERPAC WM023

ELECTRONIC ENCLOSURES



- Notes:
- Enclosure weight .19 lb / 85 g
 - 1) Enclosure meets or exceeds IP40 and NEMA 1
 - 2) Circuit Board drawings see sheet 3.
 - 3) All components are RoHS Compliant.
 - 4) Material: Top and Bottom ABS.
 - 5) When used with PS12 the enclosure meets or exceeds IP 67 and NEMA 4X, 12 and 13 MIL-STD-810G 506.5 (.02 lb / 7g)
 - 6) Accepts #4 self tapping screw. $\triangle 6$

SERPAC WM023 CIRCUIT BOARD

ELECTRONIC ENCLOSURES

Top & Bottom Option

