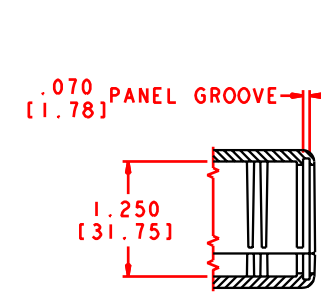
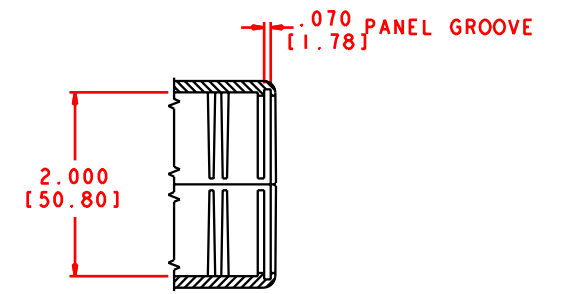


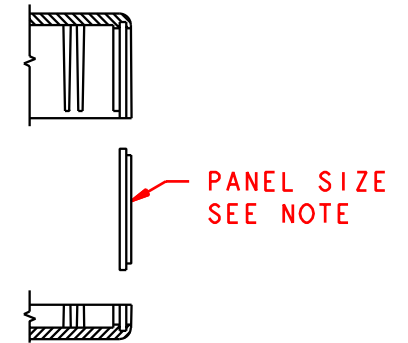
LH84-130 LH84-200



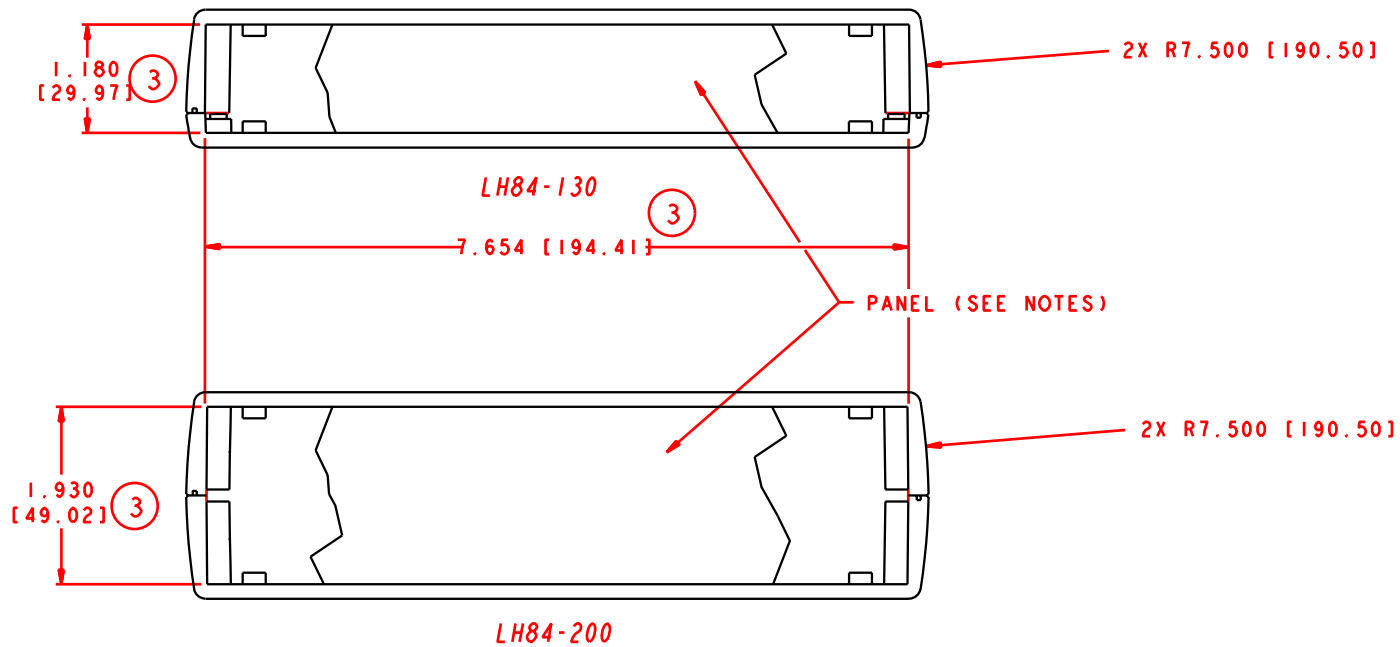
LH84-130  
SECTION B-B



LH84-200  
SECTION B-B

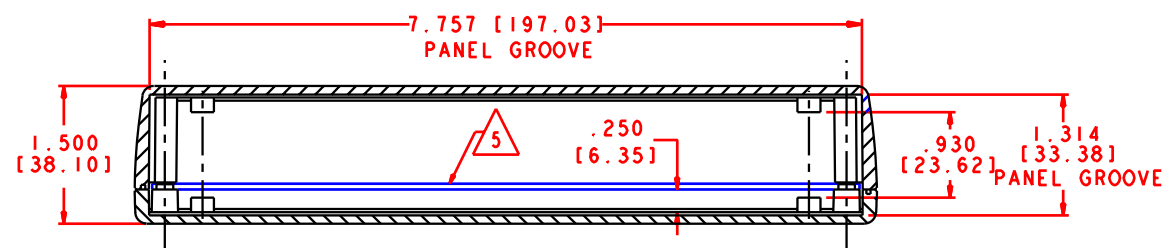


PANEL SIZE  
SEE NOTE

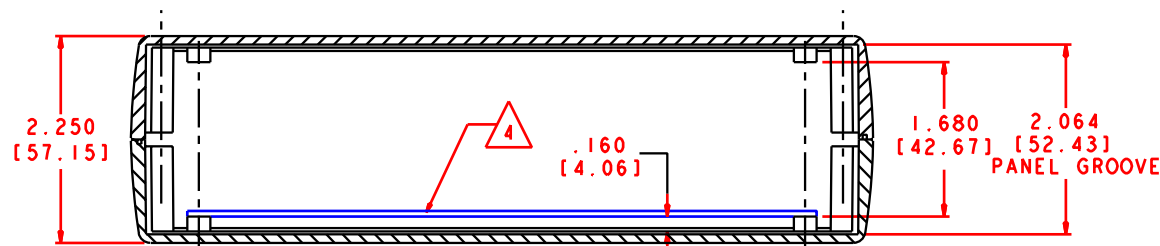


NOTES:

- PANEL SIZE: (FRONT AND REAR)  
 LH84-130 1.307±.005 [33.20±0.13] H X 7.755±.005 [196.98±0.13] W  
 X .062±.005 [1.57±0.13] THK., IN PANEL GROOVE AREA.  
 LH84-200 2.057±.005 [53.25±0.13] H X 7.755±.005 [196.98±0.13] W  
 X .062±.005 [1.57±0.13] THK., IN PANEL GROOVE AREA.
- ① EXTERIOR INSERT AREA, FOR IN MOLD MODIFICATION. TYPICAL ON TOP AND BOTTOM COVERS.
  - ② INTERIOR INSERT AREA, FOR IN MOLD MODIFICATION. TYPICAL ON TOP AND BOTTOM COVERS.
  - ③ USABLE PANEL AREA.
  - ④ P.C. CARD 3.950 [100.33] L X 7.000 [177.80] W .062±.005 [1.57±0.13] THK.
  - ⑤ P.C. CARD 3.950 [100.33] L X 7.700 [195.58] W .062±.005 [1.57±0.13] THK.



LH84-130  
SECTION A-A



LH84-200  
SECTION A-A

**PACNTEC®**

LH84-130 & LH84-200

www.pactecenclosures.com

1-610-361-4231