

9X8X2 IMPACT[®] SERIES



Features & Benefits

- **Quality material** – bases, opaque covers and clear covers are all made of high-impact, UV resistant polycarbonate.
- **Frequency friendly** – 100% metal free configurations available which is extremely favorable for sending and receiving wireless signals.
- **Integrated Latch** – Locking latch is molded into the cover, creating a complete, NEMA 6P enclosure with no additional hardware needed.
- **Easy installation** – with molded mounting flanges, so no extra hardware is needed.
- **Flexible interior mounting** – bosses on rear wall and lid of opaque enclosure provide multiple mounting options for DIN rail, back panels, or other components.
- **Standard color** – light gray with a gloss finish.
- **UL-50 / c-UL Listed** (file # E207562)

Mechanical & Thermal	Test Spec.	Unit	Rating
Instrumented Dart Impact @ 73° F	-	in-lbs	565
Falling Ball Impact @ 73° F	UL-746	in-lbs	900
Deflection Temperature @ 264 psi	ASTM D648	Deg. F	270
Modulus of Elasticity	ASTM D790	ksi	340
Temperature Range	-	Deg. F	-40 to 265
Flame Rating - UL	UL 94	-	5VA
Outdoor UV Exposure	UL	-	F1

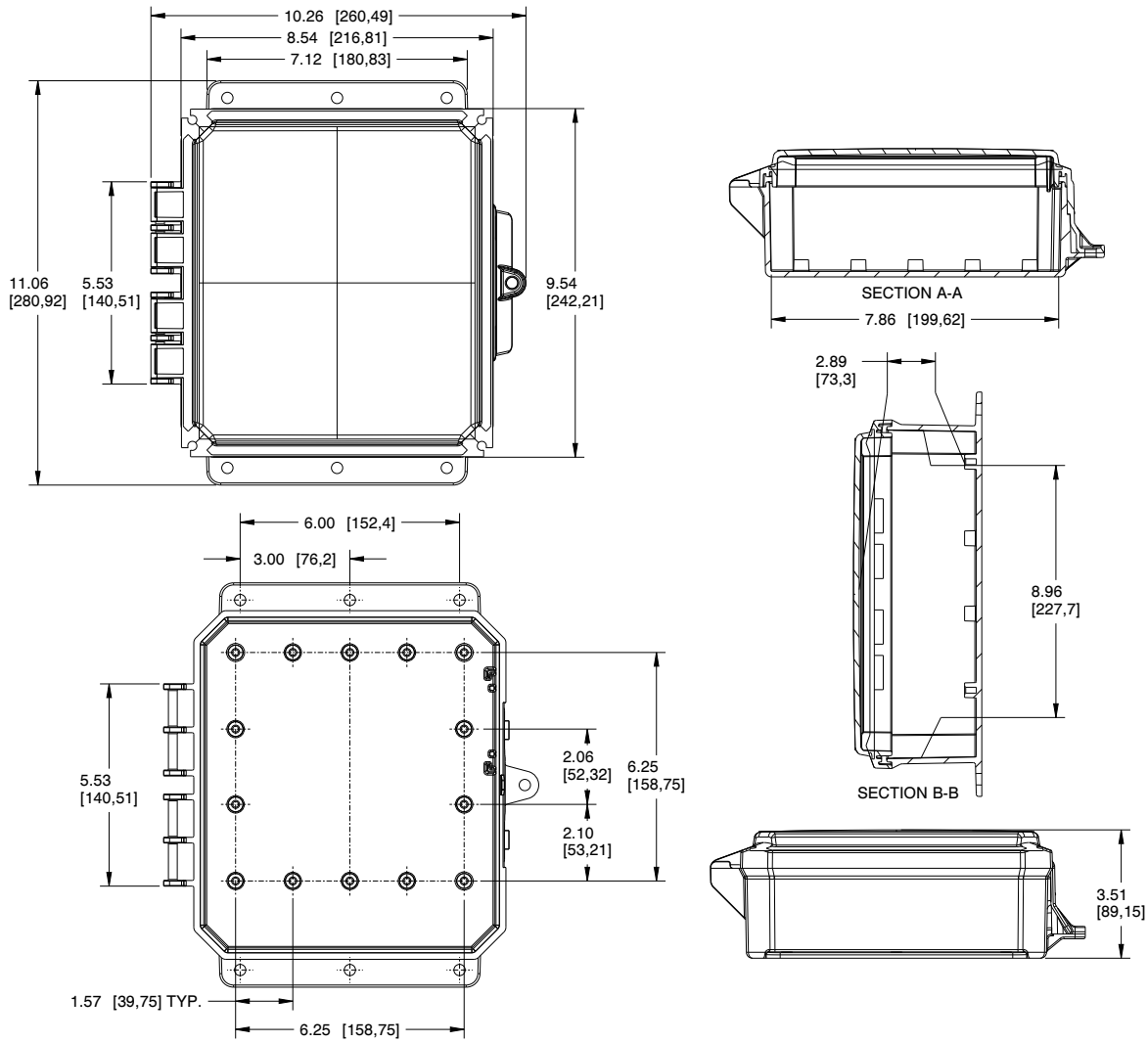


Part Number	4X IP66	6P IP68	Standard Hinge	Low Profile Hinge	Opaque Cover	Clear Cover	Integrated Mounting Flange	Integrated Locking Latch	Stainless Steel Locking Latch	Non-Metallic Locking Latch
★ P9082	✓	✓	✓		✓		✓	✓		
★ P9082C	✓	✓	✓			✓	✓	✓		

★ **POPULAR CONFIGURATIONS:** Most popular configurations are available for *QuickShip*. Please send requests to customerservice@integraenclosures.com to take advantage of our *QuickShip* option.



9X8X2 IMPACT® SERIES



[Bracketed dimensions in mm]

TORQUE SPECIFICATIONS:

Panels - #10 thread cutter pan head 18-8 SS (torque limit = 10 in lbs)

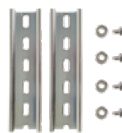
Register online to download detailed drawing files at www.integraenclosures.com

Accessories for 9x8x2 (For complete accessories, see pages 86-89)



Back Panels

ABP98-IMP - Aluminum panel
SBP98-IMP - Steel panel
PVCBP98-IMP - PVC panel



Din Rail

DIN 8-IMP - 2 rails, 4 screws



Mounting Screws

SP-10I - 10 Pieces self-tapping screws for bosses



Air Vents

VENT 3 - Aluminum louvered
VENT 2 - Outdoor labyrinth



Pole Mounting Kit

PMKG-28-IMP - 2" pole
PMKG-38-IMP - 3" pole
PMKG-48-IMP - 4" pole
PMKG-128-IMP - 12" pole



Cord Grips

IP68/NEMA 4X/6P rated
 See page 78 for more details and part numbers