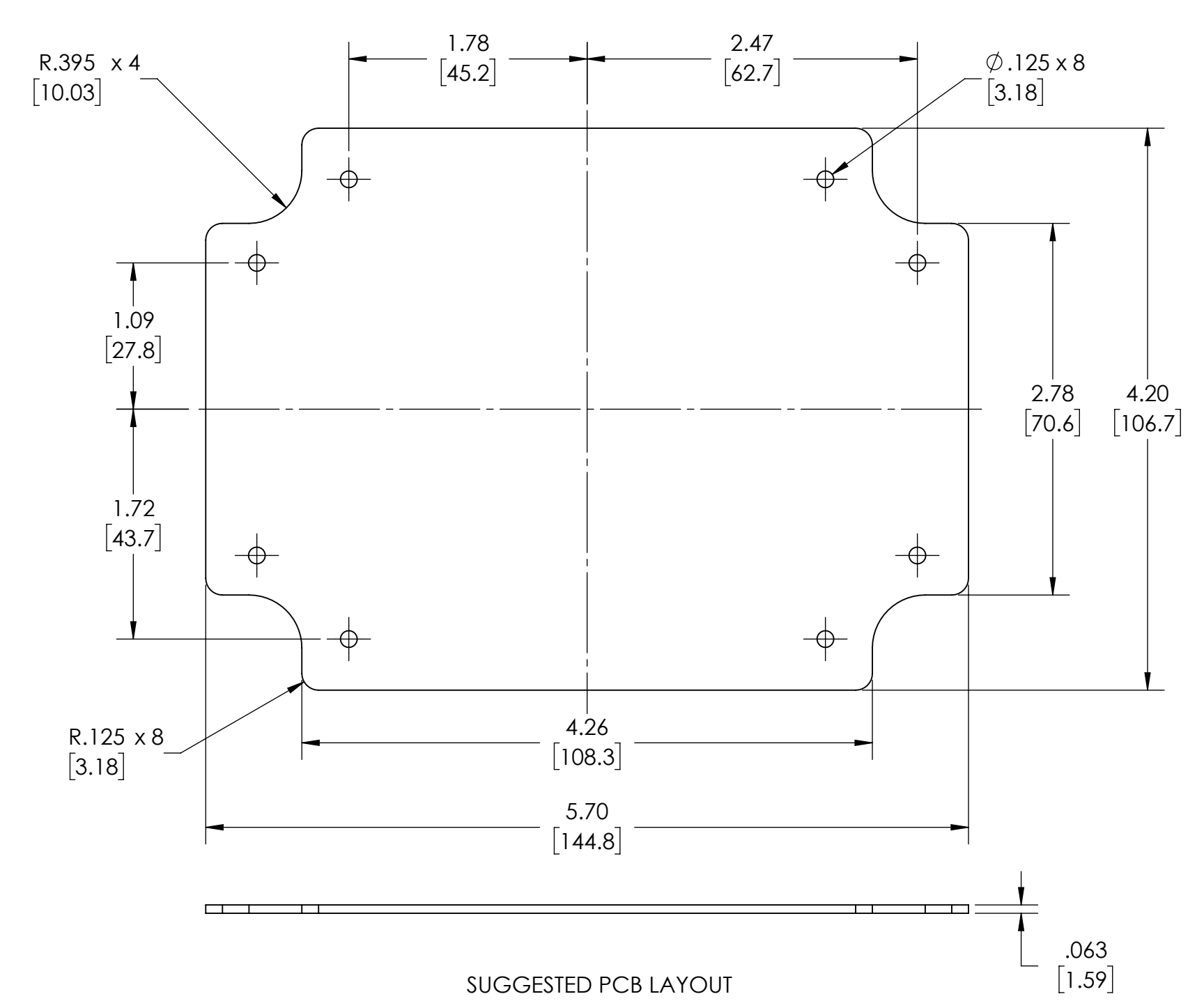
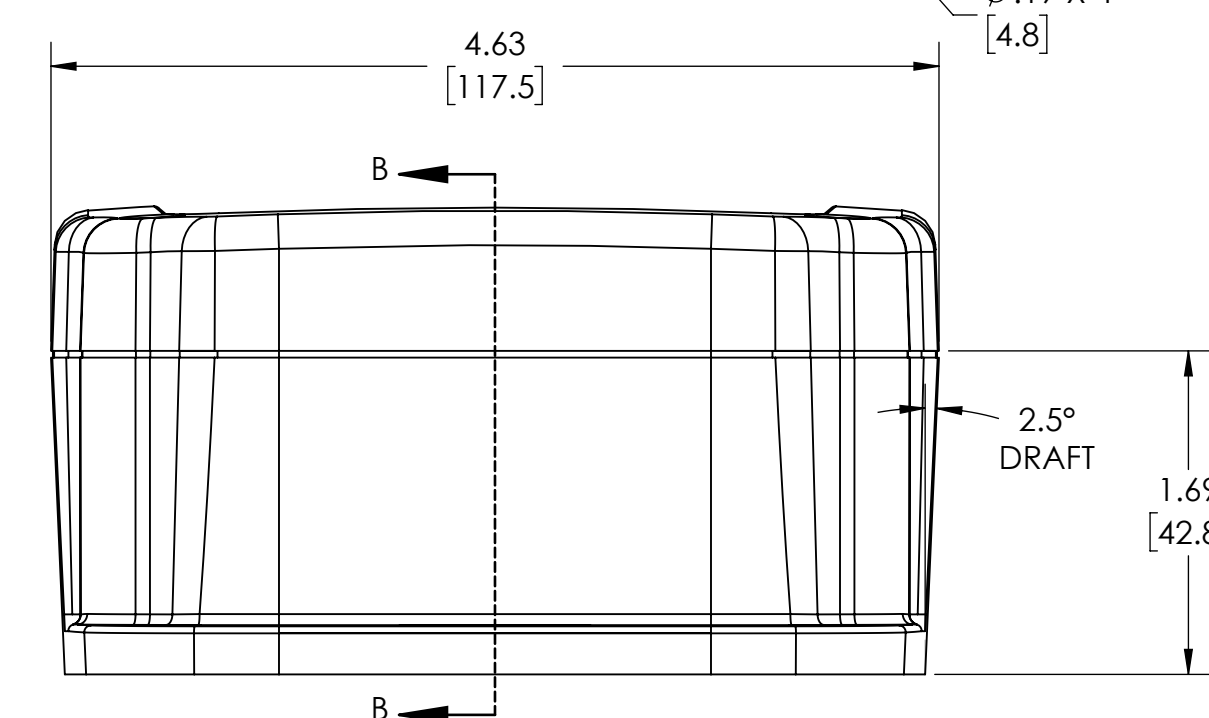
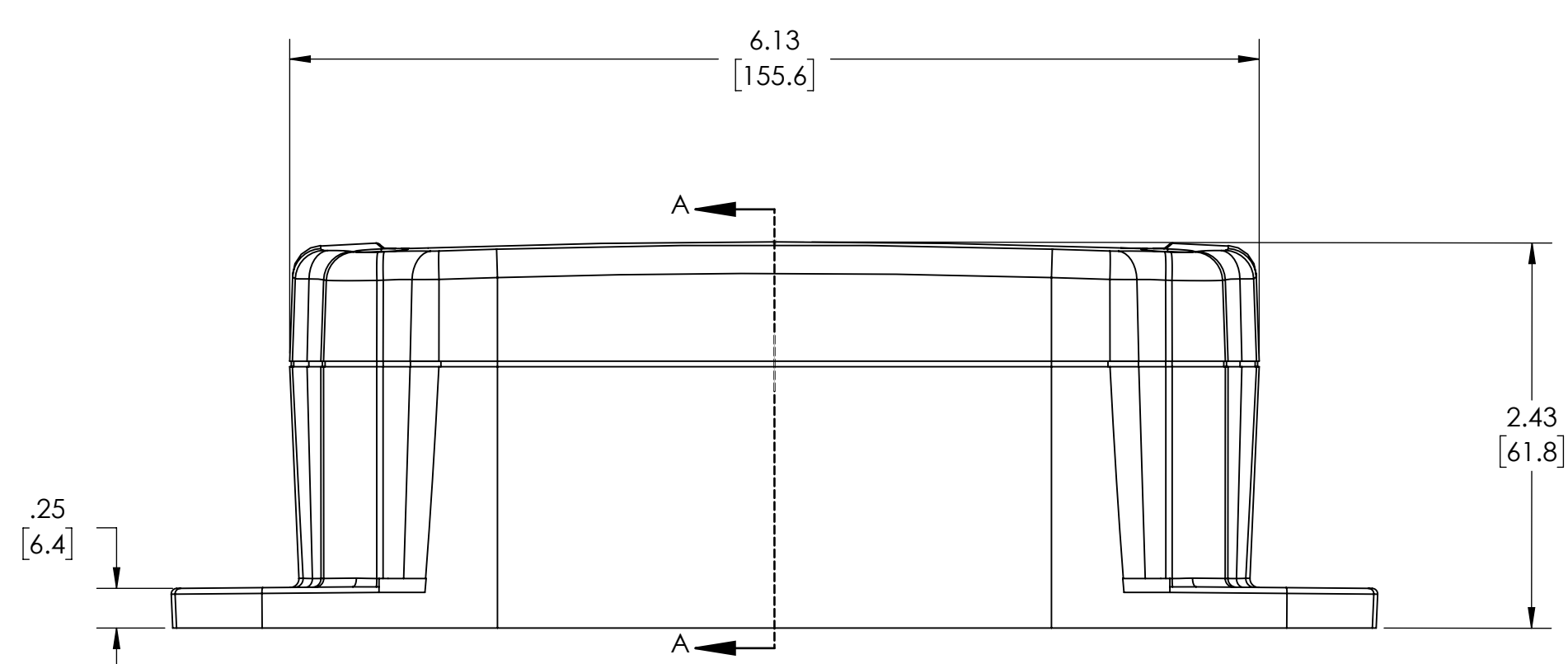
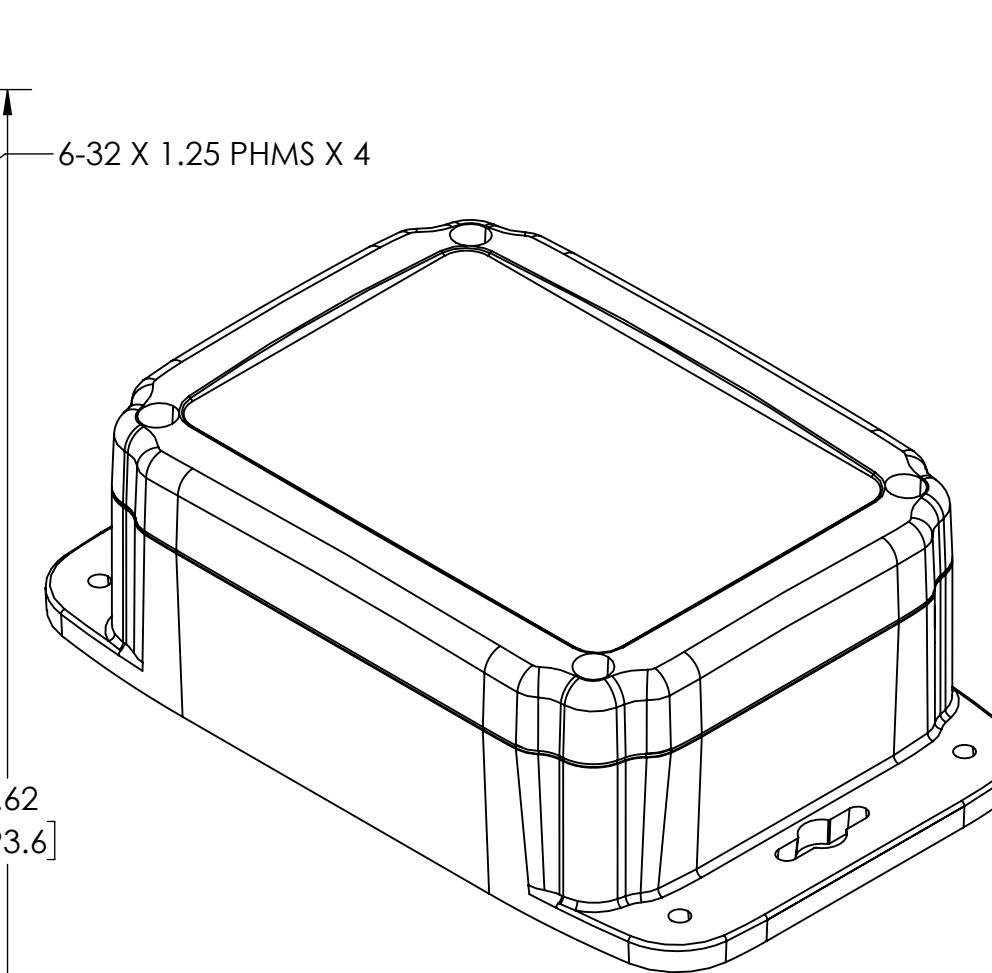
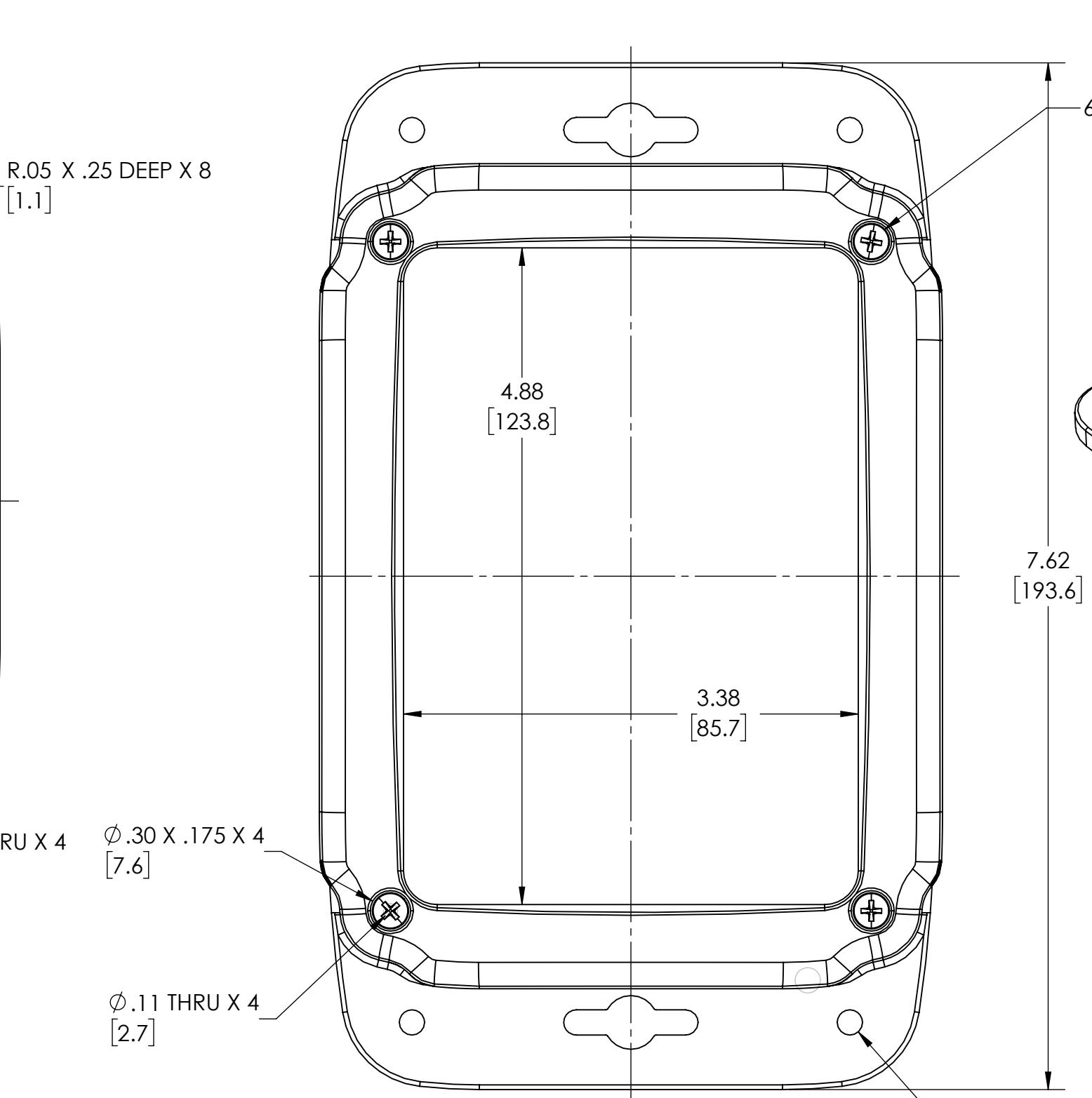
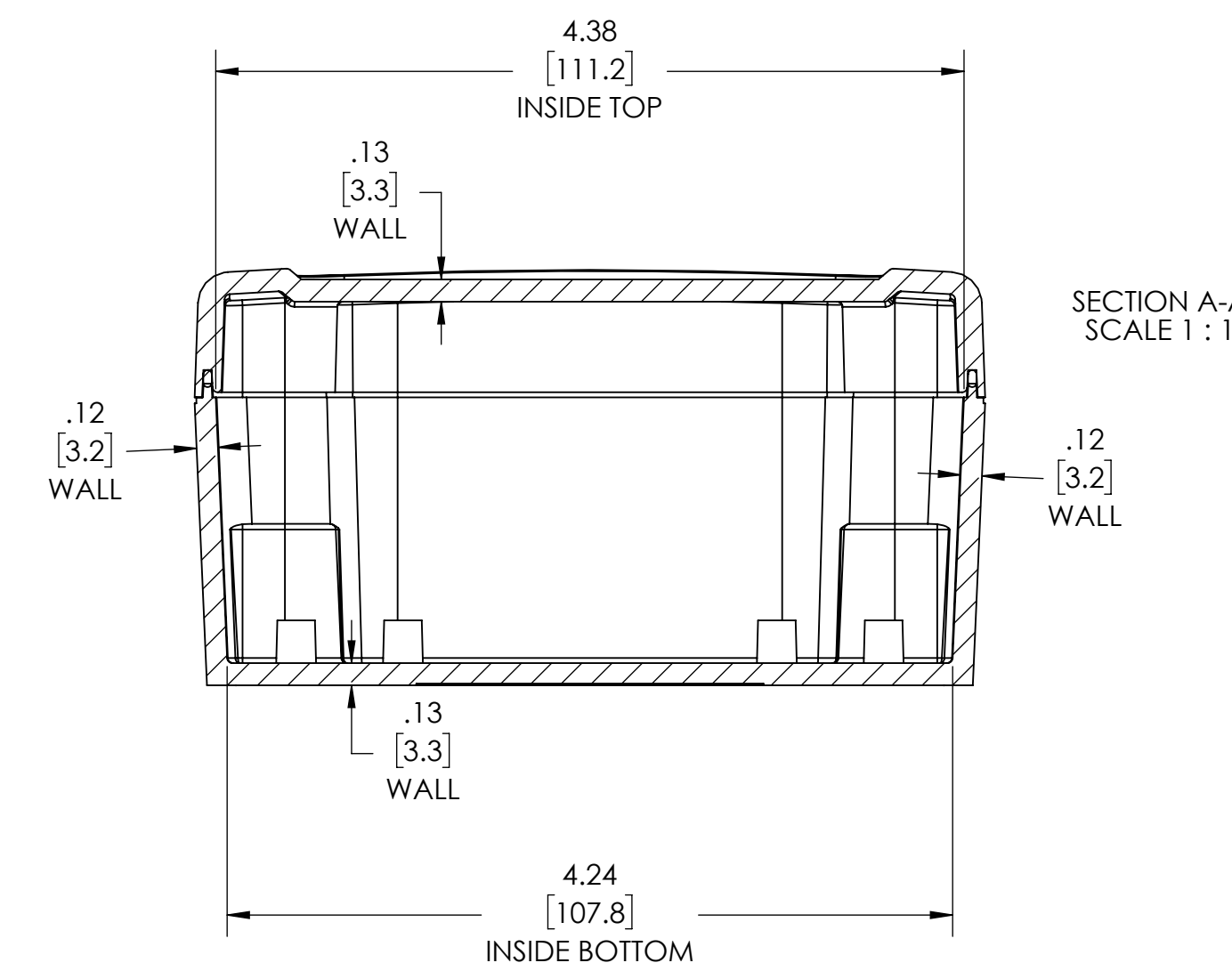
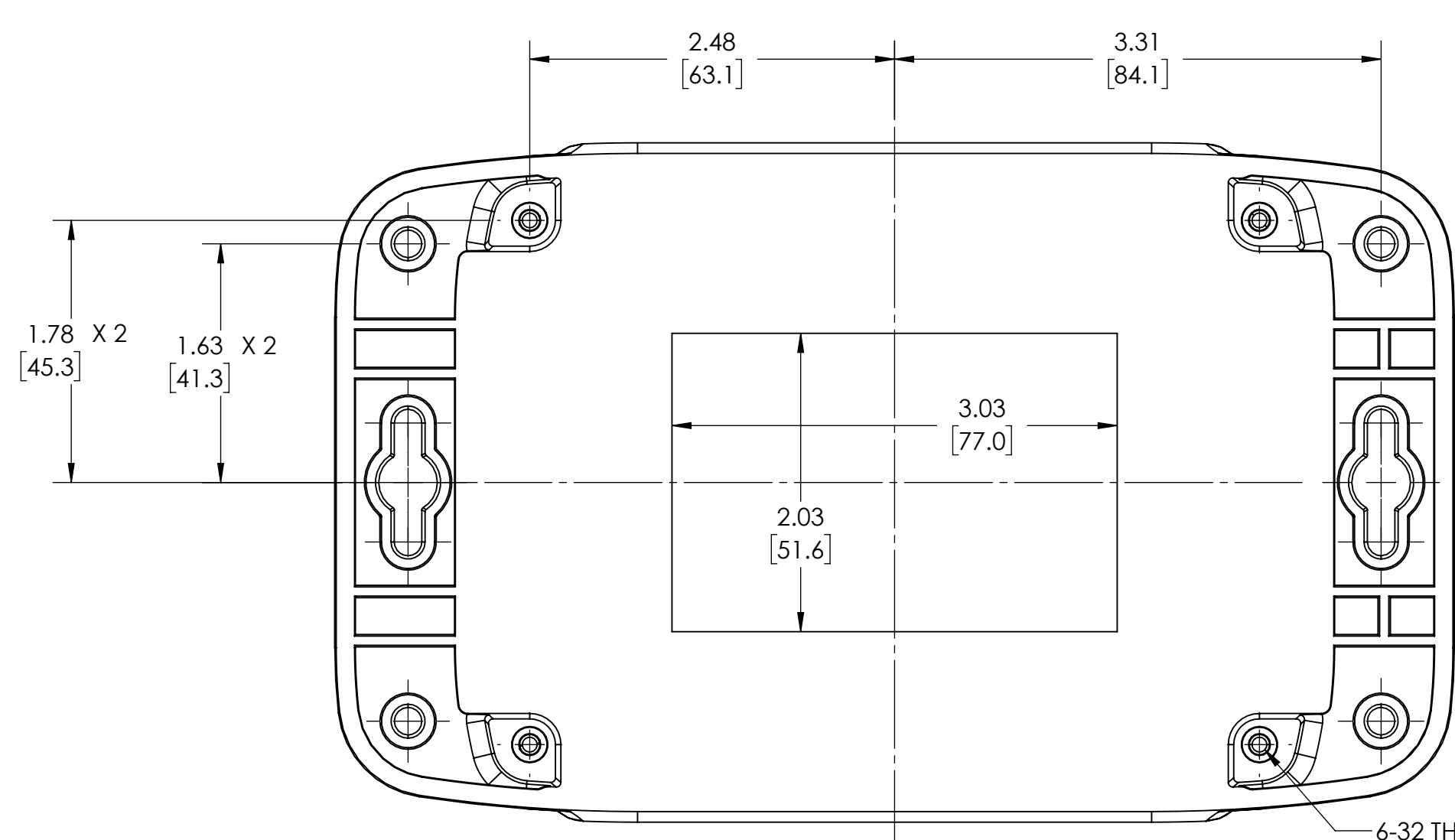


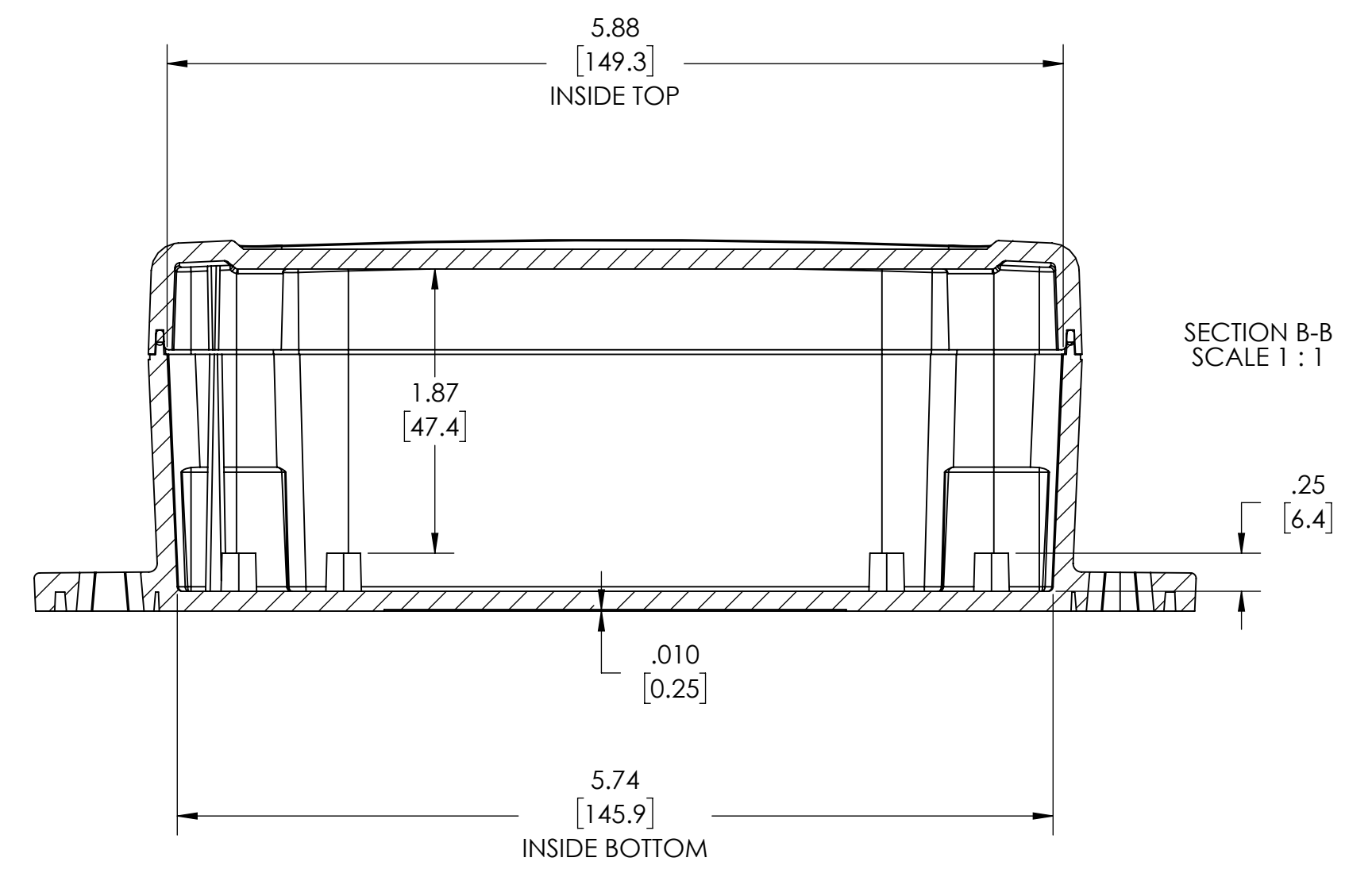
INSIDE VIEW OF BODY COVER NOT SHOWN



SUGGESTED PCB LAYOUT



SECTION A-A SCALE 1 : 1



SECTION B-B SCALE 1 : 1

- NOTES:
- MATERIAL:
BODY - PC LIGHT GRAY POLYCARBONATE
COVER - PC LIGHT GRAY POLYCARBONATE
CLEAR COVER (C) - PC CLEAR POLYCARBONATE
 - UL94 V-0 5VA FLAMMABILITY RATING. UL 508A, TYPE 1, 2, 4, 4X, 6, 6P, 12 & 13 (E352997) UL CERT OF COMPLIANCE
 - BOXES DESIGNED TO MEET FOLLOWING STANDARDS: NEMA 4X, 6P FOR INDOOR/OUTDOOR USE. MEETS IP66 & IP68 REQUIREMENTS.
 - PRE INSTALLED SILICONE GASKET IN COVER
 - COVER IS REMOVABLE AND ATTACHED BY 6-32 X 1.25 THREADED BRASS INSERTS ATTACHED TO THE BODY.
 - DIMENSIONS ARE INCH [MM]

| | | | | | | | |
|----------|--------------|-----|--------------------------|--------------|-----------------------|----------------|------------------|
| 4 | SCREWS-SS6-4 | - | 4-PACK: 6-32 X 1.25 PHMS | | | 1 | 1 |
| 3 | ML-46CG*08 | - | COVER WITH GASKET | UL94V-0 | CLEAR | - | 1 |
| 2 | ML-46CG*15 | - | COVER WITH GASKET | UL94V-0 | LIGHT GRAY (RAL 7035) | 1 | - |
| 1 | ML-46BF*15 | - | BASE W/ BRASS INSERTS | UL94V-0 | LIGHT GRAY (RAL 7035) | 1 | 1 |
| ITEM NO. | PART NO. | REV | DESCRIPTION | FLAME RATING | COLOR | ML-22F*15 /QTY | ML-22F*1508 /QTY |

BOM TABLE

DRAWING FOR REFERENCE
WE RESERVE THE RIGHT TO MAKE CHANGES TO OUR STANDARD PRODUCTS. PLEASE CONSULT WITH BUD INDUSTRIES PRIOR TO USING THIS DRAWING FOR DESIGN PURPOSE.