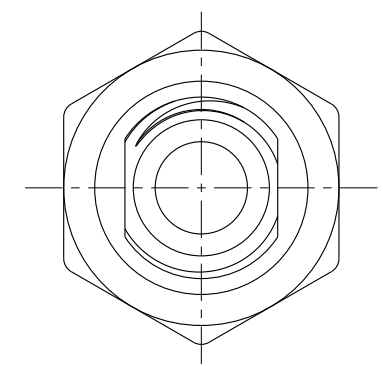
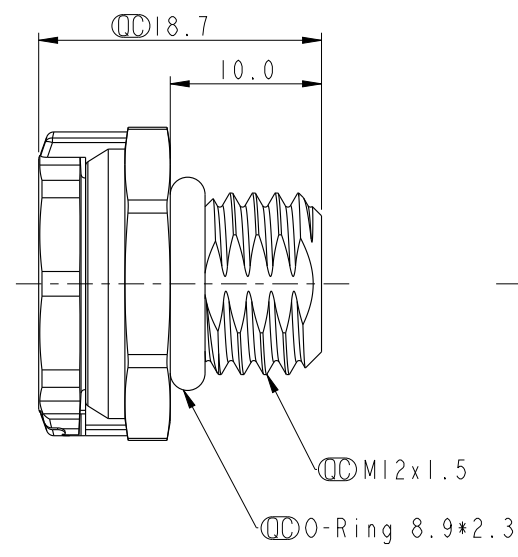
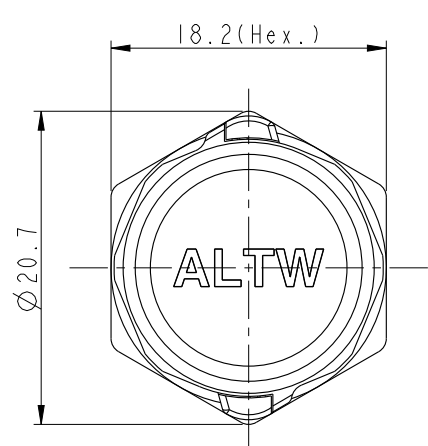
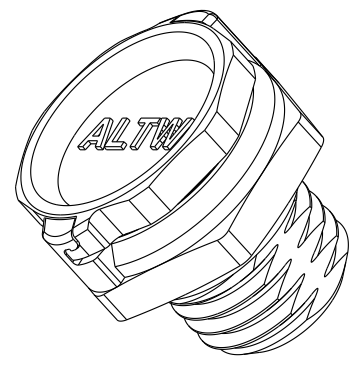


THIS DOCUMENT IS SUBJECT TO CHANGE WITHOUT NOTICE. IT IS CONFIDENTIAL AND A PROPERTY OF Amphenol LTW. DISCLOSURE TO THIRD PARTY HAS TO BE AUTHORIZED BY Amphenol LTW.

REV.	ECN NO.	DATE	SIGN	DESCRIPTION
B	LEN1860001	2018-06-01	Ethan	Update Note IP68 Spec
C	C180282	2018-10-22	Xiaofeng	Revisions On Drawings
D	C210614	2021/04/13	Xiaofeng	$\triangle$ D X3



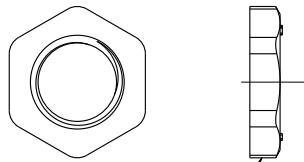
UNIT: mm		
TOLERANCE		
.X	±0.25	
.XX	±0.1	
.XXX	±0.05	
ANGLES	±1°	

TITLE VENT Metal-type		
SCALE 2:1	SIZE A4	SHEET 1 OF 2
REV. D	WC-REV. .0	$\text{\textcircled{C}}$ : Inspection item

**Amphenol LTW**  
安費諾亮泰企業股份有限公司

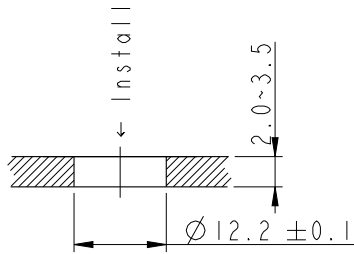
ITEM NO. VENT-MSINME-08001	DRAWN BY Xiaofeng	DATE 2018-10-22
DWG NO. VENT-MSINME-08001	CHECKED BY Feng Li	DATE 2018-10-22
CUSTOMER ALTW	APPROVED BY Jerry	DATE 2018-10-22

Screw Nut: Optional part  
 No.: APTM-AMBPA012-001  
 螺母作為選配件



M12\*1.5

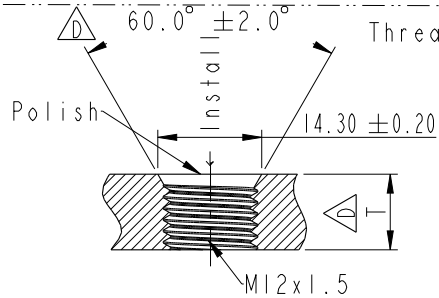
Through-hole



Recommended Panel Cut-Out

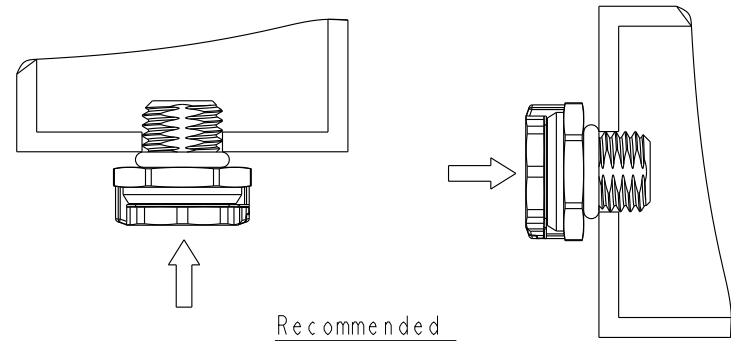
建議開孔尺寸

Threaded-hole



Recommended Panel Cut-Out

建議開孔尺寸



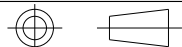
Recommended  
 installation orientation

建議安裝朝向

Note:

- \*  $\text{Ⓢ}$  Important Dimension.
- \*  $\text{Ⓜ}$  Waterproof Rate: IP68(Immersion for 60 minutes at a depth of 2 meter), IP69K
- \* Housing: Zinc Alloy, Nickel Plated
- \* Cap: Zinc Alloy, Nickel Plated
- \* Membrane: ePTFE, Oleophobic
- \* O-Ring: Silicone, Dark Gray
- \* Air Permeability: >1760ml/min @70mbar
- \*  $\text{ⓐ}$  Recommended Torque: 6.0~8.0 Kgf.cm

UNIT: mm



TITLE

VENT Metal-type

**Amphenol LTW**

安費諾亮泰企業股份有限公司

ITEM NO

VENT-MSINME-08001

DRAWN BY

Xiaofeng

DATE

2018-10-32

DWG NO

VENT-MSINME-08001

CHECKED BY

Feng Li

DATE

2018-10-22

CUSTOMER

ALTW

APPROVED BY

Jerry

DATE

2018-10-22

TOLERANCE  
 .X ±0.25  
 .XX ±0.1  
 .XXX ±0.05  
 ANGLES ±1°

SCALE 2:1

SIZE A4

SHEET 2 OF 2

REV. D

WC-REV. .0

$\text{Ⓢ}$ : Inspection item