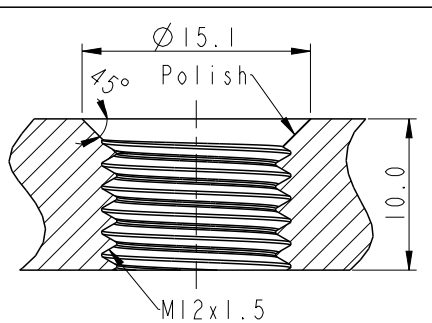
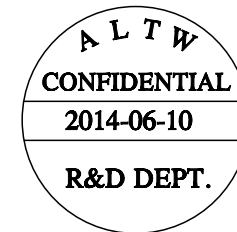
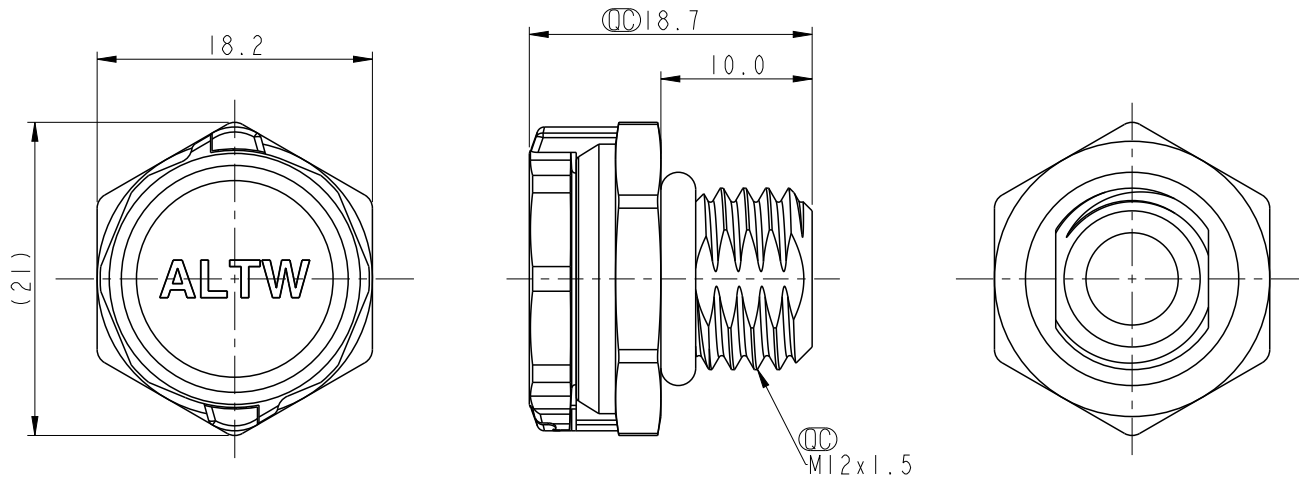
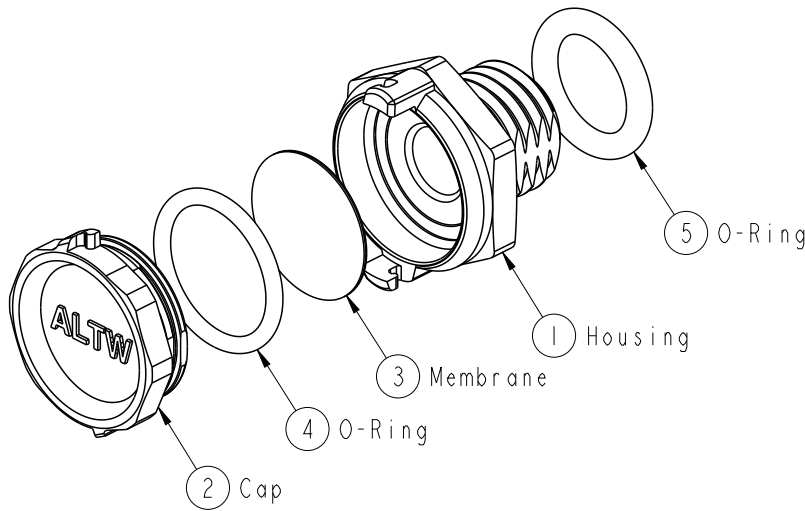


REV.	ECN NO.	DATE	SIGN	DESCRIPTION



Recommended Panel Cut-Out



Note:
 * \varnothing Important Dimension.
 * Waterproof Rate: IP68(Immersion for 30 minutes at a depth of 2 meter), IP69K
 * Housing: Zinc Alloy, Nickel Plated
 * Cap: Zinc Alloy, Nickel Plated
 * Membrane: PTFE
 * O-Ring: Silicone
 * Air Permeability: >1760ml/min @70mbar
 * Water Entry Pressure: >29KPa

UNIT: mm			TITLE VENT Metal-type
TOLERANCE .X ±0.25 .XX ±0.1 .XXX ±0.05 ANGLES ±1°	SCALE 2:1	SIZE A4	SHEET 1 OF 1
REV. A	WC-REV. A.16	\varnothing : Inspection item	

Amphenol LTW
 安費諾亮泰企業股份有限公司

ITEM NO VENT-BJ005	DRAWN BY Gaotong	DATE 2014-06-10
DWG NO VENT-BJ005	CHECKED BY Tony	DATE 2014-06-10
CUSTOMER ALTW	APPROVED BY Victor	DATE 2014-06-10

THIS DOCUMENT IS SUBJECT TO CHANGE WITHOUT NOTICE. IT IS CONFIDENTIAL AND A PROPERTY OF AMPHENOL LTW. DISCLOSURE TO THIRD PARTY HAS TO BE AUTHORIZED BY AMPHENOL LTW.