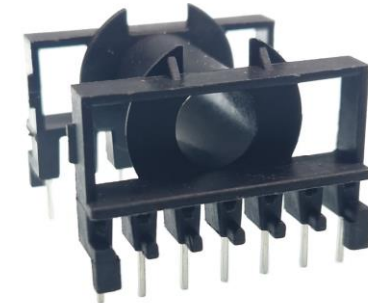
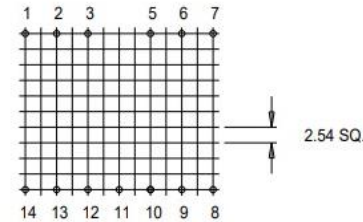
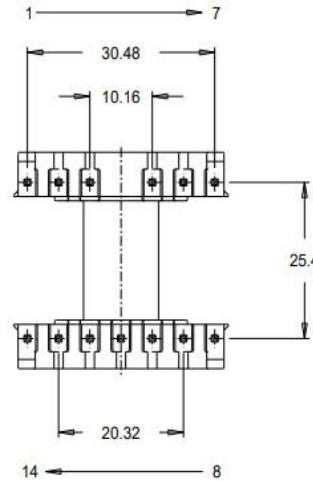
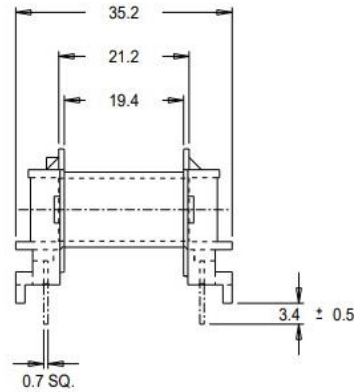
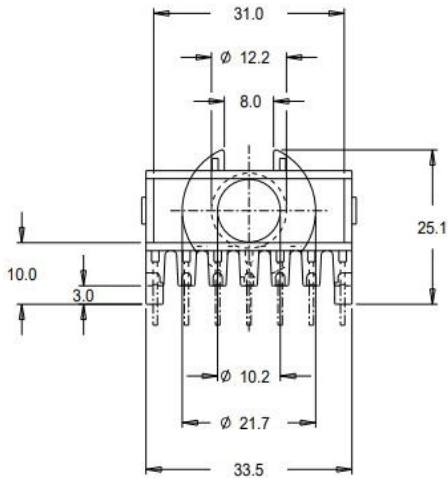




FD6970



Part Number FD6970	Part Weight (g) 6	Carton Quantity 896	Pinning Configuration TPB-SQ-070 1:2:3:5:6:7:8:9:10:11:12:13:14:
Order Code FD6970FR3BLK0001	Material Rynite FR530L	Carton Size (mm) 465x315x260	Pin Length (mm) (from standoff) 3.4
Part Description Bobbin ETD29 H 13P UL94V0	Material Datasheets	Related Items TCL-29	Terminal Pin Material Phosphor Bronze
Product Range ETD Range	UL Rating UL94V0	3D CAD Image	Compliance information

MILES - PLATTS

+44 (0)116 264 3850

milesplatts.co.uk

enquiries@milesplatts.co.uk