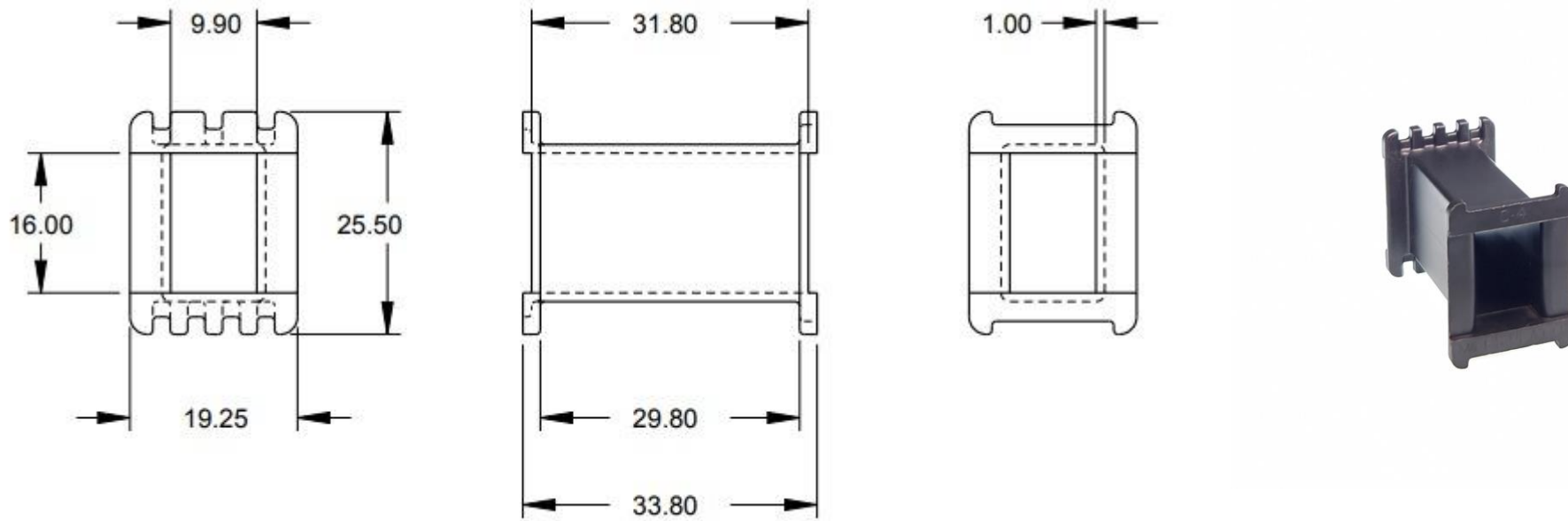




C00041



Part Number C00041	Part Weight (g) 4.00	Carton Quantity 1500	Pinning Configuration n/a
Order Code C00041FR3BLK	Material Rynite FR530L	Carton Size (mm) 465x315x260	Pin Lenth n/a
Part Description Bobbin C-4 AMCC UL94V0	Material Datasheets	Related Items n/a	Terminal Pin Material n/a
Product Range C Range	UL Rating UL94V0	3D CAD Image	Compliance information

MILES - PLATTS

+44 (0)116 264 3850

milesplatts.co.uk

enquiries@milesplatts.co.uk