

# LODESTONE PACIFIC

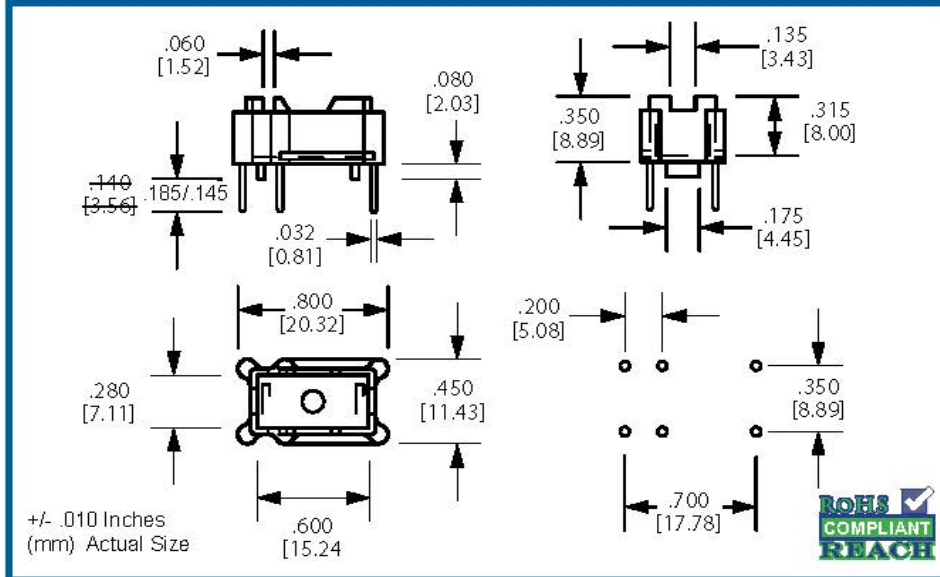


Phone: (800) 694-8089  
www.lodestonepacific.com  
E-mail: sales@lodestonepacific.com

## VTM600-6

**Material:** GFN (Natural)  
**UL Rating:** UL94-VO, Class F  
**6 Terminals:** CP Wire  
100% Tin Plate  
**Solderability:** Per MIL-STD-202  
Method 208  
**Package Method:** Bulk in Poly Bags  
See RoHS compliant PVC packaging trays  
on page 57.  
**Application:** For vertical mounting of  
wound toroids up to .600 inches in diam-  
eter in transformer, current sensing, and  
gate drive transformer applications.

Made in our China Factory



[Request a Sample](#)

[View Inventory](#)

[Request a Quote](#)

[Toroid Mount Selector](#)

[REACH Database](#)

[Coil Winder Database](#)