

LODESTONE PACIFIC

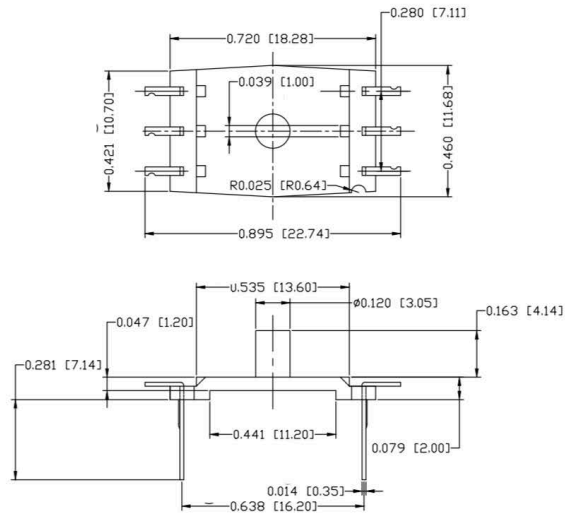


Phone: (800) 694-8089
www.lodestonepacific.com
E-mail: sales@lodestonepacific.com

HTM461-6

Material: GFN (Natural)
UL Rating: UL94-VO, Class F
6 Terminals: Brass Nickel Flash
100% Tin Plated
Solderability: Per MIL-STD-202
Method 208
Package Method: Bulk in Polybags
Application: Low profile horizontal
mounting of wound toroids up to .460
inches in diameter. Each size is avail-
able without a center post. MOQs apply.

Made in our China Factory



± .010 inches
[mm] [Not to Scale]

[Request a Sample](#)

[View Inventory](#)

[Request a Quote](#)

[Toroid Mount Selector](#)

[REACH Database](#)

[Coil Winder Database](#)