

LODESTONE PACIFIC



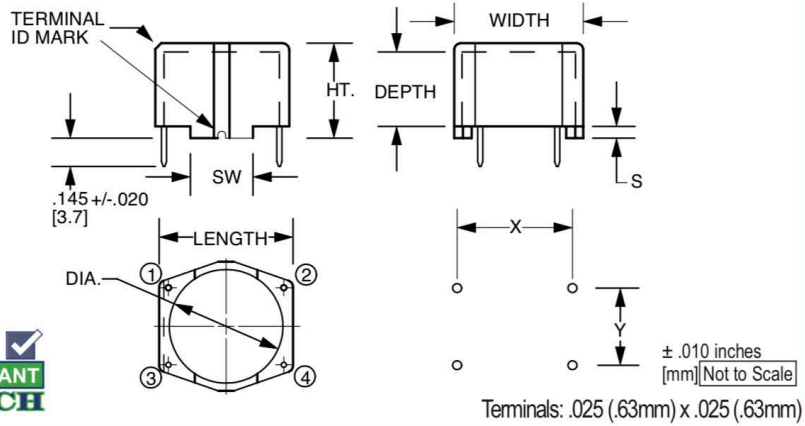
Phone: (800) 694-8089
 www.lodestonepacific.com
 E-mail: sales@lodestonepacific.com

HTC965-4

Material: GFN (Natural)
UL Rating: UL94-VO, Class F
4 Terminals: CP Wire 100% Tin
Solderability: Per MIL-STD-202 Method 208

Package Method: Bulk in Poly Bags
 See RoHS compliant PET packaging trays options on page 47.

Application: For enclosed horizontal mounting of wound toroids up to .970 inches in diameter.



PART NO.	LENGTH	WIDTH	HT.	DEPTH	DIA.	SW	S	X	Y
HTC965-0	1.080	1.080	.690	.550	.972	.472	.098	.984	.590
HTC965-4	[27.5]	[27.5]	[17.5]	[14.0]	[24.7]	[12.0]	[2.5]	[25.00]	[15.00]

[Request a Sample](#)

[View Inventory](#)

[Request a Quote](#)

[Toroid Mount Selector](#)

[REACH Database](#)

[Coil Winder Database](#)