

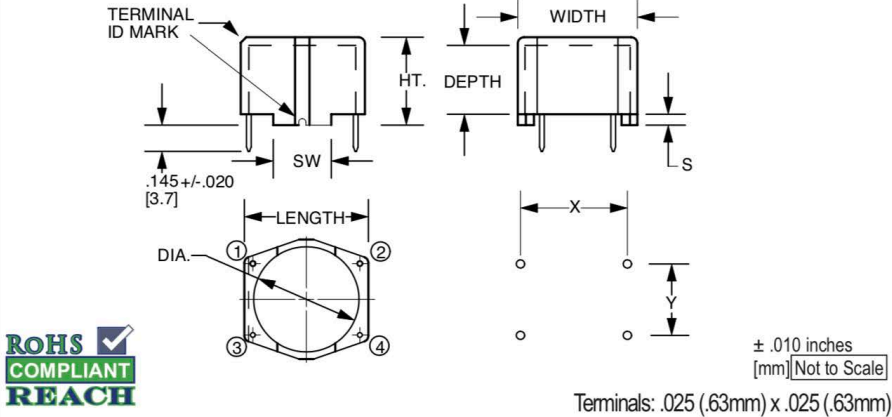
LODESTONE PACIFIC



Phone: (800) 694-8089
 www.lodestonepacific.com
 E-mail: sales@lodestonepacific.com

HTC583-4

Material: GFN (Natural)
UL Rating: UL94-VO, Class F
4 Terminals: CP Wire 100% Tin
 Also Available with No Terminals
Solderability: Per MIL-STD-202
 Method 208
Package Method: Bulk in Poly Bags
 See RoHS compliant PET packaging trays
 options on page 47.
Application: For enclosed horizontal
 mounting of wound toroids up to .600
 inches in diameter.



PART NO.	LENGTH	WIDTH	HT.	DEPTH	DIA.	SW	S	X	Y
HTC583-0	.689	.669	.492	.394	.602	.315	.060	.590	.394
HTC583-4	[17.5]	[16.9]	[12.50]	[10.0]	[15.3]	[8.0]	[1.5]	[15.00]	[10.00]

[Request a Sample](#)

[View Inventory](#)

[Request a Quote](#)

[Toroid Mount Selector](#)

[REACH Database](#)

[Coil Winder Database](#)