

BOARD-TO-BOARD GUIDE POST STANDOFF



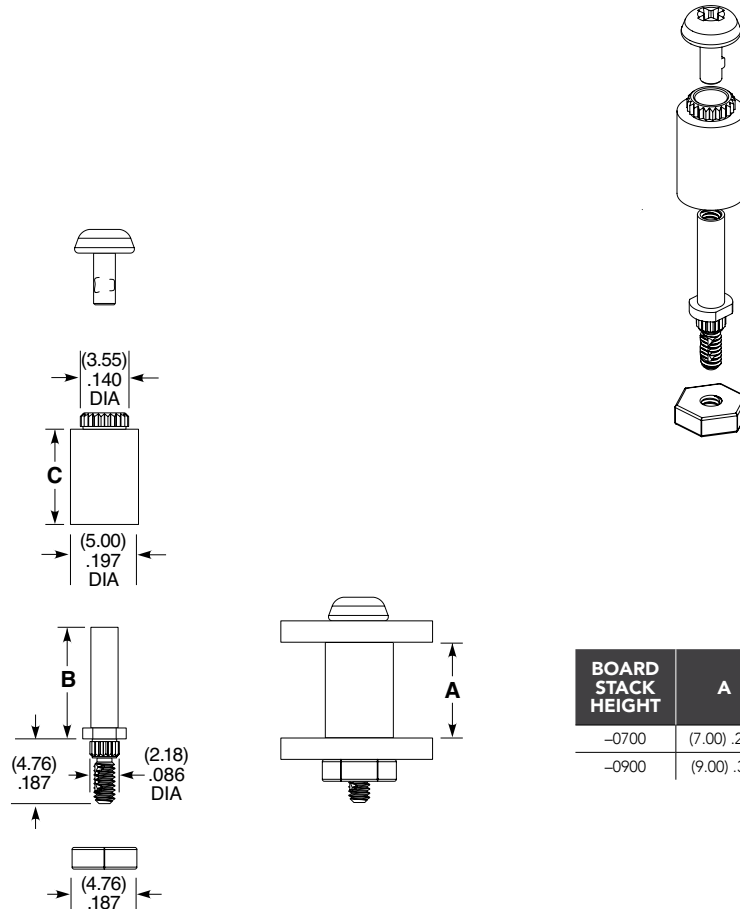
GPSOM SERIES

GPSOM
Use With:
NVAX, ADX6, UMPX,
SEAX, ERX8

SPECIFICATIONS

Material:
Stainless Steel with
black oxide finished

GPSOM	BOARD STACK HEIGHT	LEAD STYLE	MATERIAL	KIT OPTION
	Specify BOARD STACK HEIGHT from chart	-01 = Press-In with Nut	-01 = 303 Stainless Steel with MIL-C-13924 black oxide finish	Leave blank for kit -N = No hardware (Standoff only)



GPSOM-XXXX-01-01 SHOWN

Notes:
Standoffs to be used with
(1.57 mm) .062" min thick boards.
Threaded options PCB max
thickness of (3.00 mm) .118".

Some sizes, styles and options are
non-standard, non-returnable.

Components are to be packaged in separate bags unassembled.
Top and bottom components available for purchase separately, contact Samtec.