

**NOTES:**

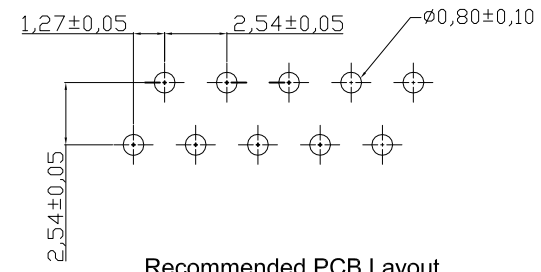
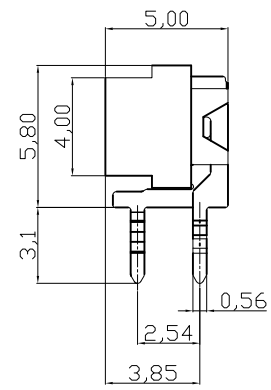
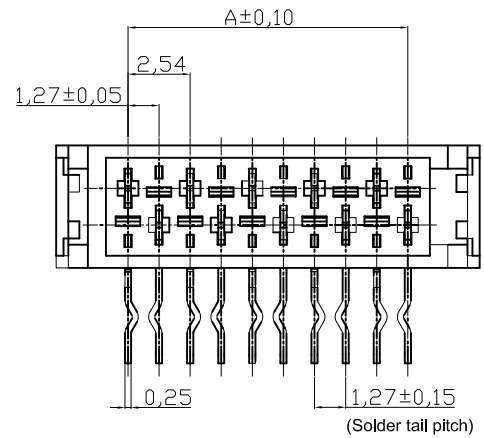
- 1. Insulation : Glass Filled Polyester UL 94-0  
Color Red
- 2. Contact : Phosphor Bronze
- 3. Plating : Matte Tin plated over Nickel
- 4. Contacts type: Right Angle Type
- 5. Packing: Tube

A = 1.27 x No. of Spaces  
 B = A + 5.87  
 C = A + 1.80  
 D = A + 3.27

\*Available in 4~26 circuits

A-32-xxH-130x

0 = Without Latch / With Polarization  
 L = With Latch



Recommended PCB layout

**RoHS compliant**

Scale	1:1						Date	Name	Customer-No.	
TOLERANCE						Drawn	05.08.2009	Dean		
.X	±0.30					Approved	15.02.2011	Gerber	ASSMANN WSW-No.	
.XX	±0.20								③ A-32-xxH-130x	
.XXX	±0.10	③	Add without latch	15.02.2011	Rale				Drawing-No.	
DIM	TOL	②	Correct the part number	15.09.2009	Dean	<b>ASSMANN</b> WSW components			ASS 3635 CO	rev03
X.°	±1°	①	Drawn	05.08.2009	Dean				Replace	SHEET
X.X°	±X°									
Angle	TOL	Id.	Modification	Date	Name					