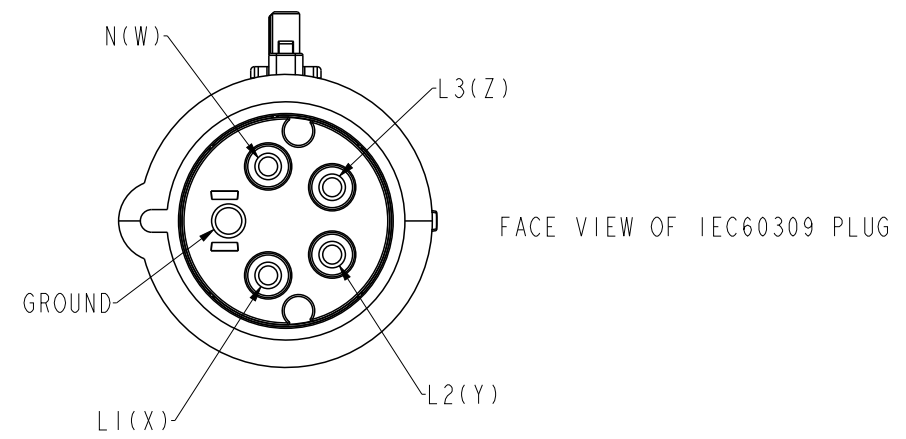
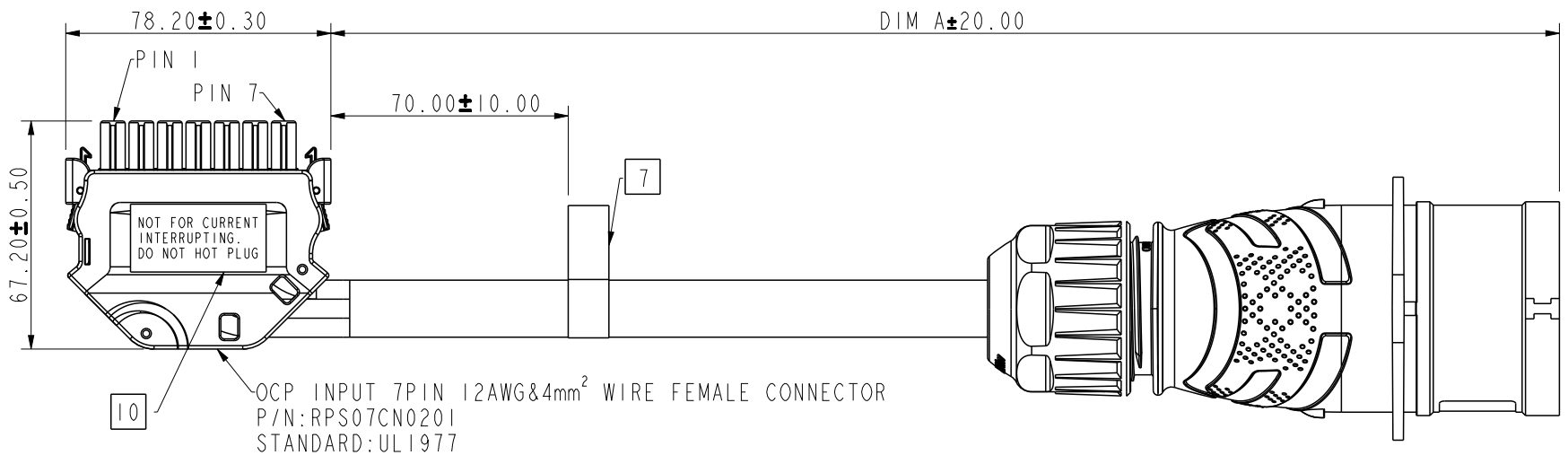
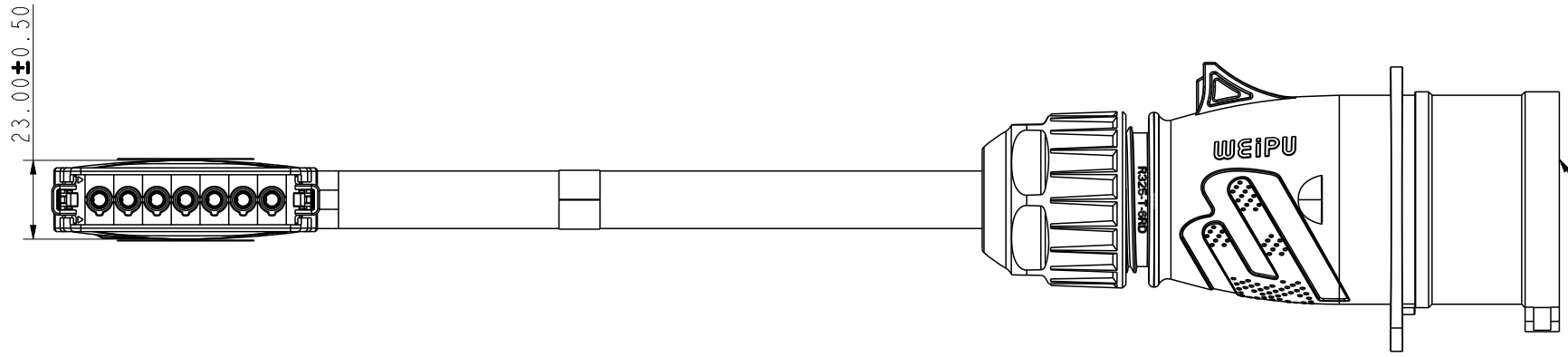
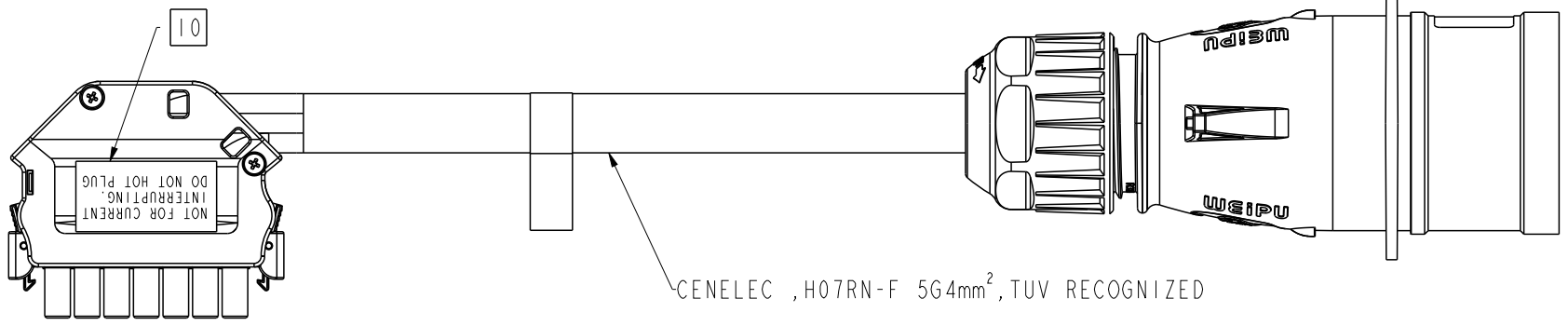


FG P/N LIST:

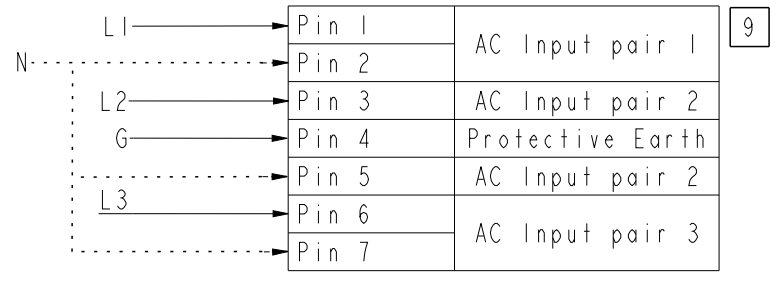
| P/N | Description | DIM A |
|--------------|---|--------|
| 10167313-001 | HARD COVER □ H07RN-F5G4 CABLE □ IEC60309 5pin plug connector □ L=3000mm | 3000mm |
| 10167313-002 | HARD COVER □ H07RN-F5G4 CABLE □ IEC60309 5pin plug connector □ L=3500mm | 3500mm |
| 10167313-003 | HARD COVER □ H07RN-F5G4 CABLE □ IEC60309 5pin plug connector □ L=500mm | 500mm |

| revision history | | | | |
|------------------|----------------|----------------------|----|------------|
| rev | ecn no | description | dr | date |
| A | ELX-CD-F3149-1 | FIRST RELEASE | WL | 2023/02/20 |
| B | ELX-CD-47861-1 | Add the 10167313-003 | WL | 2023/03/27 |
| - | - | - | - | YYYY/MM/DD |

- INTERPRET DIMENSIONS PER ASME Y14.5M-2009.
- ALL DIMENSIONS ARE MM.
- ALL MATERIALS AND MANUFACTURING METHODS USED MUST BE UL RECOGNIZED AND COMPLY WITH THE FOLLOWING:
IEC/EN61984 IEC AC CONNECTOR
UL1977 OUTPUT CONNECTOR TO SHELF
UL94-V0
IPC/WHMA-A-620 REV D
ROHS 2011/65/EU
- ALL DIMENSIONS SHOWN SHALL BE CONSIDERED CRITICAL TO FUNCTION AND CHECKED DURING FIRST ARTICLE INSPECTION.
- COMPONENT SHALL BE CLEAN AND FREE FROM FOREIGN MATERIAL. DIRT, OIL, GREASE, OR OTHER CONTAMINANTS ARE NOT ALLOWED.
- CONNECTORS ORIENTED AS SHOWN.
- MARK LABEL WITH P/N DASH AND REVISION LEVEL AS SPECIFIED ON PURCHASE ORDER (BOM) APPROXIMATELY WHERE SHOWN.
- ALL WIRE COLOR TO COMPLY WITH NATIONAL ELECTRIC CODE AND ALL CONNECTORS MUST BE UL RECOGNIZED.
- CONNECT NEUTRAL WIRE INTO 3 SEPARATE BRANCHES TO HIT PIN 2, PIN 5, & PIN 7 INSIDE THE HOOD OF THE CONNECTOR.
- PLACE LABEL STATING "NOT FOR CURRENT INTERRUPTING. DO NOT HOT PLUG" IN APPROXIMATE LOCATION SHOWN. LABEL TO BE PLACED ON BOTH SIDES OF CONNECTOR. FONT SIZE TO BE 10PT. LABEL COLOR TO BE YELLOW WITH BLACK FONT.



THE WIRING DIAGRAM



| | | | | | | | | | |
|---------------------------------------|---------|------------|------------|--------------|------------------------------|----------------|-----|------|----|
| spec ref | dr | Wesley Lee | 2022/08/26 | | mm | scale | 1:2 | size | A3 |
| tolerance std | eng | Wesley Lee | 2023/04/06 | | ecn no | ELX-CD-47861-1 | | | |
| TOLERANCES UNLESS OTHERWISE SPECIFIED | rivr | Nick Yang | 2023/04/13 | | rel level | Released | | | |
| | appr | Brade Zou | 2023/04/13 | | product family | CUSTOM POWER | | | |
| surface | linear | 0.X | ± | product no | 4-OR3-CABLE-ASSY-WHIP IEC309 | | | | |
| | | 0.XX | ± 0.50 | cat. no. | C 10167313 | | | | |
| | | 0.XXX | ± | rev | B | | | | |
| | angular | 0° | ± 3° | sheet 1 of 1 | | | | | |

Amphenol Power Solutions

© 2021 Amphenol Corporation