

GlobTek, Inc. www.globtek.com 186 Veterans Drive, Northvale, NJ 07647 Tel. (201) 784-1000 Fax (201) 784-0111	Drawing Title: Li-Ion Polymer Battery Pack; 7.4 Volts @ 3600mAh; Pack size 126.3*36.8*22mm (max) ; O/P connector AMP 5787526-1. Cell is UL1642 approved.	
	Model No. BL3600F4433482S4PH6G	
	Part No./Ordering No. BL3600F4433482S4PH6G	Rev A5

In Addition to GlobTek Inc.'s renewed ISO9001:2015 - Quality Management System Certification, GlobTek Inc. is now certified to:

ISO13485:2016 - Medical Devices Quality Management System Certification

ISO14001:2015 - Environmental Management System Certification

ISO Certificates are available online at <https://www.globtek.com/iso-certificates/>

By customer signing or accepting this document, they agree to acknowledge, constantly monitor, and accept the Guidelines and cautions, Safety Notes, and Safety Precautions published on GlobTek's website <https://www.globtek.com/safety-cautions/>

GlobTek offers a 5-year warranty on workmanship and electrical components assembly on all new battery pack products excluding the battery cells themselves which are covered by the Manufacturer's original warranty at their published warranty period. Please refer to the manufacturer's manufacturer's warranty policy for cells. For GlobTek brand cells, GlobTek provides a 12-month warranty for Li-Ion batteries. The warranty period is based upon the expectation that the battery will deliver 80% of its initial capacity after 300 cycles at low to moderate power loads. High power loads may cause a battery to reach 80% of initial capacity in less than the 12-month warranty period. Li-Ion batteries will continue to operate below the 80% capacity threshold; however, the capacity (run time) delivered between charges will continue to decrease.

The purchaser of GlobTek battery pack products (Customer) agrees that they are a "Sophisticated user" who understands battery technology and that it is their sole responsibility to determine suitability of the product described for their application and to take precautions for protection against any hazards attendant to the handling and use of the product. GlobTek products are only designed for professional use and integration by companies into their products and may not be used by consumers directly. GlobTek provides batteries and battery packs as a component of an end system.

The acceptance of GlobTek specifications, the information on this page and use of the product(s) described in this or other GlobTek documents indicate that the product was qualified for use (tested and/or sample waiver signed), and the acceptance and binding of the customer to GlobTek TERMS AND CONDITIONS (attached to the end of this document), which supersede all other agreements, terms and conditions <https://www.globtek.com/terms-and-conditions/>

Lithium Ion batteries are inherently dangerous. Continuous usage or charging without allowing the battery to discharge is a hazard.

**FIRE HAZARD:** This like all Li-Ion battery packs must be regularly discharged and charged. it is not recommended to be kept on permanent full charge and in a full state of charge.

**Footnote:**

GlobTek Inc. will not be liable for the safety and performance of these power supplies/battery packs if unauthorized access and repair occurs. End user should consult applicable UL, CSA or EN standards for proper installation instruction.

**Limitation of Use:**

GlobTek products are intended for use with commercial, medical, and/or industrial equipment only. GlobTek product are not authorized for use as mission critical components in life support hazardous environment, nuclear or aircraft applications without prior written approval from the CEO of GlobTek Inc. Contents of this document are subject to change without prior notice.

**Customer Approval of Specification:**

Please approve, sign and send back to GlobTek so we can complete order processing.

A delay in receipt of this form will delay delivery schedule.

Company Name: _____	Customer P/N: _____
Quote Number: _____	Date: _____
Authorized Representative Name: _____	Authorized Representative Signature: _____

GlobTek, Inc. www.globtek.com 186 Veterans Drive, Northvale, NJ 07647 Tel. (201) 784-1000 Fax (201) 784-0111	Drawing Title: Li-Ion Polymer Battery Pack; 7.4 Volts @ 3600mAh; Pack size 126.3*36.8*22mm (max) ; O/P connector AMP 5787526-1. Cell is UL1642 approved.	
	Model No. BL3600F4433482S4PH6G	
	Part No./Ordering No. BL3600F4433482S4PH6G	Rev A5

## REVISION HISTORY

REV	DESCRIPTION	SUB	DATE	APPROVED
A5	Update packing drawing	QA	06/08/2023	QA
A4	Update TOTAL PACK IMPEDANCE to $\leq 300.00m\Omega$ under "BATTERY PACK INFORMATION"	QA	06/05/2023	QA
A3	Update TOTAL PACK IMPEDANCE to $\leq 300.00m\Omega$	QA	05/30/2023	QA
A2	Update Total packImpedance $\leq 300.00m\Omega$	QA	05/17/2023	QA
A1	Update engineering model no. to BL3600F4433482S4PH6G and update label	QA	04/24/2023	QA
A	Initial release	QA	10/18/2022	QA

### BATTERY PACK INFORMATION

TECHNOLOGY	Battery Li-Ion
PROTECTION MODULE (PCM):	
PACK NOMINAL VOLTAGE (V)	7.40
PACK RATED CAPACITY (mAh)	3600.00
WATT-HOUR RATING (Wh)	26.64
INGRESS PROTECTION:	
LABEL SPECS	BL3600F4433482S4PH6G Label,L-1671
SPECIAL BARCODE LABEL MATERIALNo	
USER MANUAL	
PACK SPEC	BL3600F4433482S4PH6G packing

GlobTek, Inc. www.globtek.com 186 Veterans Drive, Northvale, NJ 07647 Tel. (201) 784-1000 Fax (201) 784-0111	Drawing Title: Li-Ion Polymer Battery Pack; 7.4 Volts @ 3600mAh; Pack size 126.3*36.8*22mm (max) ; O/P connector AMP 5787526-1. Cell is UL1642 approved.	
	Model No. BL3600F4433482S4PH6G	
	Part No./Ordering No. BL3600F4433482S4PH6G	Rev A5

Notes/Modifications/Customizations (notes in this section supersede the values shown in the standard spec)

DIMENSIONS ARE IN MM UNLESS SPECIFIED OTHERWISE

**Recommended Charger:**

Product part number: GTC90601-1C2S1800AMP

Datasheet: <https://globtek.secure.force.com/spec/pdf/2394636/U5M2812439>

DigiKey Link:

[https://www.digikey.com/en/products?mpart=1939-GTC90601-1C2S1800AMP-ND&v=1939&utm\\_source=1939&utm\\_medium=supplier&utm\\_campaign=](https://www.digikey.com/en/products?mpart=1939-GTC90601-1C2S1800AMP-ND&v=1939&utm_source=1939&utm_medium=supplier&utm_campaign=)

GlobTek, Inc. www.globtek.com 186 Veterans Drive, Northvale, NJ 07647 Tel. (201) 784-1000 Fax (201) 784-0111	Drawing Title: Li-Ion Polymer Battery Pack; 7.4 Volts @ 3600mAh; Pack size 126.3*36.8*22mm (max) ; O/P connector AMP 5787526-1. Cell is UL1642 approved.	
	Model No. BL3600F4433482S4PH6G	
	Part No./Ordering No. BL3600F4433482S4PH6G	Rev A5

## ELECTRICAL SPECIFICATIONS

### GENERAL SPECIFICATION:

#### BATTERY WITH SAFETY CIRCUIT AND PLASTIC HOUSING

CELL: JHY433248

PCM: BQ27542(fuel gauge)

NTC: 10K

ID: N/A

CONFIGURATION: 2S4P

WEIGHT: TBD

### 2.ELECTRICAL SPECIFICATION FOR PACK:

RATED CAPACITY: 3600mAh (Typical); 3400mAh (Minimum)

NOMINAL VOLTAGE: 7.4V

WATT-HOUR RATING: 26.64Wh

CHARGING METHOD: CONSTANT CURRENT + CONSTANT VOLTAGE

MAX. CHARGE VOLTAGE [V]: 8.4V

CHARGE CURRENT: 0.2C(Standard); 0.5C (Rapid)

RECOMMENDED CHARGE CUT OFF: 0.02C OR TIMER 6.5H

MAX. CONTINUOUS DISCHARGE CURRENT: 0.8C Max

#### PROPRIETARY INFORMATION

PROPRIETARY OF GLOBTEK, INC. ANY REPRODUCTION, DISCLOSURE OR USE OF THIS DRAWING, IN WHOLE OR IN PART, IS HEREBY PROHIBITED EXCEPT AS SPECIFIED IN WRITING BY GLOBTEK, INC. © GlobTek, Inc. 2022 - 2024

GlobTek, Inc. www.globtek.com 186 Veterans Drive, Northvale, NJ 07647 Tel. (201) 784-1000 Fax (201) 784-0111	Drawing Title: Li-Ion Polymer Battery Pack; 7.4 Volts @ 3600mAh; Pack size 126.3*36.8*22mm (max) ; O/P connector AMP 5787526-1. Cell is UL1642 approved.	
	Model No. BL3600F4433482S4PH6G	
	Part No./Ordering No. BL3600F4433482S4PH6G	Rev A5

RECOMMENDED DISCHARGE CUT OFF:	6V
INTERNAL IMPEDANCE:	≤300 mΩ
EXP. CYCLE LIFE:	>500 CYCLES > 80% OF INITIAL CAP. (0,5C/0,5C)
CELL PROTECTION:	
OVER CHARGE DETECTION:	4.25 ±0.03V  (0.8 TO 1.2 SEC. DELAY, RESUME 4.1±0.03V)
OVER DISCHARGE DETECTION:	3.0 ±0.05V  (100 to 160msec. DELAY, RESUME 3.0±0.05V)
OVER CURRENT DETECTION:	3.5A to 8.0A (6 to 15msec. DELAY)
PRECONDITIONED AT THE FACTORY	YES
3. AMBIENT CONDITIONS	
TEMPERATURE RANGE:	
CHARGE:	0 TO +45°C
DISCHARGE:	-20 TO +60°C
CHARGE RETENTION/STORAGE [%]:	1 YEAR AT -20 TO +20°C >80%
	6 MONTHS AT -20 TO +40°C >80%
	1 MONTH AT -20 To +60°C >80%

GlobTek, Inc. www.globtek.com 186 Veterans Drive, Northvale, NJ 07647 Tel. (201) 784-1000 Fax (201) 784-0111	Drawing Title: Li-Ion Polymer Battery Pack; 7.4 Volts @ 3600mAh; Pack size 126.3*36.8*22mm (max) ; O/P connector AMP 5787526-1. Cell is UL1642 approved.	
	Model No. BL3600F4433482S4PH6G	
	Part No./Ordering No. BL3600F4433482S4PH6G	Rev A5

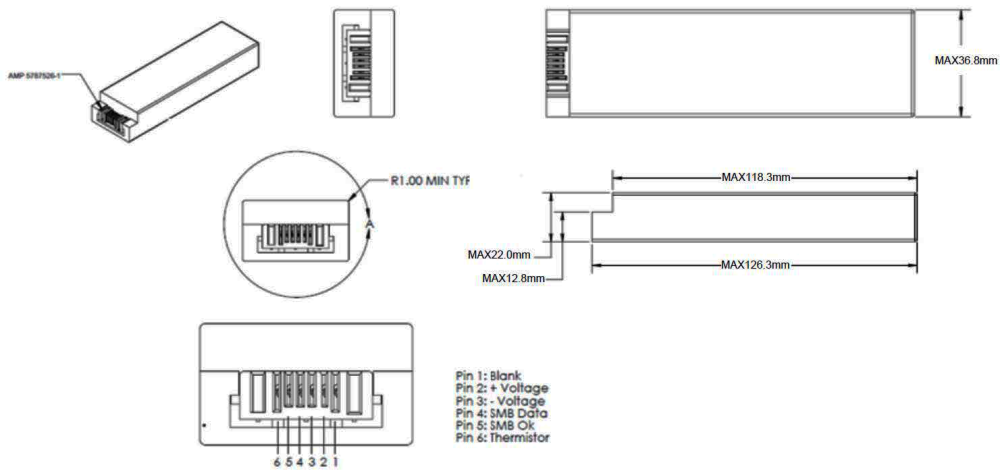
HUMIDITY:	60 ±25%RH
4.ENVIRONMENTAL AND SAFETY	
Please review quarterly and follow <a href="#">HANDLING AND SAFETY PRECAUTIONS FOR Lilon &amp; LiPolymer.</a>	
5. CELL REGULATORY APPROVALS:	
UL:	UL1642
IEC 61960 Cell designation and marking:	2ICP5/32/48-4
6. BATTERY PACK APPROVALS:	
RoHS:	COMPLIES WITH EU 2002/95/EC AND CHINA SJ/T 11363-2006
CE Mark:	COMPLIES WITH 2013/56/EU EN61000-6-1:2007, EN61000-6-3:2007
TRANSPORTATION:	PACK DESIGNED TO MEET un38.3
UL:	Design to meet UL2054, IEC62133
<p>TO ADDRESS SYSTEM-LEVEL EMI CONCERNS, FERRITE CHOKES/BEADS MAY BE ADDED/REVISED UPON REQUEST. A SAMPLE KIT OF GLOBTEK'S STANDARD FERRITES IS AVAILABLE UNDER GLOBTEK P/N: EMI-MITIGATION-KIT1</p> <p>FOR ADDITIONAL INFORMATION, PLEASE READ OUR WHITE PAPER AT: <a href="https://r.globtek.info/3QeaqtD">https://r.globtek.info/3QeaqtD</a></p>	

GlobTek, Inc.  
 www.globtek.com  
 186 Veterans Drive,  
 Northvale, NJ 07647  
 Tel. (201) 784-1000  
 Fax (201) 784-0111

Drawing Title: Li-Ion Polymer Battery Pack; 7.4 Volts @ 3600mAh; Pack size 126.3*36.8*22mm (max) ; O/P connector AMP 5787526-1. Cell is UL1642 approved.	
Model No. BL3600F4433482S4PH6G	
Part No./Ordering No. BL3600F4433482S4PH6G	Rev A5

Mechanical drawing

For specific connector information see 'Outputcord' or 'Deviation' section



GlobTek, Inc. www.globtek.com 186 Veterans Drive, Northvale, NJ 07647 Tel. (201) 784-1000 Fax (201) 784-0111	Drawing Title: Li-Ion Polymer Battery Pack; 7.4 Volts @ 3600mAh; Pack size 126.3*36.8*22mm (max) ; O/P connector AMP 5787526-1. Cell is UL1642 approved.	
	Model No. BL3600F4433482S4PH6G	
	Part No./Ordering No. BL3600F4433482S4PH6G	Rev A5

**OUTPUT CORD AND CONNECTOR:**

**AMP 5787526-1/C69398**

ACTUAL CONNECTORS, OVERMOLDS, FERRITES MAY VARY SLIGHTLY FROM THE PICTURE BELOW

CABLE TYPE \_\_\_\_\_

CABLE LENGTH (mm) \_\_\_\_\_

CABLE TOLERANCE (mm) \_\_\_\_\_

WIRE GAUGE (AWG) \_\_\_\_\_

CONDUCTORS \_\_\_\_\_

HANK DIMENSION (mm) \_\_\_\_\_ N/A

CABLE / CONNECTOR OVERMOLD COLOR \_\_\_\_\_

PLUG TYPE AMP 5787526-1, Connector RCP 6 POS 2mm Solder RA Side Entry Thru-Hole Tube or equivalent

OUTPUT CONNECTOR GENDER not applicable



GlobTek, Inc.  
 www.globtek.com  
 186 Veterans Drive,  
 Northvale, NJ 07647  
 Tel. (201) 784-1000  
 Fax (201) 784-0111

Drawing Title: Li-Ion Polymer Battery Pack; 7.4 Volts @ 3600mAh; Pack size 126.3\*36.8\*22mm (max) ; O/P connector AMP 5787526-1. Cell is UL1642 approved.

Model No. BL3600F4433482S4PH6G

Part No./Ordering No. BL3600F4433482S4PH6G

Rev A5

STANDARD CONNECTOR HOUSINGS



OVERMOLDED	No
OVER MOLD ORIENTATION	N/A
CONNECTOR PIN OUT	P1: N/C P2: + Voltage P3: - Voltage P4: SMB (Data) P5: SMB (Clock) P6: 10K NTC

PROPRIETARY INFORMATION

GlobTek, Inc. www.globtek.com 186 Veterans Drive, Northvale, NJ 07647 Tel. (201) 784-1000 Fax (201) 784-0111	Drawing Title: Li-Ion Polymer Battery Pack; 7.4 Volts @ 3600mAh; Pack size 126.3*36.8*22mm (max) ; O/P connector AMP 5787526-1. Cell is UL1642 approved.	
	Model No. BL3600F4433482S4PH6G	
	Part No./Ordering No. BL3600F4433482S4PH6G	Rev A5



ADDITIONAL OUTPUT PLUG OPTIONS ARE AVAILABLE AT <https://www.globtek.com/en/connectors>  
STANDARD PLUGS AND CONNECTORS CAN BE SEEN ONLINE AT <https://www.globtek.com/en/connectors>  
CALCULATE VOLTAGE REGULATION/DROP WITH OUR ONLINE CALCULATOR: <https://www.globtek.com/r2/PtqjL>

GlobTek, Inc. www.globtek.com 186 Veterans Drive, Northvale, NJ 07647 Tel. (201) 784-1000 Fax (201) 784-0111	Drawing Title: Li-Ion Polymer Battery Pack; 7.4 Volts @ 3600mAh; Pack size 126.3*36.8*22mm (max) ; O/P connector AMP 5787526-1. Cell is UL1642 approved.	
	Model No. BL3600F4433482S4PH6G	
	Part No./Ordering No. BL3600F4433482S4PH6G	Rev A5

LABEL:L-1671

LABEL P/N	BL3600F4433482S4PH6G Label
MATERIAL	Flat Thermal Transfer, Imprintable, Polyester Label and/or Pad Printed and/or Molded, and/or Laser Engraved in the case
BACKGROUND COLOR	Black if housing is Black, White or Silver if housing is White or Gray.
TEXT COLOR	White or Silver if label is Black Background for Black housing. Black if label is White or Silver background and Housing is White or Gray.
LABEL WIDTH (mm)	40.0
LABEL HEIGHT (mm)	25.0
SPECIAL BARCODE LABEL MATERIAL	No

Below is the minimum information which will appear on the label. NOTE: in the logo area additional/actual positioning of symbols and text is subjected to change as per agency updates/requirements or additional model approvals become available.  
 Regulatory certifications/label markings may be in logo area on the label or molded into the case housing outside the label area.  
 Information will be shown via label and/or pad printed and/or molded and/or laser engraved in the case. \* Date code markings at GlobTek option.



A=  
 B=P/N: (料号) BL3600F4433482S4PH6G  
 C=Model (型号) BL3600F4433482S4PH6G  
 E=Output (输出) Pack Nominal Voltage 7.40 (V), Pack Rated Capacity 3600.00 (mAh), Watt-Hour Rating 26.64 (Wh)

GlobTek, Inc. www.globtek.com 186 Veterans Drive, Northvale, NJ 07647 Tel. (201) 784-1000 Fax (201) 784-0111	Drawing Title: Li-Ion Polymer Battery Pack; 7.4 Volts @ 3600mAh; Pack size 126.3*36.8*22mm (max) ; O/P connector AMP 5787526-1. Cell is UL1642 approved.	
	Model No. BL3600F4433482S4PH6G	
	Part No./Ordering No. BL3600F4433482S4PH6G	Rev A5

AGENCY ONLINE DOCUMENTS	<a href="http://globtek.info/certs/BL0750F5030481S1PCMC/">http://globtek.info/certs/BL0750F5030481S1PCMC/</a>
CE EC-Declaration for Medical	<a href="#">Contact GlobTek for more information</a>
CE EC-Declaration for Industrial/Commercial/ITE	<a href="#">Contact GlobTek for more information</a>
CE EC-Declaration for Household	<a href="#">Contact GlobTek for more information</a>
UKCA-Declaration for Medical	<a href="#">Contact GlobTek for more information</a>
UKCA-Declaration for Industrial/Commercial/ITE	<a href="#">Contact GlobTek for more information</a>
UKCA-Declaration for Household	<a href="#">Contact GlobTek for more information</a>
Morocco SDoC Declaration	<a href="https://cs.globtek.info/Morocco_SDoC_Declaration?id=a003a00000MvAgDEAV">https://cs.globtek.info/Morocco_SDoC_Declaration?id=a003a00000MvAgDEAV</a>
RoHS/RoHS3 Declaration	<a href="https://www.globtek.com/pdf/rohs_cert/01t3a000005gb7WAAQ">https://www.globtek.com/pdf/rohs_cert/01t3a000005gb7WAAQ</a>
REACH Declaration	<a href="https://www.globtek.com/pdf/iso_certificates/REACH.pdf">https://www.globtek.com/pdf/iso_certificates/REACH.pdf</a>
Conflict Minerals Declaration	<a href="https://www.globtek.com/pdf/conflict-minerals.pdf">https://www.globtek.com/pdf/conflict-minerals.pdf</a>
Prop 65 Statement	<a href="https://www.globtek.com/prop-65-statement.pdf">https://www.globtek.com/prop-65-statement.pdf</a>

IPXY rating is based on 3rd party testing and customers should check suitability and test system level IPXY rating before ordering.

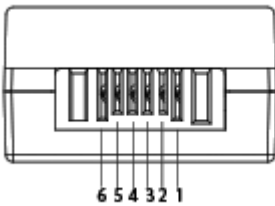
## Regulatory Certifications/Label Markings

Below follows a link to the latest regulatory certifications and marks for this specific product. National standards as well as certification schemes are constantly changing and so is the set of certification marks and symbols applicable to this product. Various standards, marks and symbols, and certificates are subject to change at any time without notice.

Additional standards or unique country certifications are available upon request. Please contact Globtek to request a quotation.

LATEST PRODUCT/MODEL CERTIFICATIONS: <https://www.globtek.com/ds/EtH4MqRfx3g/9fQyvsfyVp.html>

AGENCY ONLINE DOCUMENTS <http://globtek.info/certs/BL0750F5030481S1PCMC/>



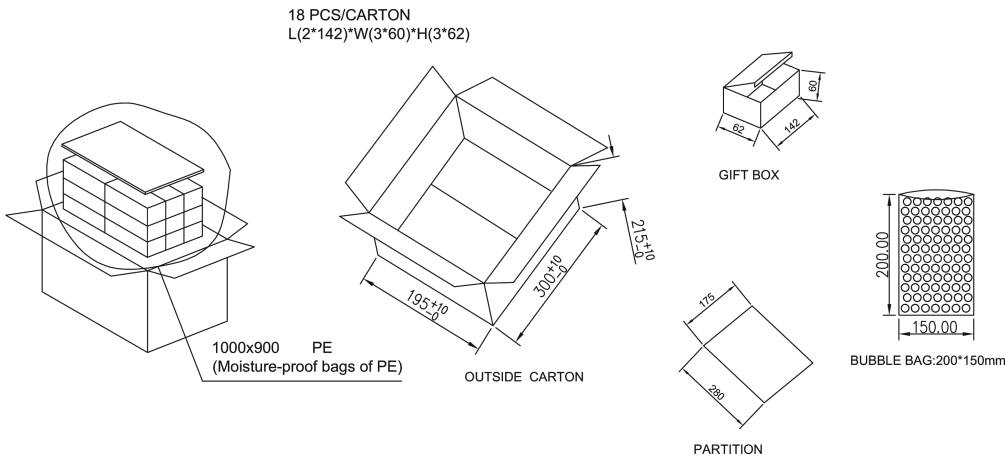
- P1: N/C
- P2: + Voltage
- P3: - Voltage
- P4: SMB (Data)
- P5: SMB (Clock)
- P6: 10K NTC

GlobTek, Inc. www.globtek.com 186 Veterans Drive, Northvale, NJ 07647 Tel. (201) 784-1000 Fax (201) 784-0111	Drawing Title: Li-Ion Polymer Battery Pack; 7.4 Volts @ 3600mAh; Pack size 126.3*36.8*22mm (max) ; O/P connector AMP 5787526-1. Cell is UL1642 approved.	
	Model No. BL3600F4433482S4PH6G	
	Part No./Ordering No. BL3600F4433482S4PH6G	Rev A5

## PACKAGING

Packing Spec P/N	BL3600F4433482S4PH6G packing
Packing Quantity/Multiple/MPQ	18
Gift Box Size (mm)	142*60*62
Gift Box Color	White
Master Carton Size (mm)	300 x 195 x 215
Master Carton Cubic Volume (m <sup>3</sup> )	0.01
Master GW (Kg)	kg
BLADES INCLUDED	:
BLADE/CORD INSTALLED	:
USER MANUAL*	
USER MANUAL WEB LINK	

\* This specification sheet is considered the user manual for all applications. It is expected that the buyer of this product will use it to formulate their own user manual for their end product and a user manual specifically for the power adapter is not usually required. If a user manual is not specifically listed above then none will be provided with this unit.



### PROPRIETARY INFORMATION

GlobTek, Inc. www.globtek.com 186 Veterans Drive, Northvale, NJ 07647 Tel. (201) 784-1000 Fax (201) 784-0111	Drawing Title: Li-Ion Polymer Battery Pack; 7.4 Volts @ 3600mAh; Pack size 126.3*36.8*22mm (max) ; O/P connector AMP 5787526-1. Cell is UL1642 approved.	
	Model No. BL3600F4433482S4PH6G	
	Part No./Ordering No. BL3600F4433482S4PH6G	Rev A5

### INSTRUCTIONS TO THE OEM SYSTEMS ENGINEER

It is the responsibility of the OEM systems engineer to provide the end system user instructions and warnings for the use of this product in the end system.

If an input cord is required for this product, AC Mains voltage should be provided to the power supply by a power supply cord approved to the national standards of the country in which it will be used.

This product is not designed to be repaired. No serviceable parts inside. A blown internal fuse is an indication of catastrophic failure of circuit component(s). If a Failure Analysis is required for a failed power supply/battery charger, please return the damaged unit to GlobTek for an accurate determination of the root cause of the failure.

EMC Compliance of the complete OEM product, including the GlobTek power supply/battery charger needs to be verified by the OEM systems engineer.

GlobTek, Inc. www.globtek.com 186 Veterans Drive, Northvale, NJ 07647 Tel. (201) 784-1000 Fax (201) 784-0111	Drawing Title: Li-Ion Polymer Battery Pack; 7.4 Volts @ 3600mAh; Pack size 126.3*36.8*22mm (max) ; O/P connector AMP 5787526-1. Cell is UL1642 approved.	
	Model No. BL3600F4433482S4PH6G	
	Part No./Ordering No. BL3600F4433482S4PH6G	Rev A5

INSTRUCTION SHEET

GlobTek, Inc. www.globtek.com 186 Veterans Drive, Northvale, NJ 07647 Tel. (201) 784-1000 Fax (201) 784-0111	Drawing Title: Li-Ion Polymer Battery Pack; 7.4 Volts @ 3600mAh; Pack size 126.3*36.8*22mm (max) ; O/P connector AMP 5787526-1. Cell is UL1642 approved.	
	Model No. BL3600F4433482S4PH6G	
	Part No./Ordering No. BL3600F4433482S4PH6G	Rev A5

