

1

2

3

4

5

6

7

A

B

C

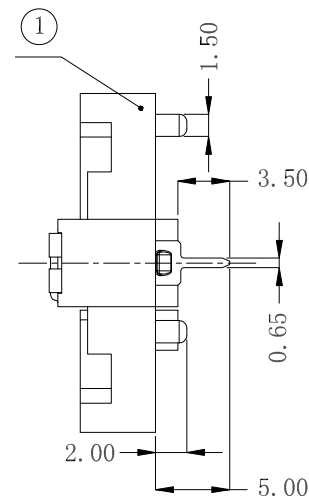
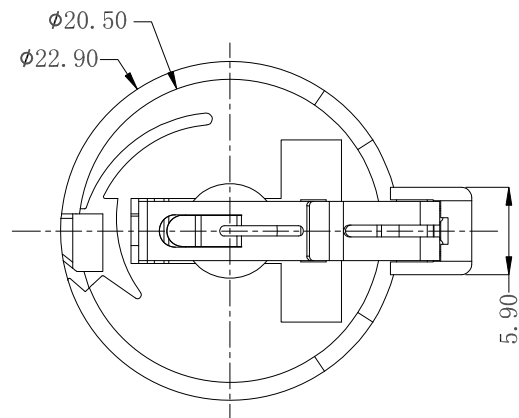
D

E

F

G

H



NOTE:

1.MATERIAL

- 1.1 Housing:PA66,UL94V-0
- 1.2 Contact: Brass,Au or Tin over Nickel

2.ELECTRIC

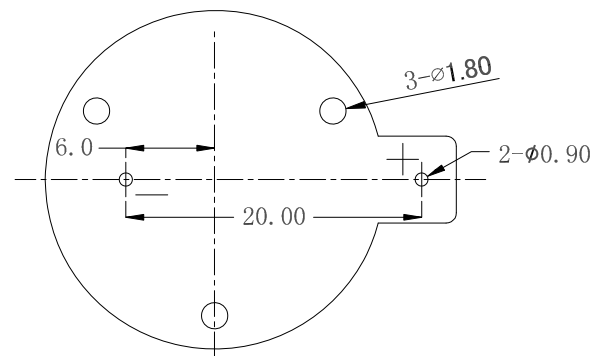
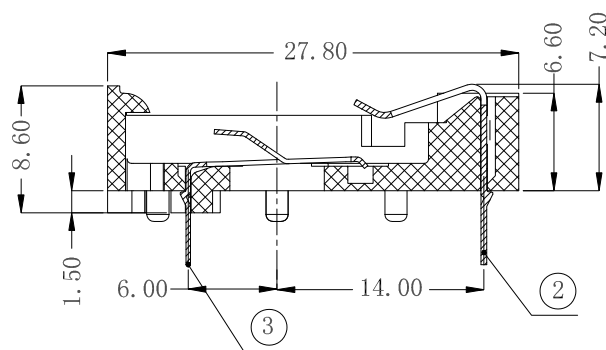
- 2.1 Contact Resistance:30 Milliohms Max.
- 2.2 Insulation Resistance:1000 Mega Ohms Min.
- 2.3 Dielectric Voltage:500V AC one Sec Level

3.Operating Temperature;-55°C To +105°C

4.Packing:Tray

Oeder Code:A-BAT-CH-C8-EA-xTP9

- G:Gold Flash
- Z:Tin

PCB LAYOUT Diagram
Top View

RoHS compliant

unit:mm

Scale Free

TOLERANCE

X. ±0.35

.X ±0.25

.XX ±0.20

.XXX ±0.15

DIM TOL

Angle TOL

①

Drawn

12.19.2021

Peter

ld.

modification

Date

Name

Date

Name

Description: Coin Cell Holders
CR2032 Type

Drawn

12.19.2021

Peter

Approved

12.19.2021

Peter

ASSMANN WSW-NO.

A-BAT-CH-C8-EA-xTP9

Drawing-No.

ASS 9152 CO

rev00

Customer-No.

SHEET
1 / 1

1

2

3

4

5

6

7

SV5043