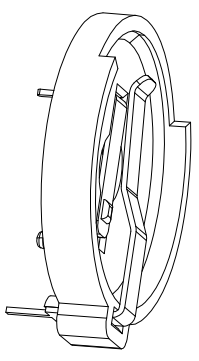
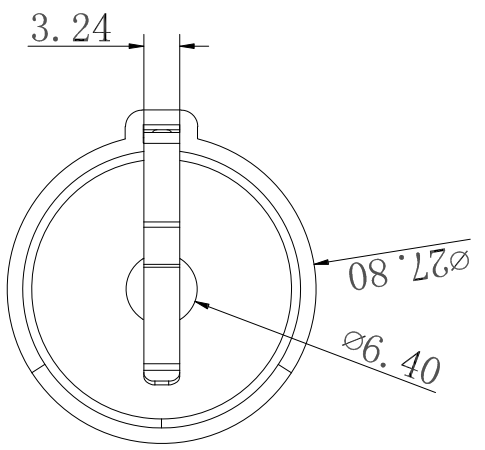
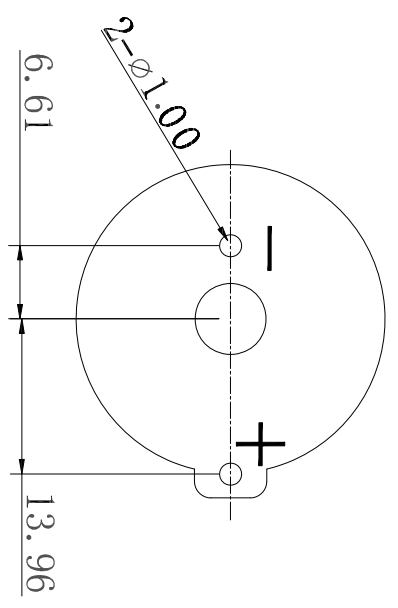
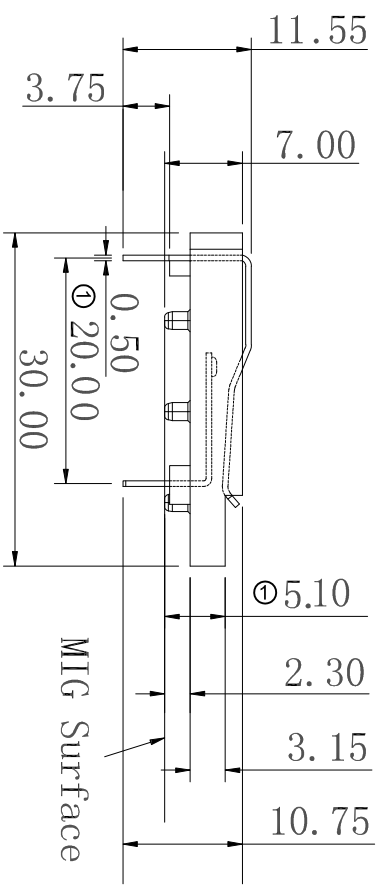


1 2 3 4 5 6 7



- NOTE:
- MATERIAL
    - Housing: PA+30%GF, UL94V-0, Black
    - Contact: C2680, Au or Tin over Nickel
  - ELECTRIC
    - Contact Resistance: 30 Milliohms Max.
    - Insulation Resistance: 1000 Mega Ohms Min.
    - Dielectric Voltage: 500V AC one Sec Level.
  - Operating Temperature: -55°C To +105°C
  - Packing: Tray
- Order Code: A-BAT-CH-CA-EG-xTP3  
 G: Gold Flash  
 Z: Tin

PCB HOLE LAYOUT



G	ROHS compliant unit:mm				Scale Free TOLERANCE X. ±0.35 .X ±0.25 .XX ±0.20 .XXX ±0.15 DIM TOL Angle TOL	Id.	Update the dimensions Drawn modification	Date 12.20.2021	Name Peter	Date 12.20.2021 Approved 12.06.2023	Name Peter Winnie	Description: Coin Cell Holders CR2430 Type ASSMANN WSW-NO. A-BAT-CH-CA-EG-xTP3	G
H	Drawing-No. ASS 9173 CO				Id.	Update the dimensions Drawn modification	Date 12.20.2021	Name Peter	Date 12.20.2021 Approved 12.06.2023	Name Peter	Drawing-No. ASS 9173 CO Customer-No.	H	
1	1	2	3	4	5	6	7	SV5043					