

1

2

3

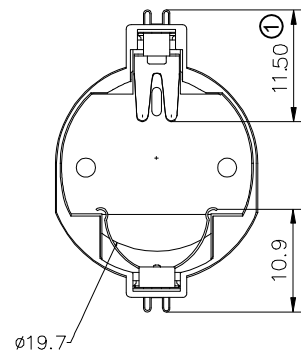
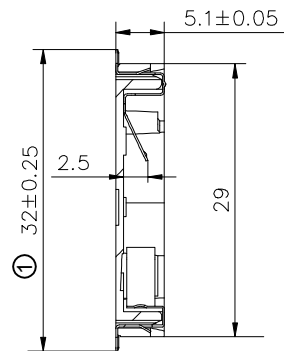
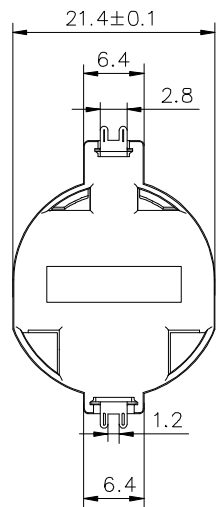
4

5

6

7

A

**NOTE:****1.MATERIAL**

- 1.1 Housing:Thermoplastic Glass Fiber UL94V-0 Color:Brown
- 1.2 Contact:Phosphor Bronze,Au or Tin over Nickel

2.ELECTRIC

- 2.1 Contact Resistance:30 Milliohms Max.
- 2.2 Insulation Resistance:1000 Mega Ohms Min.
- 2.3 Dielectric Voltage:500V AC one Sec Level.

3.Operating Temperature:-55°C To +105°C**4.Packing:Tray**

Order Code:A-BAT-CH-C8-EA-xSR1

G:Gold Flash
Z:Tin

B

C

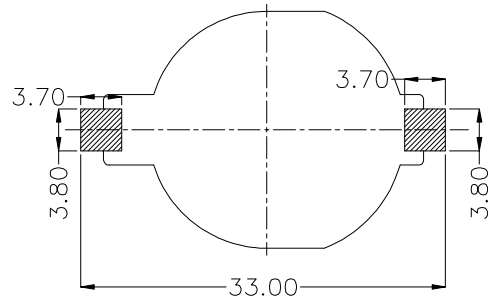
D

E

F

G

H



PCB Layout Diagram
Top View

RoHS compliant
unit:mm

Scale Free

TOLERANCE

X. ±0.35

.X ±0.25

.XX ±0.20

.XXX ±0.15

DIM TOL

Angle TOL

①

Update the dimension & add insulator color

10.17.2022

Winnie

②

Drawn

12.19.2021

Peter

Id.

modification

Date

Name

Date

Name

Description: Coin Cell Holders
CR2032 Type

Drawn

12.19.2021

Peter

Approved

10.17.2022

Winnie

ASSMANN WSW-NO.

A-BAT-CH-C8-EA-xSR1

Drawing-No.

ASS 9154 CO

rev01

Customer-No.

SHEET
1 / 1

ASSMANN
WSW components

1

2

3

4

5

6

7

H