

1

2

3

4

5

6

7

A

B

C

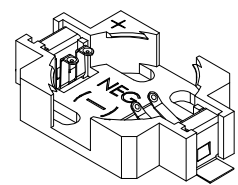
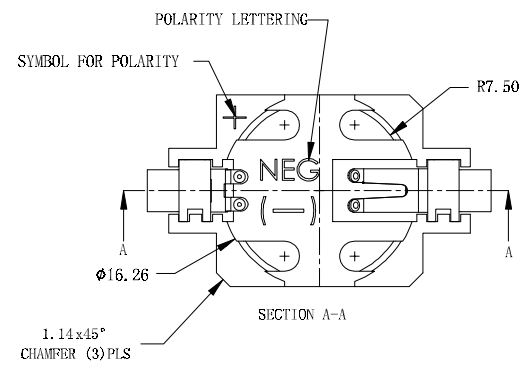
D

E

F

G

H



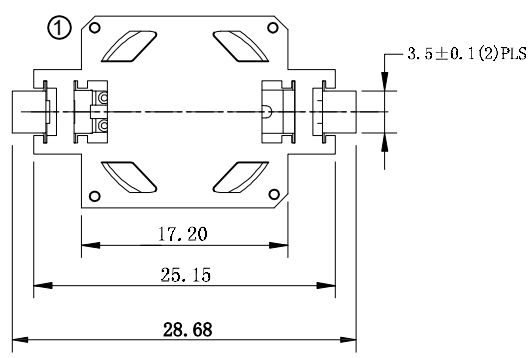
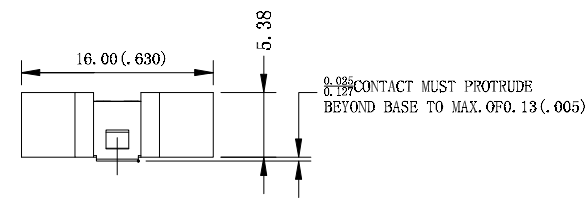
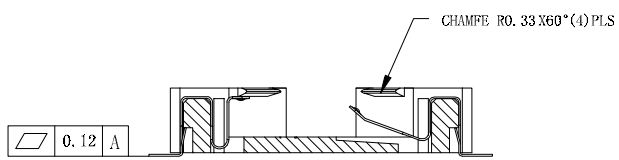
NOTE:

- 1. MATERIAL
 - ① 1.1 Base:LCP 30% Glass Filled,UL94V-0,Color:Beige
 - 1.2 Contact:0.15mm Thickness Phosphor Bronze

- 2. FINISH
 - 2.1 Contact: Au or Tin over Nickel

3. Packing: Tape & Reel
 Order Code:A-BAT-CH-C6-EA-xSR1

G: Gold Flash
 Z: Tin



RoHS compliant
 unit:mm

Scale	Free
TOLERANCE	
X.	±0.35
.X	±0.25
.XX	±0.20
.XXX	±0.15
DIM	TOL
Angle	TOL

①	Update the appearance&add the insulator color	10.17.2022	Winnie
②	Drawn	12.16.2021	Peter
Id.	modification	Date	Name

Drawn 12.16.2021 Peter

Approved 10.17.2022 Winnie

Description: Coin Cell Holders CR1632 Type	
ASSMANN WSW-NO. A-BAT-CH-C6-EA-xSR1	
Drawing-No. ASS 9147 CO	rev01
Customer-No.	SHEET 1 / 1

1

2

3

4

5

6

7

H