

1

2

3

4

5

6

7

A

A

B

B

C

C

D

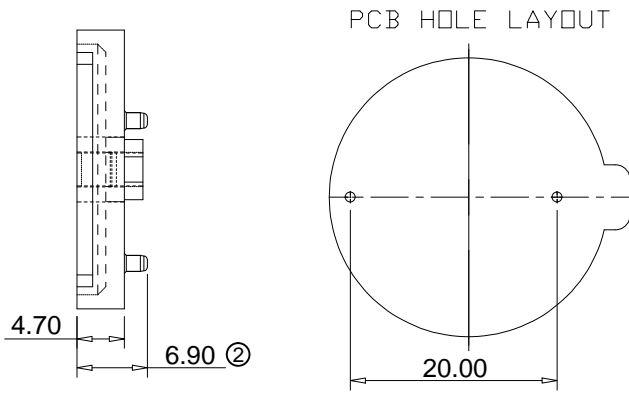
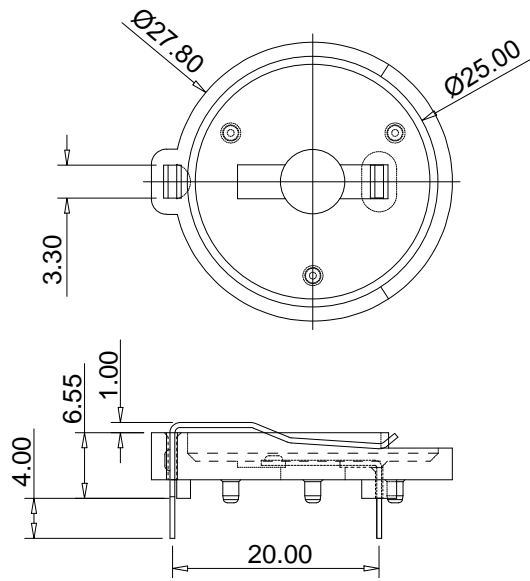
D

E

E

F

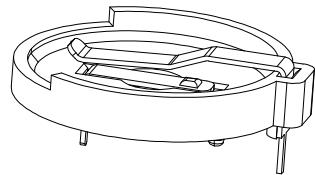
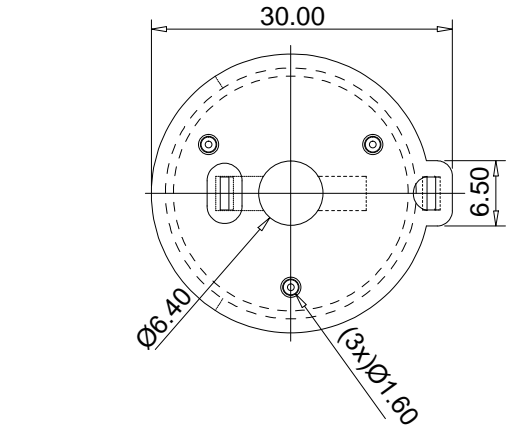
F



NOTE:

- 1.MATERIAL
  - 1.1 Housing:PBT+GF,UL94V-0,Black
  - 1.2 Contact:C2680,Au or Tin over Nickel
- 2.ELECTRIC
  - 2.1 Contact Resistance:30 Milliohms Max.
  - 2.2 Insulation Resistance:1000 Mega Ohms Min.
  - 2.3 Dielectric Voltage:500V AC one Sec Level.
- 3.Operating Temperature:-55°C To +105°C
- 4.Packing:Tray

Order Code:A-BAT-CH-CA-EG-xTP1  
 G:Gold Flash  
 Z:Tin



G

G

RoHS compliant  
 unit:mm

Scale	Free
TOLERANCE	
X.	±0.35
.X	±0.25
.XX	±0.20
.XXX	±0.15
DIM	TOL
Angle	TOL

				Date	Name	Description: Coin Cell Holders CR2430 Type	
				Drawn	12.20.2021		Peter
				Approved	12.06.2023	Winnie	ASSMANN WSW-NO.
②	Update dimensions	12.06.2023	Winnie			A-BAT-CH-CA-EG-xTP1	
①	Update dimensions	12.07.2022	Daniel			Drawing-No.	
③	Drawn	12.20.2021	Peter			ASS 9167 CO	
Id.	modification	Date	Name			Customer-No.	



rev02  
 SHEET 1 / 1

1

2

3

4

5

6

7