

1

2

3

4

5

6

7

A

A

B

B

C

C

D

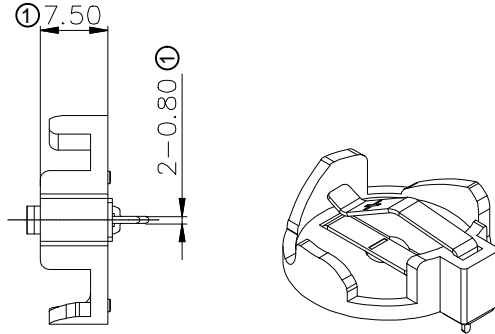
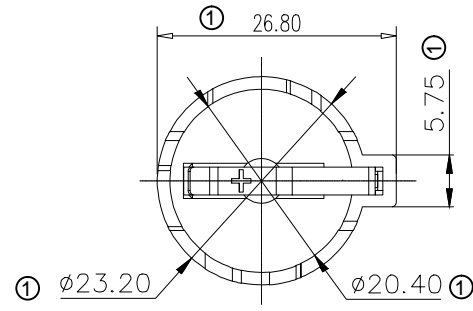
D

E

E

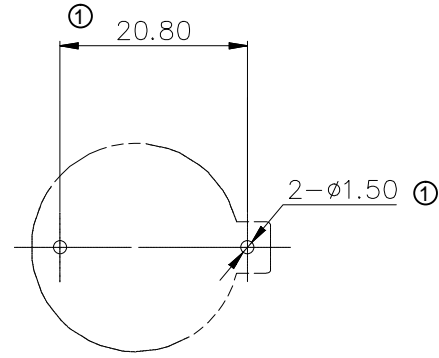
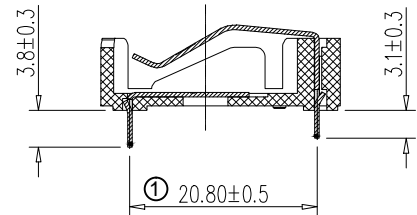
F

F



NOTE:

- 1.MATERIAL
 - 1.1 Housing:PA,UL94V-0,Black
 - 1.2 Contact:C2680,Au or Tin over Nickel
- 2.ELECTRIC
 - 2.1 Contact Resistance:30 Milliohms Max.
 - 2.2 Insulation Resistance:1000 Mega Ohms Min.
 - 2.3 Dielectric Voltage:500V AC one Sec Level.
- 3.Operating Temperature:-55°C To +105°C
- 4.Packing:Tray
- Order Code:A-BAT-CH-C8-EA-xTP2
 - G:Gold Flash
 - Z:Tin



PCB Layout Diagram
Bottom View

G

G

RoHS compliant
unit:mm

Scale	Free						Date	Name	Description: Coin Cell Holders CR2032 Type	
TOLERANCE							Drawn	12.20.2021	Peter	ASSMANN WSW-NO. A-BAT-CH-C8-EA-xTP2
.X	±0.35					Approved	12.06.2023	Winnie		
.XX	±0.25									
.XXX	±0.20	①	Update the dimension & appearance	12.06.2023	Winnie	ASSMANN WSW components		Drawing-No.	ASS 9159 CO	rev01
DIM	TOL	②	Drawn	12.20.2021	Peter					
Angle	TOL	Id.	modification	Date	Name			Customer-No.	SHEET 1 / 1	

1

2

3

4

5

6

7