

1

2

3

4

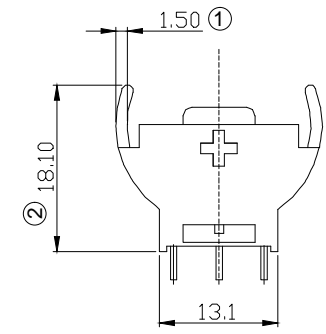
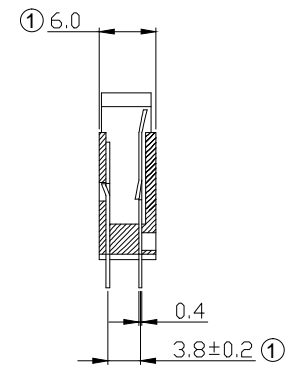
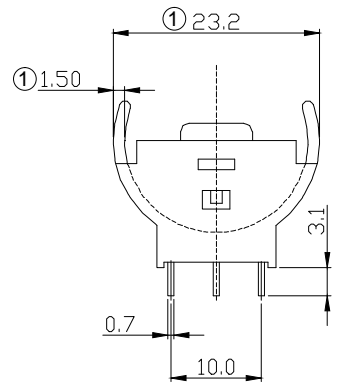
5

6

7

A

A



NOTE:

- 1.MATERIAL
 - 1.1 Housing:PA66,UL94V-0,Black
 - 1.2 Contact:C5191,Au or Tin over Nickel
- 2.ELECTRIC
 - 2.1 Contact Resistance:30 Milliohms Max.
 - 2.2 Insulation Resistance:1000 Mega Ohms Min.
 - 2.3 Dielectric Voltage:500V AC one Sec Level
- 3.Operating Temperature:-55°C To +105°C
- 4.Packing:Tray
- Order Code:A-BAT-CH-C8-EG-xTP2

G:Gold Flash
Z:Tin

B

B

C

C

D

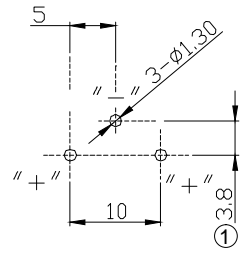
D

E

E

F

F



G

G

H

H

RoHS compliant
unit:mm

Scale	Free					Date	Name
TOLERANCE						Drawn	Peter
X.	±0.35					12.19.2021	Peter
.X	±0.25					Approved	Winnie
.XX	±0.20	②	Update the dimension	12.06.2023	Winnie		
.XXX	±0.15	①	Update the dimension	04.26.2022	Peter		
DIM	TOL	③	Drawn	12.19.2021	Peter		
Angle	TOL	Id.	modification	Date	Name		

Description: Coin Cell Holders
CR2032 Type

ASSMANN WSW-NO.
A-BAT-CH-C8-EG-xTP2



Drawing-No.
ASS 9153 CO rev02

Customer-No. SHEET 1 / 1

1

2

3

4

5

6

7