

1

2

3

4

5

6

7

A

A

B

B

C

C

D

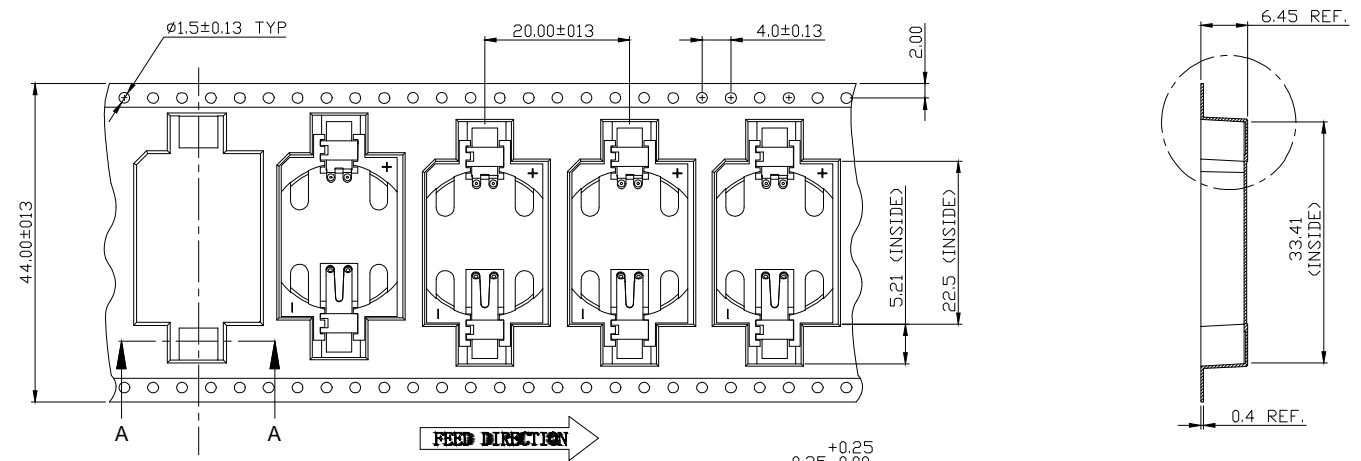
D

E

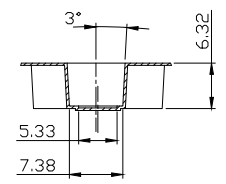
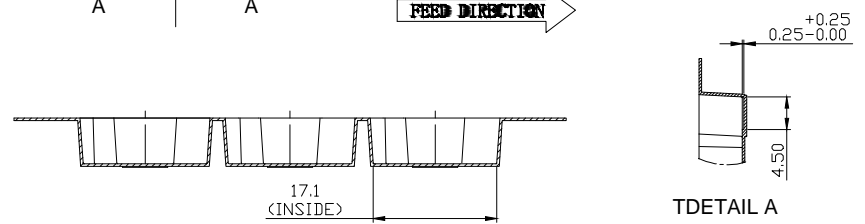
E

F

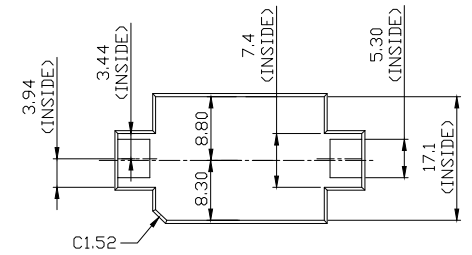
F



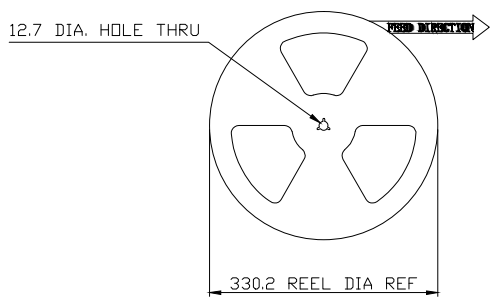
NOTE:
 1. Tape and Reel specification
 1.1 Tape: MAT'L-ALL conductive polystyrene carrier ANSI/EIA-481 Standard
 1.2 Reel: 330.2 DIA. 500pieces per reel



SECTION A-A



POCKET DETAIL



G

G

RoHS compliant
 unit:mm

Scale	Free
TOLERANCE	
X.	±0.35
.X	±0.25
.XX	±0.20
.XXX	±0.15
DIM	TOL
Angle	TOL

				Date	Name	Description: Coin Cell Holders Packing method	
				Drawn	Peter		
				Approved	Peter	ASSMANN WSW-NO.	
						① A-BAT-CH-C8-EA-xSR3	
H		①	Updated the P/N and delete the dimension 3.00	07.12.2022	Peter	Drawing-No. ASS 9162 CO	rev01
		②	Drawn	12.20.2021	Peter		
			Id.	modification	Date	Name	Customer-No.



1

2

3

4

5

6

7