

1

2

3

4

5

6

7

A

B

C

D

E

F

A

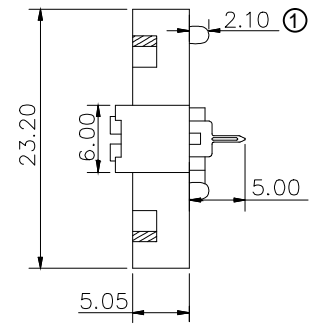
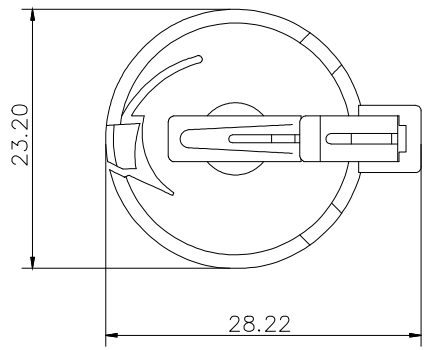
B

C

D

E

F



NOTE:

1.MATERIAL

- 1.1 Housing:PA,UL94V-0,Black
- 1.2 Contact:C2680,Au or Tin over Nickel

2.ELECTRIC

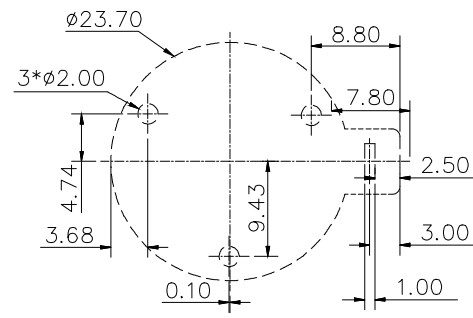
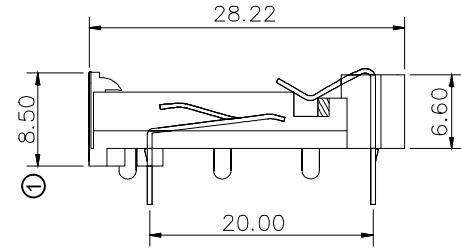
- 2.1 Contact Resistance:30 Milliohms Max
- 2.2 Insulation Resistance:1000 Mege Ohms Min
- 2.3 Dielectric Voltage:500V AC one sec level

3.Operating temperature:-55°C To +105°C

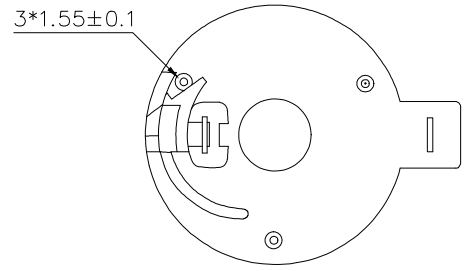
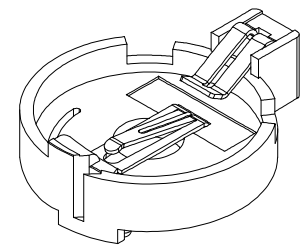
4.Packing:Tray

Order Code:A-BAT-CH-C8-EA-xTP8

- G:Gold Flash
- Z:Tin



PCB HOLE LAYOUT



G

RoHS compliant
unit:mm

Scale Free

TOLERANCE

.X ±0.35

.X ±0.25

.XX ±0.20

.XXX ±0.15

DIM TOL

Angle TOL

①	Update the dimensions	12.06.2023	Winnie
②	Drawn	12.17.2021	Peter
Id.	modification	Date	Name

Date	Name
12.17.2021	Peter
12.06.2023	Winnie



Description: Coin Cell Holders CR2032 Type	
ASSMANN WSW-NO. A-BAT-CH-C8-EA-xTP8	
Drawing-No. ASS 9151 CO	rev01
Customer-No.	SHEET 1 / 1

H

G

H

1

2

3

4

5

6

7