

1

2

3

4

5

6

7

A

A

B

B

C

C

D

D

E

E

F

F

NOTE:

1.MATERIAL

1.1 Contact: Phosphor Bronze,T=0.254mm Full Hard

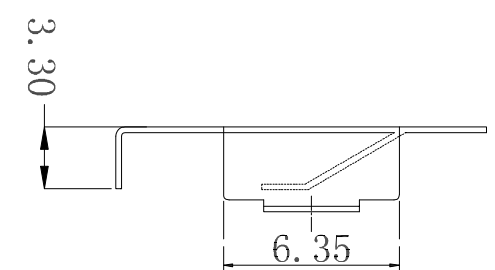
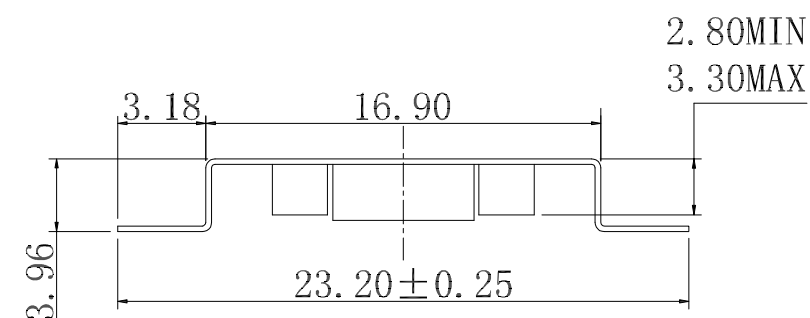
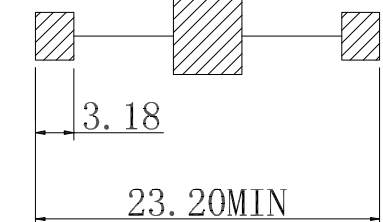
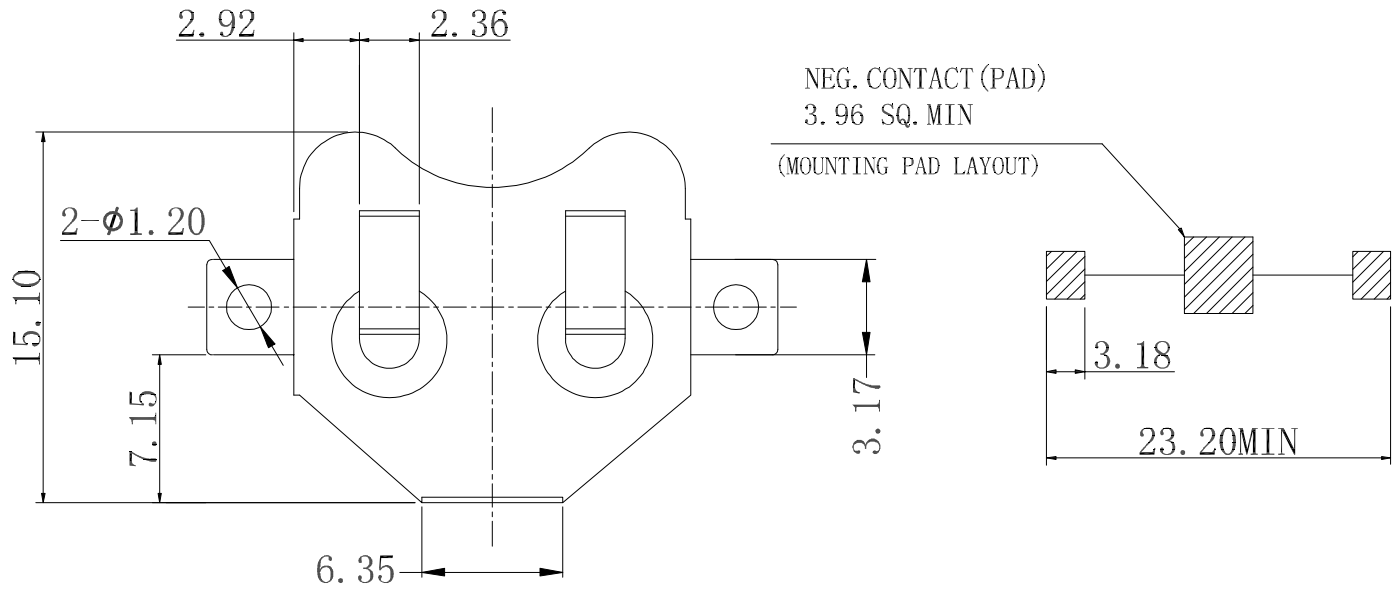
2.FINISH

2.1 Contact: Nickel Plate
0.00254-0.00762 Nickel,Over 0.00127-0.00254 Copper

3.Geometry

3.1 All inside bend radii to be a min. of material thickness unless otherwise specified
3.2 Part must be free of all burrs and sharp edges
3.3 Indicates critical dimension

4.Packing: Tape & Reel



G

G

H

H

RoHS compliant
unit:mm

Scale	Free
TOLERANCE	
.X	±0.35
.X	±0.25
.XX	±0.20
.XXX	±0.15
DIM	TOL
Angle	TOL

Drawn	24.11.2021	Peter	
Approved	24.11.2021	Peter	
①	Drawn	24.11.2021	Peter
Id.	modification	Date	Name



Description: Battery Contacts CR1632 Type	
ASSMANN WSW-NO. A-BAT-CH-C6-EA-CSR1	
Drawing-No. ASS 9098 CO	rev00
Customer-No.	SHEET 1 / 1

1

2

3

4

5

6

7