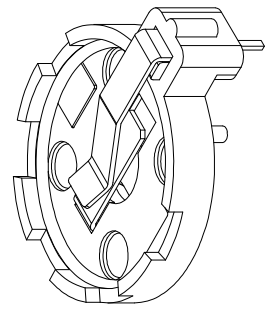
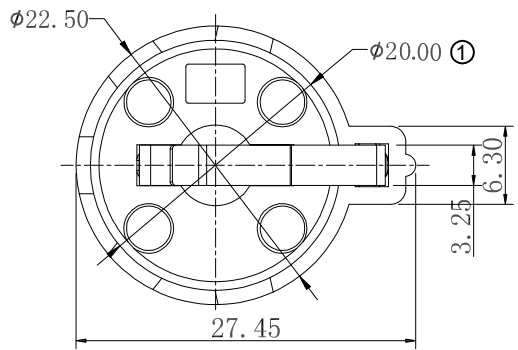


A



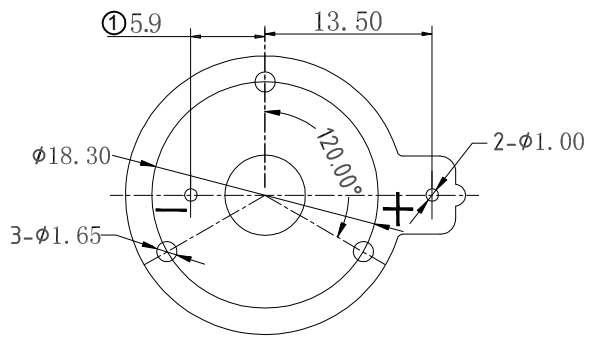
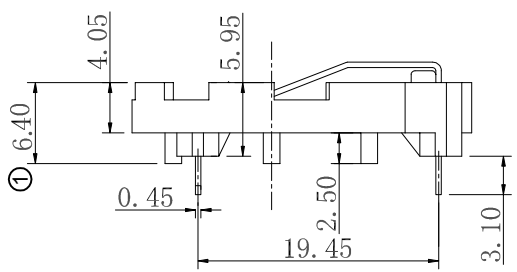
NOTE:

- 1.MATERIAL
 - ① 1.1 Housing:PBT, UL94V-0 Color:Black
 - 1.2 Contact:Mn Steel,Au or Tin over Nickel
- 2.ELECTRIC
 - 2.1 Contact Resistance:30 Milliohms Max.
 - 2.2 Insulation Resistance:1000 Mega Ohms Min.
 - 2.3 Dielectric Voltage:500V AC one Sec Level.
- 3.Operating Temperature:-55°C To +105°C
- 4.Packing:Tray
- Order Code:A-BAT-CH-C8-EA-xTP4

G:Gold Flash
Z:Tin

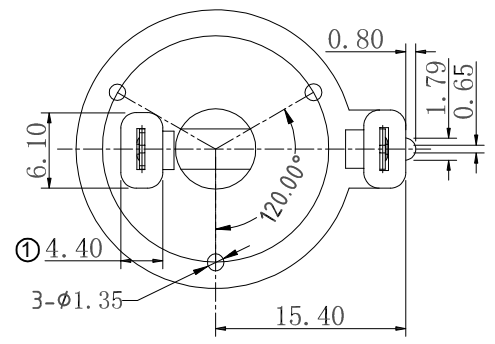
B

C



PCB Layout Diagram
Top View

E



F

G

RoHS compliant
unit:mm

Scale	Free
TOLERANCE	
.X	±0.35
.X	±0.25
.XX	±0.20
.XXX	±0.15
DIM	TOL
Angle	TOL

①	Update the dimension&add the insulator color	12.20.2021	Peter
②	Drawn	12.20.2021	Peter
ld.	modification	Date	Name

Drawn 12.20.2021 Peter

Approved 12.20.2021 Peter

Description: Coin Cell Holders CR2032 Type	
ASSMANN WSW-NO. A-BAT-CH-C8-EA-xTP4	
Drawing-No. ASS 9160 CO	rev01
Customer-No.	SHEET 1 / 1

H