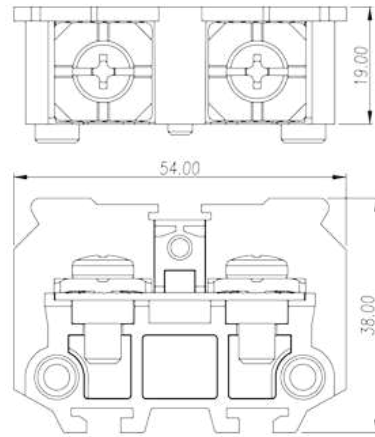
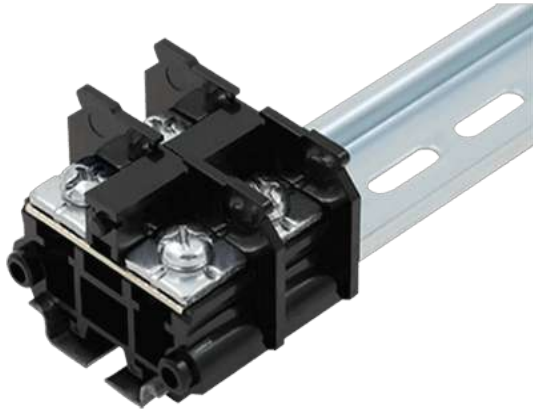


DKB60

NEMA Terminal Blocks > Rail Mounting

Date:2022-12-01



The web catalog is for reference only. Dinkle remains the right of product modification and engineering change of the design. The final product is made according to engineering drawing.

Product Description

M6, 600V, 65A

General information

Short description	Barrier terminal blocks, Screw connection
Category	Rail mounting terminal blocks
Color	Black (default)
Connection method	Screw connection
Type of locking	Rail mounting
Level	Single level

Material information

Insulation material	PC
Insulation material group	IIIa
Flame retardant rating , compliant with UL94	V2
Conductor material	Copper Alloy
Plating of conductor surface	Ni plated

Connection data-IEC

Rated voltage (V)	630
-------------------	-----

Rated current (A)	76
Rated voltage (III/3)(V)	630
Rated impulse voltage (II/2)(KV)	8
Rated impulse voltage (III/2)(KV)	8
Rated impulse voltage (III/3)(KV)	8
Conductor cross section solid. min (mm ²)	0.75
Conductor cross section solid.max (mm ²)	16
Conductor cross section stranded. min (mm ²)	0.75
Conductor cross section stranded. max (mm ²)	16
2 conductors with same cross section, solid, max (mm ²)	16
2 conductors with same cross section, stranded, max (mm ²)	16
Screw thread	M6
Slotted screwdriver size (Blade thickness x Width)(mm)	1.0x5.5
Philips screwdriver size	PH3
Rated torque (N.m)	3
Recommend tightening torque. min (N.m)	2.5
Recommend tightening torque. max (N.m)	3
Stripping Length (mm)	17~18

Connection data-UL

Rated voltage (UL/CUL Group B)(V)	600
Rated current (UL/CUL Group B)(A)	65
Rated voltage (UL/CUL Group C)(V)	600
Rated current (UL/CUL Group C)(A)	65
Min. solid wire connection (AWG) acc. to UL/CUL	18
Max. solid wire connection AWG acc. to UL/CUL	6
Min. stranded wire connection AWG acc. to UL/CUL	18
Max. stranded wire connection AWG acc. to UL/CUL	6

Environment & Safety

Back of the hand protection (YES or NO)	YES
Operating temperature. max (°C)	125
Operating temperature. min (°C)	-40

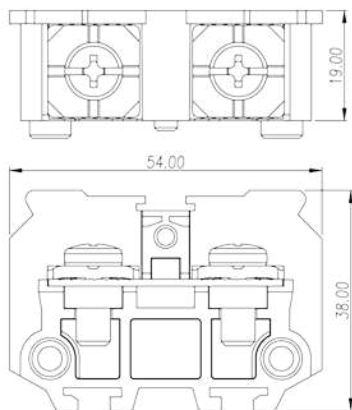
UL Recognized

Wire Range (Group B)(AWG)	18~6
Rated voltage (Group B)(V)	600
Rated current (Group B)(A)	65
Wire Range (Group C)(AWG)	18~6
Rated voltage (Group C)(V)	600
Rated current (Group C)(A)	65

CUL Recognized

Wire Range (Group B)(AWG)	18~6
Rated voltage (Group B)(V)	600
Rated current (Group B)(A)	65
Wire Range (Group C)(AWG)	18~6
Rated voltage (Group C)(V)	600
Rated current (Group C)(A)	65

Drawings



Approvals

