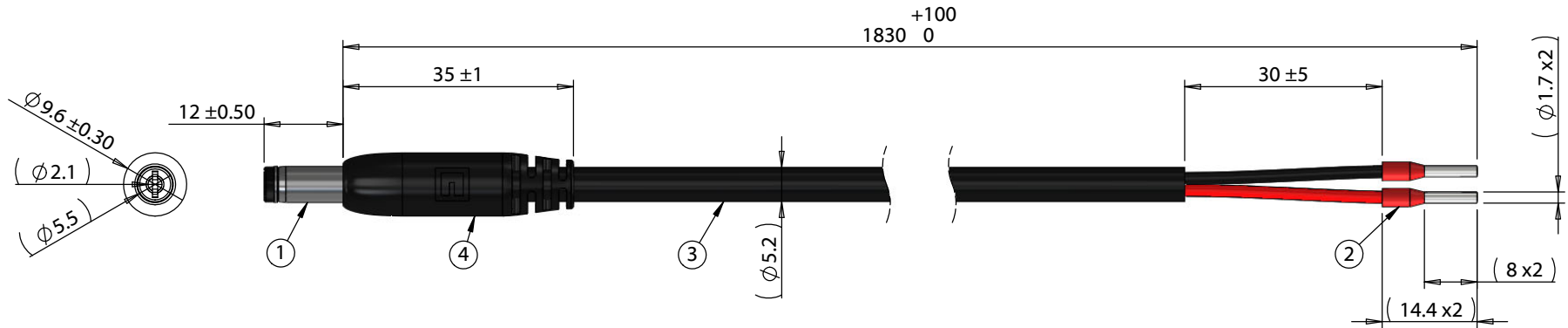


ITEM NO.	PART NUMBER	DESCRIPTION	QTY.	COMPONENT NOTES
1	50-00024	Connector, dc plug, 5.5x2.1x123 mm, molding style, spring contacts	1	
2	55-00139	Ferrule, single insulator, red, 18 AWG, 105C, 18A, copper, tin plating	2	
3	30-00683	Wire, 2C TS, 18 AWG, UL2464, 300V, 80C, 5.2 mm, VW-1, PVC	1	
4	24-00182	Overmold, dc plug, 5.5 mm, Tensility	1	PVC, black



Notes:
Functionally equivalent components may be substituted
Cable rated for 48 V, 8.5 A

Wiring Diagram		
50-00024	wire color	
center	red	55-00139
sleeve	black	55-00139

Revision:	Date:	Description:	Prepared:	Notes:	<h1>TENSILITY</h1> tel 1.541.323.3228 800 877.670.7118 fax 1.541.323.4202 web tensility.com
A	3/26/2020	Initial release	Verified:		
			Dimensions are in millimeters. Tolerances: X: ± 0.5 mm X.X: ± 0.3 mm X.XX: ± 0.05 mm	Function test: no open, no short circuit, no intermittent	Scale: 1:1
				Description: Cable, 1830 mm, 5.5x2.1x12 mm 50-00024 dc plug to ferrules, 18 AWG, 30-00683 wire	
					Sheet 1 of 1

5

4

3

2

1