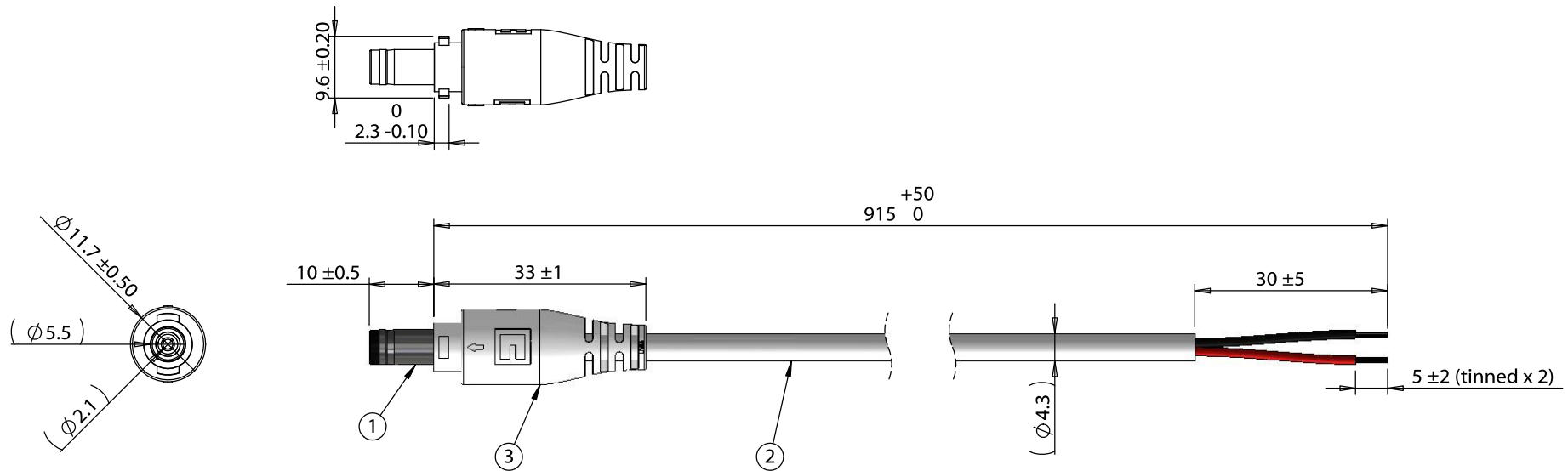


ITEM NO.	PART NUMBER	DESCRIPTION	QTY.	COMPONENT NOTES
1	50-00261	Connector, dc plug, 5.5x2.1xL20.5mm, brass nickel plated	1	
2	30-00690	Wire, 2C TS, 22 AWG, UL2464, 300V, 80C, 4.30 mm, VW-1, PVC, white	1	
3	24-00161	Overmold, dc plug, twistlock, PVC	1	white



Notes:
 Made to mate with cable assembly: 10-02935 and 10-02979
 Functionally equivalent components may be substituted

Wiring Diagram	
50-00261	wire color
center	red
sleeve	black

Revision:	Date:	Description:	Prepared:	Notes:	<h1>TENSILITY</h1> tel 1.541.323.3228 800 877.670.7118 fax 1.541.323.4202 web tensility.com
A	9/19/2018	Initial release	AW <small>Digitally signed by AW Date: 2018.10.24 10:09:57 -07'00'</small>		
			Verified:	Function test: no open, no short circuit, no intermittent	
			JP <small>Digitally signed by JP Date: 2018.10.24 10:15:38 -07'00'</small>		
			Dimensions are in millimeters. Tolerances: X: ± 0.5 mm X.X: ± 0.3 mm X.XX: ± 0.05 mm	Description: Cable, 915 mm, 5.5x2.1 mm 50-00261 dc plug twist lock to 5 mm tinned, 22 AWG, UL2464, white	Size: A Part number: 10-02934
					Scale: 1:1 Sheet 1 of 1

5

4

3

2

1