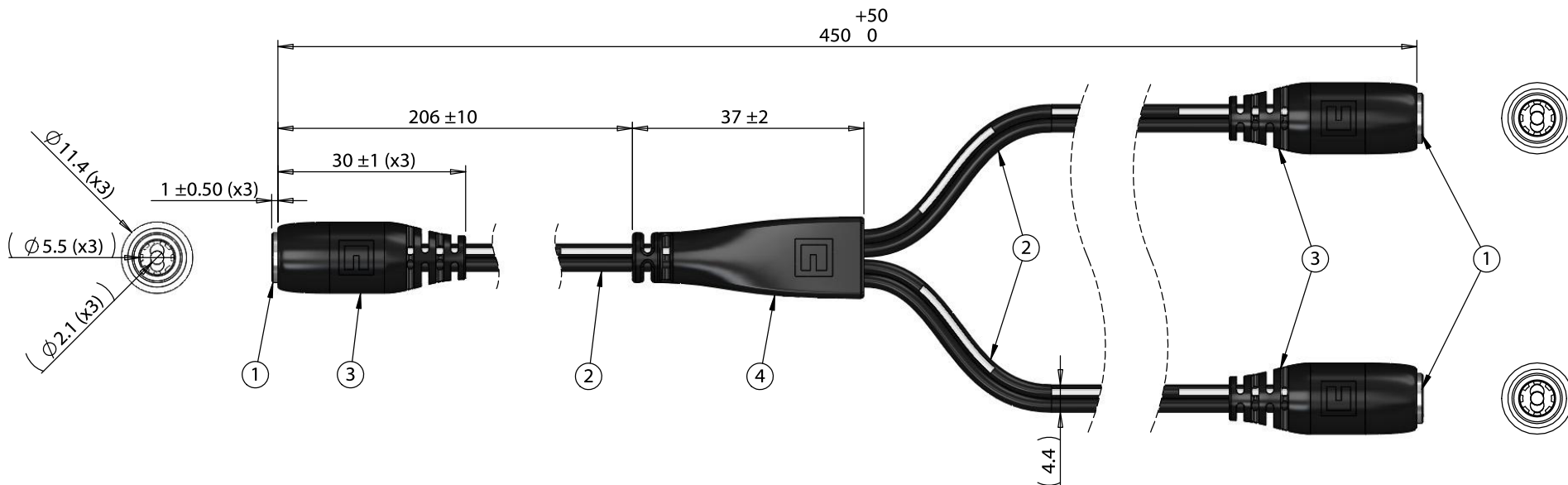


ITEM NO.	PART NUMBER	DESCRIPTION	QTY.	COMPONENT NOTES
1	50-00025	Connector, dc jack, 5.5x2.1xL17.4 mm, molding style	3	
2	30-00007	Wire, 2C BC, 18 AWG, UL2468, 300V, 80C, 4.4 mm, VW-1, PVC, 87A	3	
3	24-00004	Overmold, PVC	3	black
4	24-00195	Overmold, splitter, Ø 8.0 mm by 10.0x13.0 mm	1	black



Notes:
Functionally equivalent components may be substituted

Wiring Diagram		
50-00025	wire color	50-00025
center	black with stripe	center
sleeve	black	sleeve

Revision:	Date:	Description:	Prepared:	Notes:	<h1>TENSILITY</h1> <p>tel 1.541.323.3228 800 877.670.7118 fax 1.541.323.4202 web tensility.com</p>
A	4/10/2018	Initial release	JP		
			Verified:	RoHS compliant	
			AW	Function test: no open, no short circuit, no intermittent	
			Dimensions are in millimeters.	Description:	Size:
			Tolerances:	Cable, 450 mm, 5.5x2.1 mm 50-00025 dc jack to y-split to 2x 5.5x2.1 mm dc jack, 18 AWG, UL2468	A
			X: ± 0.5 mm		Part number:
			X.X: ± 0.3 mm		10-02746
			X.XX: ± 0.05 mm		Scale: 1:1
					Sheet 1 of 1

5

4

3

2

1