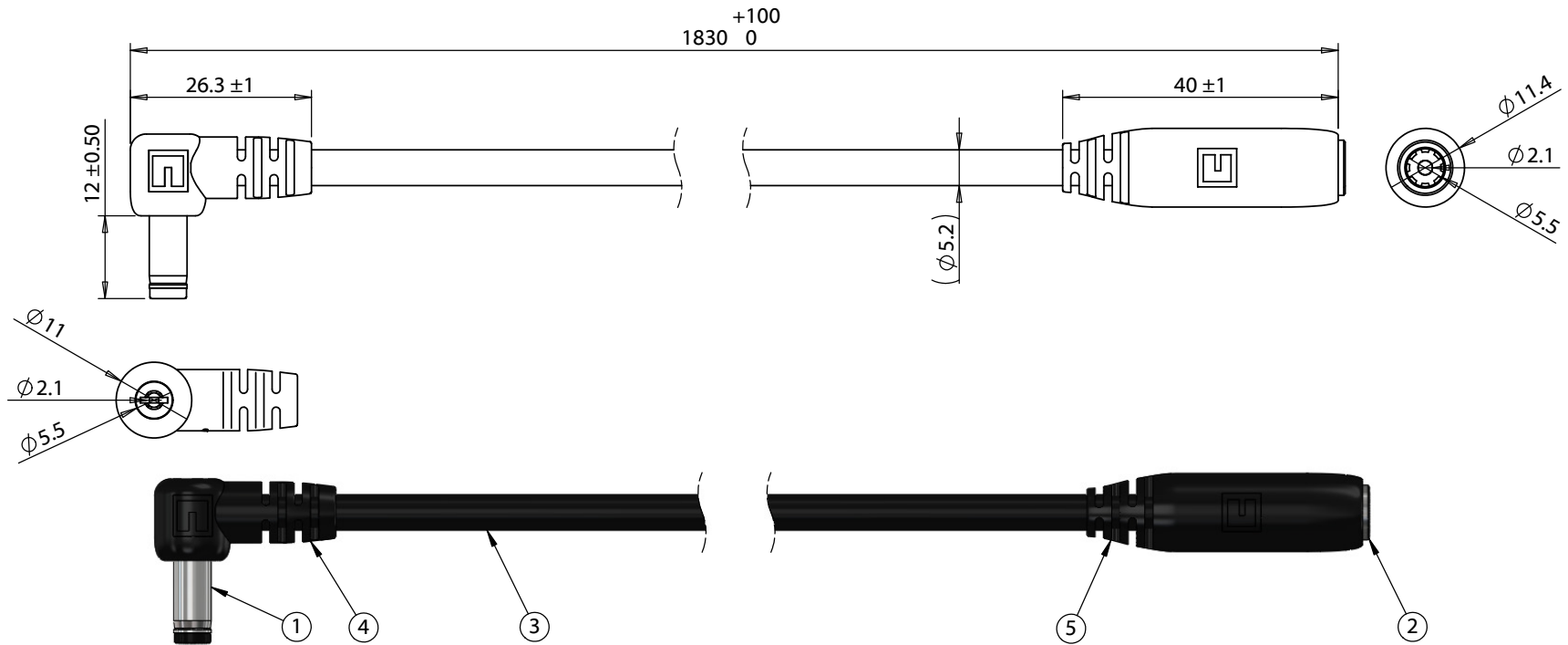


ITEM NO.	PART NUMBER	DESCRIPTION	QTY.	COMPONENT NOTES
1	50-00186	Connector, dc plug, 5.5x2.1xL20.5 mm, molding style, spring contacts	1	
2	50-00025	Connector, dc jack, 5.5x2.1xL17.4 mm, molding style	1	
3	30-00683	Wire, 2C TS, 18 AWG, UL2464, 300V, 80C, 5.2 mm, VW-1, PVC	1	
4	24-00185	Overmold, dc plug, 5.5 mm, 90°, Tensility	1	black
5	24-00183	Overmold, dc jack, 5.5 mm, Tensility	1	black



**Notes:**  
Functionally equivalent components may be substituted

Electrical requirements: 7.0 A, 48 Vdc

Wiring Diagram		
50-00186	wire color	50-00025
center	red	center
sleeve	black	sleeve

Revision:	Date:	Description:	Prepared:	Notes:	TENSILITY		
A	9/13/2016	Initial release		RoHS and REACH compliant	tel 1.541.323.3228 800 877.670.7118 fax 1.541.323.4202 web tensility.com		
A1	11/04/2016	Modified overmold dimensions	Verified:	Function test: no open, no short circuit, no intermittent			
			Dimensions are in millimeters. Tolerances: X: ± 0.5 mm X.X: ± 0.3 mm X.XX: ± 0.05 mm	Description: Cable, 1830 mm, 5.5x2.1x12mm 90° 50-00186 plug to 5.5x2.1mm 50-00025 jack, 18 AWG 30-00683 wire	Size: A	Part number: 10-02240	
					Scale: 1:1		Sheet 1 of 1