

324228 ✓ ACTIVE



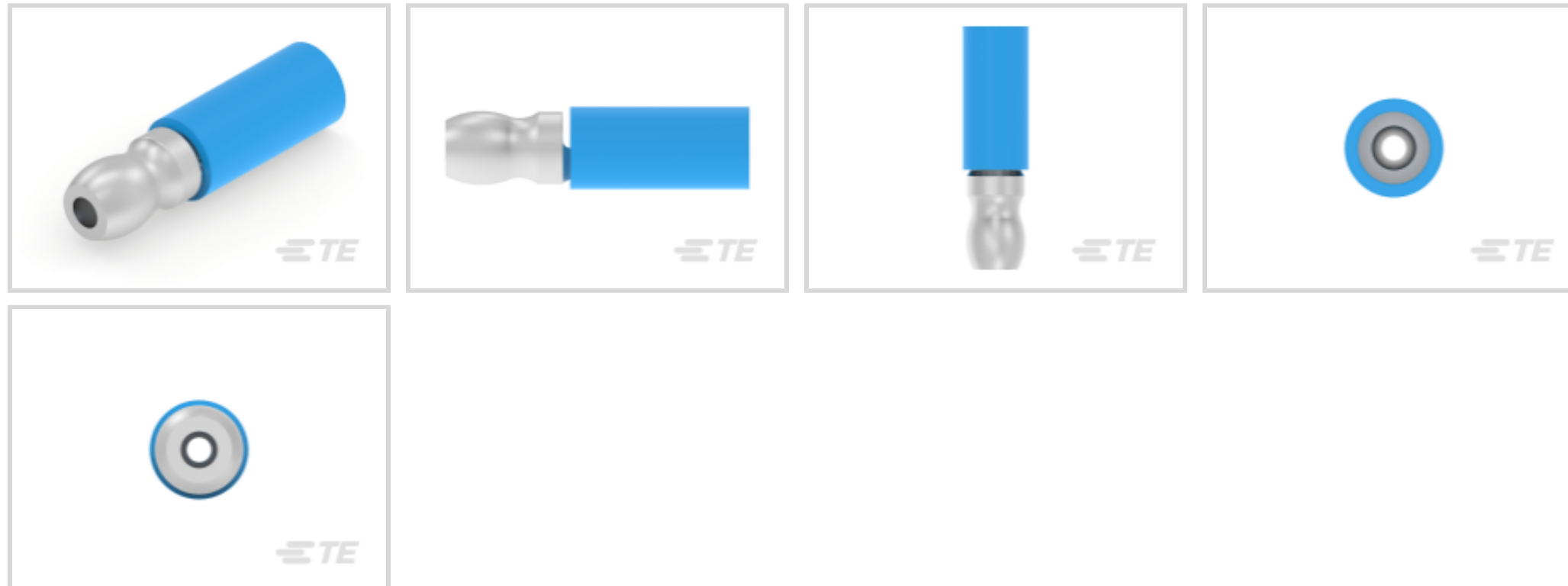
SHUR-PLUG

TE Internal #: 324228

Crimp Wire Pins, Tabs & Ferrules, Shur-Plug, Mating Pin Diameter
4.75 mm [.187 in], 16 - 14 AWG Wire Size, 1.25 - 2 mm² Wire Size,
SHUR-PLUG

[View on TE.com >](#)

Terminals & Splices > Crimp Wire Pins, Tabs & Ferrules



Crimp Wire Terminal Type: **Shur-Plug**

Mating Pin Diameter: **4.75 mm [.187 in]**

Compatible Insulation Diameter Range: **3 - 4.9 mm, 4.9 mm [.118 - .193 in, .193 in]**

Wire Size: **1.25 - 2 mm²**

Features

Product Type Features

Sealable	No
Compatible With Discrete Wire Type	Solid, Stranded
Wire Insulation Support Retention Type	Insulation Support

Configuration Features

Compatible With Wire & Cable Type	Discrete Wire
-----------------------------------	---------------

Body Features

Insulation Material	Vinyl
Primary Product Color	Blue

Contact Features

Crimp Wire Terminal Type	Shur-Plug
Mating Pin Diameter	4.75 mm [.187 in]
Barrel Type	Closed
Terminal Plating Material	Tin
Contact Shape & Form	Round



Terminal Orientation	Straight
----------------------	----------

Termination Features

Termination Method to Wire & Cable	Crimp
------------------------------------	-------

Mechanical Attachment

Wire Insulation Support	With
-------------------------	------

Dimensions

Compatible Insulation Diameter Range	3 - 4.9 mm, 4.9 mm [.118 - .193 in][.193 in]
--------------------------------------	--

Wire Size	2582 - 4106 CMA
-----------	-----------------

Terminal Material Thickness	.79 mm [.031 in]
-----------------------------	------------------

Overall Product Length	19.63 mm [.773 in]
------------------------	--------------------

Usage Conditions

Insulation Option	Partially Insulated
-------------------	---------------------

Operating Temperature Range	105 °C [221 °F]
-----------------------------	-----------------

Packaging Features

Packaging Method	Box
------------------	-----

Product Compliance

[For compliance documentation, visit the product page on TE.com>](#)

EU RoHS Directive 2011/65/EU	Compliant
------------------------------	-----------

EU ELV Directive 2000/53/EC	Compliant
-----------------------------	-----------

China RoHS 2 Directive MIIT Order No 32, 2016	No Restricted Materials Above Threshold
---	---

EU REACH Regulation (EC) No. 1907/2006	Current ECHA Candidate List: JAN 2024 (240) Candidate List Declared Against: JAN 2024 (240) Does not contain REACH SVHC
--	---

Halogen Content	Not Low Halogen - contains Br or Cl > 900 ppm.
-----------------	--

Solder Process Capability	Not applicable for solder process capability
---------------------------	--

Product Compliance Disclaimer

This information is provided based on reasonable inquiry of our suppliers and represents our current actual knowledge based on the information they provided. This information is subject to change. The part numbers that TE has identified as EU RoHS compliant have a maximum concentration of 0.1% by weight in homogenous materials for lead, hexavalent chromium, mercury, PBB, PBDE, DBP, BBP, DEHP, DIBP, and 0.01% for cadmium, or qualify for an exemption to these limits as defined in the Annexes of Directive 2011/65/EU (RoHS2). Finished electrical and electronic equipment products will be CE marked as required by Directive 2011/65/EU. Components may not be CE marked. Additionally, the part numbers that TE has identified as EU ELV compliant have a maximum concentration of 0.1% by weight in homogenous

materials for lead, hexavalent chromium, and mercury, and 0.01% for cadmium, or qualify for an exemption to these limits as defined in the Annexes of Directive 2000/53/EC (ELV). Regarding the REACH Regulation, the information TE provides on SVHC in articles for this part number is based on the latest European Chemicals Agency (ECHA) 'Guidance on requirements for substances in articles' posted at this URL: <https://echa.europa.eu/guidance-documents/guidance-on-reach>

Also in the Series | SHUR-PLUG

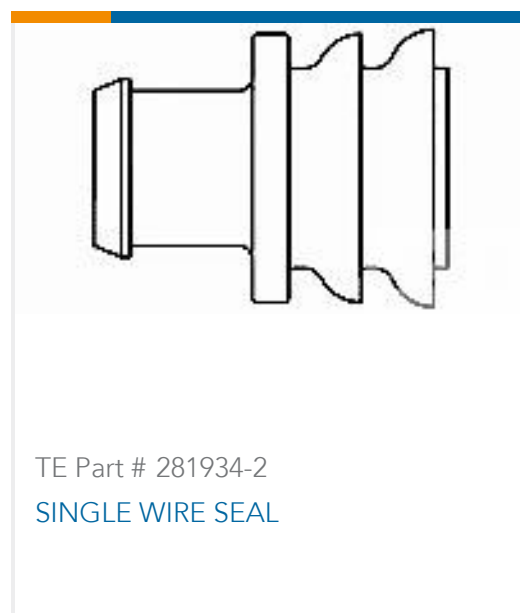


Crimp Terminal Housings(1)



Crimp Wire Pins, Tabs & Ferrules(9)

Customers Also Bought

TE Part # DT04-2P
REC, 2P, GRY, NTE Part # W2S
Wedgelocks: DEUTSCH DTTE Part # 0460-202-16141
DEUTSCH Solid ContactsTE Part # 282104-1
AMP SUPERSEAL 1.5MM,
CONNECTOR HOUSINGTE Part # DT06-2S
PLG, 2P, GRY, NTE Part # 281934-2
SINGLE WIRE SEALTE Part # 114017-ZZ
SEALING PLUG, SIZE 12/16, WHT

Documents

Product Drawings

[PG SHUR PLUG 16-14](#)

English

CAD Files

[3D PDF](#)

3D

Customer View Model

[ENG_CVM_CVM_324228_M.2d_dxf.zip](#)

English



Customer View Model

[ENG_CVM_CVM_324228_M.3d_igs.zip](#)

English

Customer View Model

[ENG_CVM_CVM_324228_M.3d_stp.zip](#)

English

Customer View Model

[ENG_CVM_324228_G1.3d_igs.zip](#)

English

Customer View Model

[ENG_CVM_324228_G1.3d_stp.zip](#)

English

Customer View Model

[ENG_CVM_324228_G1.2d_dxf.zip](#)

English

3D PDF

English

By downloading the CAD file I accept and agree to the [Terms and Conditions](#) of use.

Datasheets & Catalog Pages

[PLASTI GRIP_QRG](#)

English

[RADIATION_RESISTANT_PRE-INSULATED_TERMINALS_SPLICES](#)

English

[Standard Terminals & Splices](#)

English

Agency Approvals

[UL Report](#)

English