

1

2

3

4

5

6

7

A

A

B

B

C

C

D

D

E

E

F

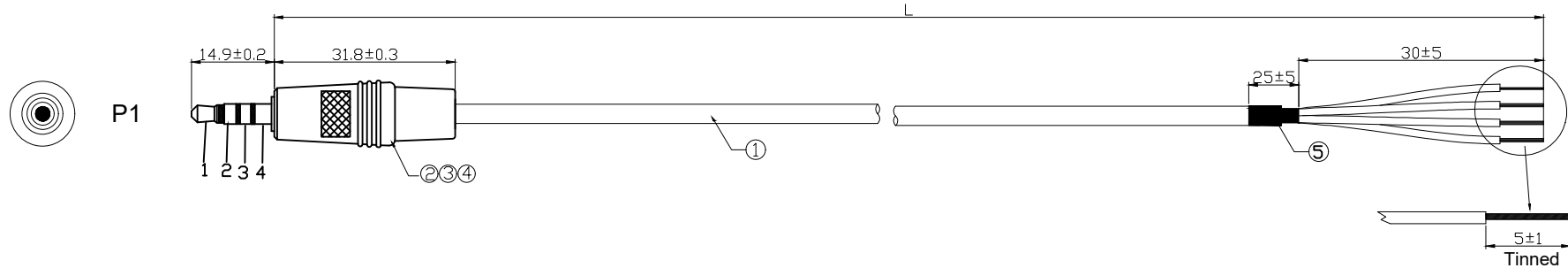
F

G

G

H

H



ITEM NO	L	Color
A-AV-02-45-28-183-S	1830±30mm	Black
A-AV-02-45-28-091-S	915±20mm	Black
A-AV-02-45-28-183-S1	1830±30mm	White
A-AV-02-45-28-091-S1	915±20mm	White

NOTE:
 1.100% OPEN SHORT & MISWIRE TEST.
 2.HIPOT TEST:AT DC300V
 3.INSULATION RESISTANCE:10M OHM/MIN.
 4.CONDUCTIVE RESISTANCE: 5 OHM/MAX.

PIN ASSIGNMENT

1	RED
2	WHITE
3	GREEN
4	BLACK

NO.	NAME	DESCRIPTION	Q'TY	UNIT
⑤	HT-TUBE	OD4.0mm,L=25mm	1	PCS
④	INNER MOLD	LDPE	N/A	G
③	OUTER MOLD	PVC , 45P	N/A	G
②	CONN	3.5ST MALE TRAY6.0MM,L=30MM, NICKEL PLATED	1	PCS
①	CABLE	NOUL 28AWG(7/0.12BC)*4C+A,80°C,OD3.8	1	PCS

RoHS compliant
 Unit: mm

Scale Free

TOLERANCE

DIM TOL

Angle TOL

Id.	Modification	Date	Name
①	Drawn	05.11.2021	Daniel

Date Name Customer-No.

Drawn 05.11.2021 Daniel

Approved 05.11.2021 Daniel

ASSMANN
WSW components

Customer-No.

ASSMANN WSW-No.
A-AV-02-45-28-xxx-x

Drawing-No.
ASS 10058 CA rev00

Replace Sheet 1/2

1

2

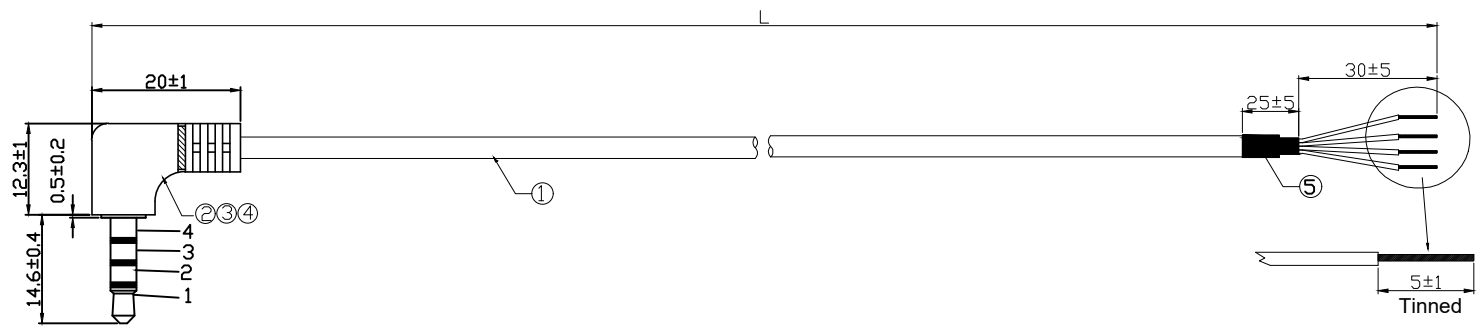
3

4

5

6

7



ITEM NO	L	Color
A-AV-02-45-28-183-S2	1830±30mm	Black
A-AV-02-45-28-091-S2	915±20mm	Black
A-AV-02-45-28-183-S3	1830±30mm	White
A-AV-02-45-28-091-S3	915±20mm	White

NOTE:
 1.100% OPEN SHORT & MISWIRE TEST.
 2.HIPOT TEST:AT DC300V
 3.INSULATION RESISTANCE:10M OHM/MIN.
 4.CONDUCTIVE RESISTANCE: 5 OHM/MAX.

PIN ASSIGNMENT
 P1 _____
 1 _____ RED
 2 _____ WHITE
 3 _____ GREEN
 4 _____ BLACK

NO.	NAME	DESCRIPTION	Q'TY	UNIT
⑤	HT-TUBE	OD4.0mm,L=25mm	1	PCS
④	INNER MOLD	LDPE	N/A	G
③	OUTER MOLD	PVC . 45P	N/A	G
②	CONN	3.5ST MALE TRAY6.0MM,L=30MM, NICKEL PLATED	1	PCS
①	CABLE	NOUL 28AWG(7/0.12BC)*4C+A,80°C,OD3.8	1	PCS

RoHS compliant
 Unit: mm

Scale	Free				Date	Name	Customer-No.
TOLERANCE				Drawn	05.11.2021	Daniel	ASSMANN WSW-No. A-AV-02-45-28-xxx-x
				Approved	05.11.2021	Daniel	
DIM	TOL						Drawing-No.
							ASS 10058 CA
Angle	TOL	Id.	Modification	Date	Name		rev00
							Sheet 2 / 2

