

1546746-3 ✓ ACTIVE

AMP | AMP CPC

TE Internal #: 1546746-3

Cable Clamp Kit, Nylon, Black, Shell Size 11, .453 in [11.51 mm]

Cable Entry, AMP CPC

[View on TE.com >](#)



Connectors > Connector Accessories > Connector Strain Relief



Strain Relief Accessory Type: **Cable Clamp Kit**

Primary Product Material: **Nylon**

Primary Product Color: **Black**

Compatible With Connector Shell Size: **11**

Cable Entry Diameter: **11.51 mm [.453 in]**

Features

Product Type Features

| | |
|------------------------------|-----------------|
| Strain Relief Accessory Type | Cable Clamp Kit |
|------------------------------|-----------------|

Body Features

| | |
|--------------------------|-------|
| Primary Product Material | Nylon |
| Primary Product Color | Black |

Mechanical Attachment

| | |
|-------------|----------------|
| Thread Size | 3/4-20 UNEF-2B |
|-------------|----------------|

Housing Features

| | |
|---------------------------------|-------------|
| Compatible With Connector Shape | Circular |
| Body Orientation | Right Angle |

Dimensions

| | |
|----------------------|--------------------|
| Cable Entry Diameter | 11.51 mm [.453 in] |
|----------------------|--------------------|

Operation/Application

| | |
|--------------------------------------|----|
| Compatible With Connector Shell Size | 11 |
| Shielded | No |



Packaging Features

| | |
|--------------------|-----|
| Packaging Method | Bag |
| Packaging Quantity | 1 |

Product Compliance

[For compliance documentation, visit the product page on TE.com>](#)

| | |
|---|---|
| EU RoHS Directive 2011/65/EU | Compliant |
| EU ELV Directive 2000/53/EC | Compliant |
| China RoHS 2 Directive MIIT Order No 32, 2016 | No Restricted Materials Above Threshold |
| EU REACH Regulation (EC) No. 1907/2006 | Current ECHA Candidate List: JAN 2024 (240) Candidate List Declared Against: JAN 2024 (240) Does not contain REACH SVHC |
| Halogen Content | Not Low Halogen - contains Br or Cl > 900 ppm. |
| Solder Process Capability | Not applicable for solder process capability |

Product Compliance Disclaimer

This information is provided based on reasonable inquiry of our suppliers and represents our current actual knowledge based on the information they provided. This information is subject to change. The part numbers that TE has identified as EU RoHS compliant have a maximum concentration of 0.1% by weight in homogenous materials for lead, hexavalent chromium, mercury, PBB, PBDE, DBP, BBP, DEHP, DIBP, and 0.01% for cadmium, or qualify for an exemption to these limits as defined in the Annexes of Directive 2011/65/EU (RoHS2). Finished electrical and electronic equipment products will be CE marked as required by Directive 2011/65/EU. Components may not be CE marked. Additionally, the part numbers that TE has identified as EU ELV compliant have a maximum concentration of 0.1% by weight in homogenous materials for lead, hexavalent chromium, and mercury, and 0.01% for cadmium, or qualify for an exemption to these limits as defined in the Annexes of Directive 2000/53/EC (ELV). Regarding the REACH Regulation, the information TE provides on SVHC in articles for this part number is based on the latest European Chemicals Agency (ECHA) 'Guidance on requirements for substances in articles' posted at this URL: <https://echa.europa.eu/guidance-documents/guidance-on-reach>

Compatible Parts



Also in the Series | [AMP CPC](#)



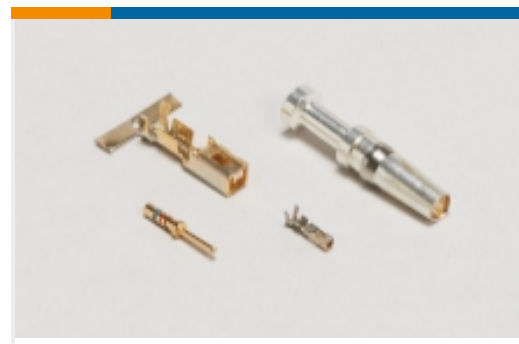
Circular Power Connectors(458)



Connector Backshells(1)



Connector Caps & Covers(19)



Connector Contacts(6)



Connector Hardware(12)



Connector Seals & Cavity Plugs(36)



Connector Strain Relief(60)

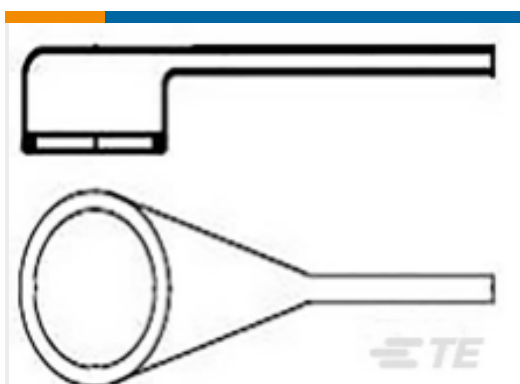


Insertion & Extraction Tools(1)

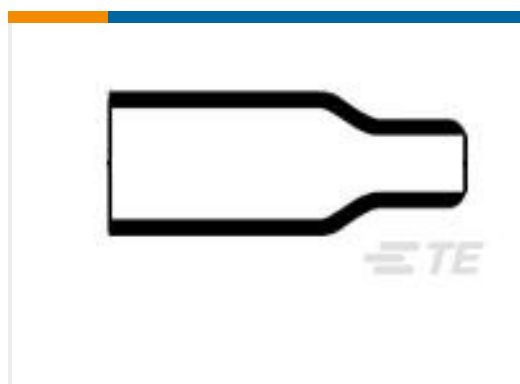


Sealing Sleeves(2)

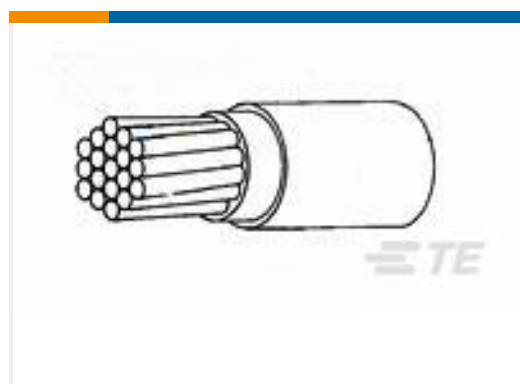
Customers Also Bought



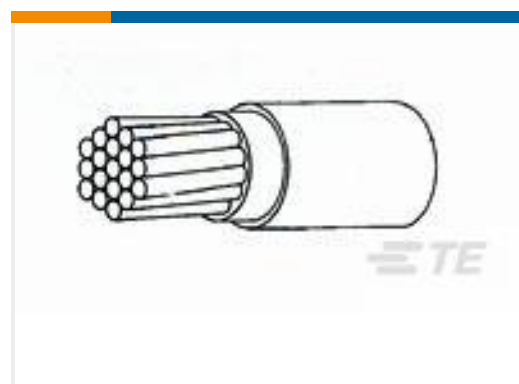
TE Part # 806806-000
Heat Shrink Boots: Lipped, Right Angle



TE Part # 900839-000
202A121-25/86-0



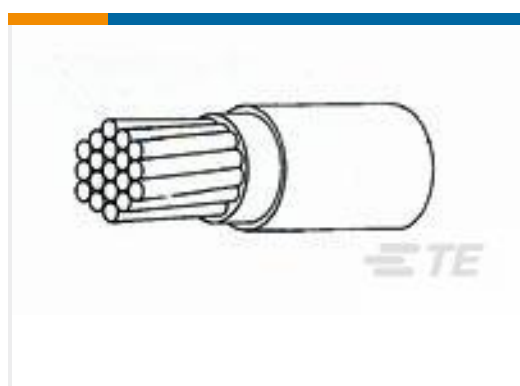
TE Part # 282039-017
44A0111-22-9



TE Part # 282049-023
44A0111-24-9



TE Part # 331006-005
55A1111-24-9-9



TE Part # 282026-019
44A0111-20-6



TE Part # 1231953001
VG-95218-T028-D001CK3100



TE Part # AAC1497-00
PC4B0029-19NY-1-ZN-BT

Documents



Product Drawings

[R/A STRN RELIEF KIT,SZ 11, MINI CPC](#)

English

CAD Files

Customer View Model

[ENG_CVM_1546746-3_C.3d_igs.zip](#)

English

Customer View Model

[ENG_CVM_1546746-3_C.3d_stp.zip](#)

English

Customer View Model

[ENG_CVM_1546746-3_C.2d_dxf.zip](#)

English

[3D PDF](#)

English

Customer View Model

[ENG_CVM_CVM_1546746-3_C.3d_igs.zip](#)

English

Customer View Model

[ENG_CVM_CVM_1546746-3_C.3d_stp.zip](#)

English

Customer View Model

[ENG_CVM_CVM_1546746-3_C.2d_dxf.zip](#)

English

[3D PDF](#)

3D

By downloading the CAD file I accept and agree to the [Terms and Conditions](#) of use.

Datasheets & Catalog Pages

[1-1773902-9_CPC_Catalog](#)

English

[1-1773902-9_CPC_Catalog](#)

[1-1773902-9_CPC_Catalog](#)

German

[1-1773902-9_CPC_Catalog](#)

Japanese

[AMP Circular Connectors for Commercial Signal & Power Applications Continued](#)

English