

1546350-2 ✓ ACTIVE

AMP | AMP CPC

TE Internal #: 1546350-2

Cable Clamp Kit, Thermoplastic, Black, Shell Size 23, .703 in [17.86 mm] Cable Entry, UL 94V-0, AMP CPC

[View on TE.com >](#)



Connectors > Connector Accessories > Connector Strain Relief > CPC Cable Clamps



Strain Relief Accessory Type: **Cable Clamp Kit**

Primary Product Material: **Thermoplastic**

Primary Product Color: **Black**

Compatible With Connector Shell Size: **23**

Cable Entry Diameter: **17.86 mm [.703 in]**

[All CPC Cable Clamps \(25\)](#)

Features

Product Type Features

Strain Relief Accessory Type	Cable Clamp Kit
------------------------------	-----------------

Body Features

Primary Product Material	Thermoplastic
Primary Product Color	Black

Mechanical Attachment

Thread Size	1-3/8-18 UNEF-2B
-------------	------------------

Housing Features

Compatible With Connector Shape	Circular
Body Orientation	Right Angle

Dimensions

Cable Entry Diameter	17.86 mm[.703 in]
----------------------	-------------------

Operation/Application



Compatible With Connector Shell Size	23
Shielded	No

Industry Standards

UL Flammability Rating	UL 94V-0
------------------------	----------

Packaging Features

Packaging Method	Individual
Packaging Quantity	1

Product Compliance

[For compliance documentation, visit the product page on TE.com>](#)

EU RoHS Directive 2011/65/EU	Compliant
EU ELV Directive 2000/53/EC	Compliant
China RoHS 2 Directive MIIT Order No 32, 2016	No Restricted Materials Above Threshold
EU REACH Regulation (EC) No. 1907/2006	Current ECHA Candidate List: JAN 2024 (240) Candidate List Declared Against: JUNE 2023 (235) Does not contain REACH SVHC
Halogen Content	Not Low Halogen - contains Br or Cl > 900 ppm.
Solder Process Capability	Not applicable for solder process capability

Product Compliance Disclaimer

This information is provided based on reasonable inquiry of our suppliers and represents our current actual knowledge based on the information they provided. This information is subject to change. The part numbers that TE has identified as EU RoHS compliant have a maximum concentration of 0.1% by weight in homogenous materials for lead, hexavalent chromium, mercury, PBB, PBDE, DBP, BBP, DEHP, DIBP, and 0.01% for cadmium, or qualify for an exemption to these limits as defined in the Annexes of Directive 2011/65/EU (RoHS2). Finished electrical and electronic equipment products will be CE marked as required by Directive 2011/65/EU. Components may not be CE marked. Additionally, the part numbers that TE has identified as EU ELV compliant have a maximum concentration of 0.1% by weight in homogenous materials for lead, hexavalent chromium, and mercury, and 0.01% for cadmium, or qualify for an exemption to these limits as defined in the Annexes of Directive 2000/53/EC (ELV). Regarding the REACH Regulation, the information TE provides on SVHC in articles for this part number is based on the latest European Chemicals Agency (ECHA) 'Guidance on requirements for substances in articles' posted at this URL: <https://echa.europa.eu/guidance-documents/guidance-on-reach>

Compatible Parts



TE Part # CAT-AM71-C83998BB
CPC SERIES 3



TE Part # CAT-AM71-C83998M
CPC Connectors, Series 2



TE Part # CAT-AM71-C83998J
Cable/Panel Mount Connector, CPC Series 1



TE Part # CAT-AM71-C83998F
Connectors with Posted Pin Contacts, CPC Series 1



TE Part # CAT-AM71-C83998CC
CPC Connector Housing, Series 4



TE Part # CAT-AM71-C83998E
Connectors with Posted Contacts, CPC Series 2



TE Part # CAT-AM71-C83998K
Circular Connector, Environmentally Sealed, CPC Series 6



TE Part # CAT-AM71-C83998Y
One-Piece Connector, Sealed, CPC Series 1



TE Part # 206306-2
23-37 F H RECEPT REV SEX



TE Part # 206306-5
CPC RECEPT ASSEMBLY SIZE 23-37




TE Part # 206306-1
23-37 RECEPT REV SEX



TE Part # 1-206934-1
CPC RECPT ASSEMBLY SIZE 23-37




TE Part # 1-206934-7
CPC RECPT ASSEMBLY SIZE 23-37




TE Part # CAT-AM71-C83998GG
Connectors with Posted Pin Contacts, Right Angle, CPC Series 1


Also in the Series | AMP CPC



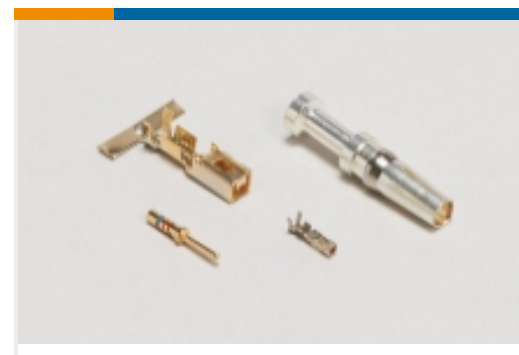
Circular Power Connectors(458)



Connector Backshells(2)



Connector Caps & Covers(16)



Connector Contacts(6)



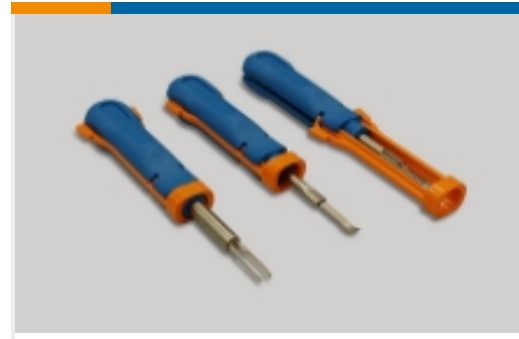
Connector Hardware(12)



Connector Seals & Cavity Plugs(36)



Connector Strain Relief(60)



Insertion & Extraction Tools(1)

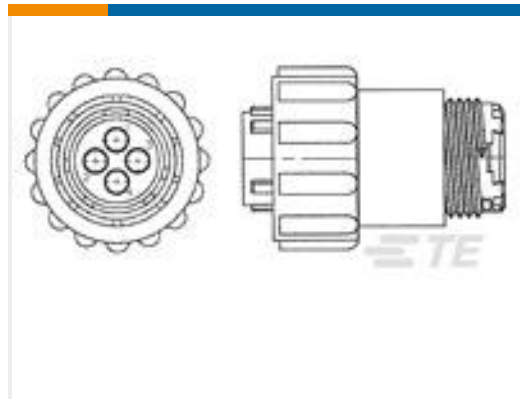


Sealing Sleeves(2)

Customers Also Bought



TE Part #206305-1
Circular Connector, Environmentally Sealed, CPC Series 6



TE Part #796188-1
SLD CPC PLUG ASSY,23-24,STD SX



TE Part #207486-1
SIZE 23-16 RECEPTACLE,CPC



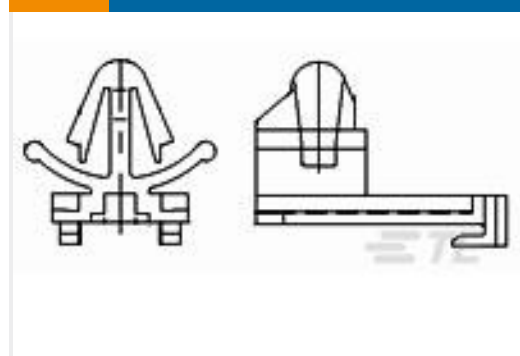
TE Part #1-66331-4
III+ SKT,24-20,TIN,STRIP



TE Part #CN2895-000
SBP075094WE10



TE Part #1SNG626017R0000
EP-SGL-M16-GR-F



TE Part #368128-1
CLIP FOR EJ MKII 2P PLUG ASS'Y



TE Part #1462047-7
IM40IGR=IM RELAY 100mW 1.5V BIS



TE Part #1480838-1
MAXI RELAY SUPPORT

Documents



Product Drawings

[R/A CABLE CLAMP KIT,SZ 23,CPC](#)

English

CAD Files

Customer View Model

[ENG_CVM_CVM_1546350-2_C1.3d_igs.zip](#)

English

Customer View Model

[ENG_CVM_CVM_1546350-2_C1.3d_stp.zip](#)

English

Customer View Model

[ENG_CVM_CVM_1546350-2_C1.2d_dxf.zip](#)

English

[3D PDF](#)

3D

By downloading the CAD file I accept and agree to the [Terms and Conditions](#) of use.

Datasheets & Catalog Pages

[AMP Circular Connectors for Commercial Signal & Power Applications](#)

English