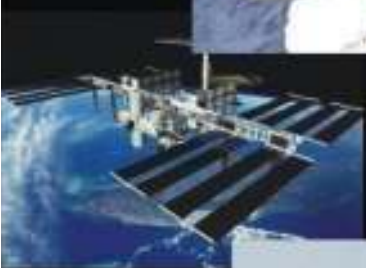


# Backshells



Amphenol

BS-2

## Amphenol... We Connect the world together

Amphenol is a leading Interconnect solution providing company with a product portfolio of connectors, accessories, cable assemblies and system integration for almost all applications across various industries. With connectors conforming to almost all Military, Aerospace and Industrial standards in US, Europe and Asia, Amphenol assumes the leadership in meeting the interconnect needs of these market segments.

The quality system is certified to ISO 9001:2000 standards and the new product development is customer driven. Amphenol, with its design, manufacturing facilities and sales offices spread across the globe, is well equipped to serve the customers locally, harnessing global synergy. Exceeding the expectations of customers and there by delighting them continually is an integral part of Amphenol practices.



With the widest range of circular connectors conforming to most Military (MIL) specifications in the product portfolio, Amphenol retains its undisputed leadership in these categories of products. Backshell is an integral part of any Circular connector when it comes to reliable cable connections. It is only logical for Amphenol to offer full range of Backshells as it creates newer values for our esteemed customers.

For details about our entire range of interconnect products, please visit our corporate website [www.amphenol.com](http://www.amphenol.com). Please visit [www.backshellworld.com](http://www.backshellworld.com) for more and up to date information on our backshell product line and industry trends.

## Why Amphenol for Backshells..?

### 3 Unique reasons..!!



#### Leaders in Circular Connectors

Amphenol companies in USA, Europe and Asia design, develop and manufacture circular connectors conforming to virtually all Military, Aerospace and Industrial standards for over 50 years. Since the Backshell is being used with connectors, every aspects of the connector design is to be considered while designing any Backshell. Amphenol, with its vast experience and expertise in connector design, has all the right inputs, both explicit and implicit, to make a good Backshell.



#### Cable Harnessing Expertise

Amphenol has already moved up the value chain from the connector manufacturing to cable harnessing and then the system integration. Such subsystem and system integration experience enables Amphenol to understand even the most intricate requirement in terms of the application of a Backshell accessory, which is always an integral part of such assembly. Such practical insights are valuable and never compensated.



#### Flexible and Fast Service

Amphenol has a variety of standard Backshells to suit most interconnect needs. The more exciting feature is that Amphenol can provide **custom designed Back shells** quickly. With the on-line design inputs and approval facility, implementation of such flexible service becomes fast and timely.

## CONTENTS

<b>GENERAL SECTION</b>		<b>Page No.</b>
Backshell Family		1
Angle / Profile		4
Coupling Styles		5
<b>How to select a Suitable Backshells....?</b>		<b>6</b>
Connector Group (Tables-1 A,B,C,D)		7 - 11
Material & Finish (Table-2)		12
Assembly Torque Value		13
<b>DETAILED SECTION</b>	<b>Section</b>	<b>Page No.</b>
Non - Environmental Backshell	I	I-1 - I-6
Environmental Backshell	II	II-1 - II-11
Non-environmental EMI / RFI Backshell	III	III-1 - III-13
Environmental EMI / RFI Backshell	IV	IV-1 - IV-19
Shrink Boot Adaptor	V	V-1 - V-3
Crimp Ring Adaptor	VI	VI-1 - VI-4
Band Lock Adaptor	VII	VII-1 - VII-3
Pre-shield Adaptor	VIII	VIII-1 - VIII-6
Quick Clamp	IX	IX-1 - IX-3
Strain Relief Clamp	X	X-1 - X-12
Grommet Nut	XI	XI-1 - XI-3
Cross Reference		Appendix 1

## BACKSHELL FAMILY

Amphenol Backshells are available in different types for variety of applications. In ground and naval application the robustness and environmental sealing may be more important, where as weight may be prime consideration for space and Aerospace application. The following section explains the various families of Amphenol Backshells with its applications.

Some families of Backshells shown here can be used without any additional protection. Some other types of Backshells shown are generally used with heat shrink boots or similar protection/strain relief mechanism depending upon the specific requirements. Also there are some Clamps & Nuts for the applications where varying degrees of strain reliefs and cable holding will suffice and weight saving is of higher importance

### Non Environmental Backshell



Amphenol Non Environmental Backshell is an effective cable holding mechanism with good strain relief when the environmental protection of the cable termination area is not a concern. Amphenol offers cost effective solutions by eliminating extra sealing parts.

This type of Backshell is suitable for an inside the box/climate controlled room application where heavy cabling should be supported with adequate strain relief.

### Environmental Backshell



These Backshells from Amphenol not only provide the cable support and strain relief, but ensure the cable sealing and environment protection by means of high quality sealing grommet and grommet follower. The strain relief nut is tightened squeezing the grommet on to the cable jacket during assembly. These Backshells from Amphenol give 6 feet water sealing protection when used with perfectly jacketed cable and are suitable for harsh environment applications.

### Non-Environmental EMI/RFI Backshell



360-degree screen termination facility is offered in this Backshell in addition to other features of the Non-Environmental type. Available in straight, 90 degree bent and 45 degree bent varieties, it accommodates both individual and overall shielding.

## BACKSHELL FAMILY

### Environmental EMI/RFI Backshell



Both individual and overall shieldings can be terminated in this type in addition to the cable sealing as possible in the Environmental Backshell. It is an ideal choice for heavy duty cabling solutions in harsh environment situations where electromagnetic and radio frequency noises are to be isolated.

### Shrink Boot Adaptor



Amphenol shrink boot adaptor is a good option when the unshielded cables are terminated with heat shrink boots. It has a groove where the boot lip can be held which provides good grip apart from sufficient space inside for the cable looping.

Using the heat shrink boot is one way of providing environmental protection and strain relief to cable termination. Using a suitable adaptor is essential here to ensure the repairability. Amphenol shrink boot adaptor is designed to provide excellent characteristics in all these parameters.

### Crimp Ring Adaptor



Many cable terminations where heat shrink boots are used will require provision for terminating the screens too. It is achieved in this type of back shell through a ring, which can be crimped to the back shell body holding the screens in between.

### Band Lock Adaptor



This is another method of termination of screens. A high quality band will do the job in this back shell. Tempered bands are tightened over the shields, which is pulled over the banding area, using special assembly tools. Suitable over cover by heat shrink boot or some other method as chosen by the designer could be used. Both crimp ring and banded terminations give a low DC resistance.

### Pre-Shield Adaptor



This adaptor is supplied with some length of braid attached. This braid overlaps with the cable braid and effective shielding takes place due to its 360° contact. It is designed to accept heat shrink boot. Ease and less time for cable termination are the prime advantages here.

## BACKSHELL FAMILY

### SQ Adaptor



This is another cost effective way to terminate the braid to the adaptor. The braid is pulled over the conical shape to the rear end of the adaptor and tied. The end nut is tightened to ensure adequate grip for the shielding. Heat shrink boot can be used with this adaptor too.

### Quick Clamp



Many applications call for just tidying up the cable in the desired direction with a "minimum weight" consideration. Amphenol Quick Clamps are useful for such applications. It finds applications in interior wiring of flying machines

### Strain Relief Clamp



Amphenol Strain Reliefs not only tidy-up the cable after termination but provide good strain relief at the termination area. It is a cost effective cable holding option when environmental protection is not a concern, and weight saving is a major consideration

### Grommet Nut



Amphenol Back Nut provide a good grommet-holding force for the crimp connectors, when expensive and heavy back shells are not used. Such holding force is essential to hold the contacts and grommet in place when terminated with wire bundles.

### Lamp Thread Adaptor

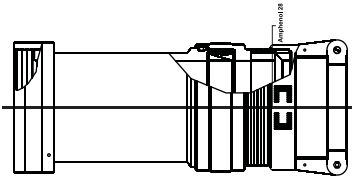


This adaptor is designed with threads similar to that in the lamp base for shield termination. It is very effective, easy and quick method of shield termination and field maintenance is also effortless. The termination area is designed to accept 'Nut' as well as 'Clamp'. The nut option enables the use of heat shrink boot and the clamp option will facilitate the strain relief clamping without heat shrink boot after the shield/cable termination.

## ANGLE / PROFILE

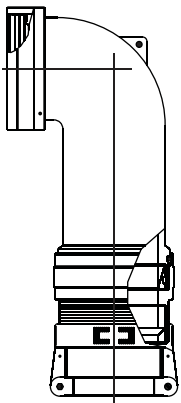
Amphenol Backshells are available in three different angular profiles as given in the section. These profiles will meet most of the cable routing required in the interconnect market. We can also make additional profiles if required. Please contact the factory or go to the web link <http://www.backshellworld.com/customdesign.asp> for the same.

### Straight Backshells



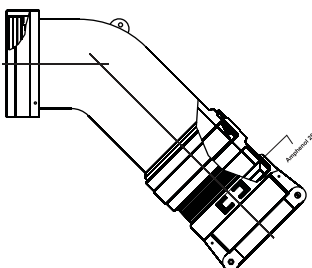
Straight Backshells are available in different length and cable entry diameter for most applications. Different cable and braid terminating systems are also available as shown in the respective product sections

### 90° bent Backshells



Many applications require the cable to be bent and routed rather than straight routing. Space saving and convenience are two important features here. Amphenol offers 90° bent style in all the Backshell families.

### 45° bent Backshells



Amphenol offers yet another style which allows the cable to be routed in 45° to the axis of the assembly. This increases the design flexibility.



## COUPLING STYLE

Various coupling styles as shown here are possible for the coupling between the Backshell and the connector. Popular styles are shown in the respective Backshell section. However we can make all profiles for any Backshell. Please contact the factory or go to the web link <http://www.backshellworld.com/customdesign.asp> for addressing your specific need.

### Spin Coupling



The coupling nut is captivated in the Backshell follower by suitable retention mechanism. This style facilitates the free rotation of the coupling nut and hence assembly of Backshell to the connector becomes easy without turning the entire Backshell body. Lock wire holes are provided on the coupling nut to prevent accidental de-coupling when specified.

### Self-Lock Coupling



This style is same as that of Spin Coupling with the additional feature of 'self locking'. The free movement of the coupling nut is arrested by suitable device so that the accidental de-coupling is prevented within the specified vibration levels.

### Direct coupling



The coupling nut is eliminated in this design. Coupling end of the Backshell is designed for the direct fitment to the connector. This style finds applications when simple direct connectivity is sufficient.

## How to select a suitable Backshell ?

1. Based on the design and application considerations select the backshell type from the "Backshell Family" section in pages: 1-3
2. Go thru the "Angle/profile" and "Coupling Style" sections in pages: 4-5 and make up your mind about the configuration which suites your application.
3. Scan "Connector Group"(Tables:1A-D) in pages: 7-11 and find out the group code of the connector for which you require the backshell.
4. Go to the respective detailed "Backshell family" section from Page: **I-1** where get in to the respective "Connector group"- "Angle/Profile" sub section and zero-in to the appropriate backshell version.
5. Complete the part number by selecting relevant data from the correct diagram and tables in the same section. Please go to Page-12 for Table-2, which gives many options for "Material & Finish".

This selection could be done in much easier way from our web link  
**[Http://www.backshellworld.com/backshelldesigner.asp](http://www.backshellworld.com/backshelldesigner.asp)**

## Cross reference to other make Backshells.

If you have a Military part number or other manufacturer's part number for which you are looking for equivalent item, we have provided the same too in our web link **<http://www.backshellworld.com/crossreference.aspx>** which you will find very user friendly.

Cross reference to the Military designation is provided in the Appendix - 1 of this catalogue.

## Custom built Backshells

Backshells for Military & Aerospace applications are governed by SAE, AS85049 standard and Amphenol Backshells are designed to meet the requirement of this standard. Though this standard covers most popular styles of Backshells, many applications call for additional styles and designs. Here is where the capability of Amphenol will come for your help. We will support you from the concept to product realization and thereby your unique specification need is satisfied. Please visit our web link **<http://www.backshellworld.com/customdesign.asp>** for further help

## Connector Group (Table - 1 A, B, C, D)

### By Specification (TABLE-1A)

Connector Specification	Series/Class	Connector Group Code
40M38277		K
40M39569		J
BS9520	G0001	K
BS9520	G0002	K
BS9520	G0003	L
BS9522 F0001	Patt 602	J
BS9522 F0012	Patt 615	M
BS9522 F0017	Patt 105	N
BS9522 F0020	Patt 608	N
BS9522 F0029	Patt 616	K
BS9522 F0042		J
BS9522 N0001	Patt 603	N
BS9522 N0003	Patt 614	K
CECC 75201.001		J
CECC 75201.002		L
DEF 5326-3		J
EN 2997		J
EN 3645		L
EN 3646		J
EN3372		M
ESC 10		J
ESC11		J
JN1003		M
LN 29504		J
LN 29728		J
LN29729		M
MIL-C-81703	3	J
MIL-DTL-26482	2	J
MIL-DTL-38999	I	K
MIL-DTL-38999	II	K
MIL-DTL-38999	III	L
MIL-DTL-38999	IV	L
MIL-DTL-5015	MS340	J
MIL-DTL-5015	MS345	J
MIL-DTL-83723	I	J
MIL-DTL-83723	III	J
NAS 1599		J
NFC93422	HE302	J
NFC93422	HE306	M
NFC93422	HE308	K
NFC93422	HE309	K
NFL 54140		J
PAN 6432-1		J
PAN 6432-2		J
PAN 6433-1		K
PAN6433-2		M
VG 96912	2	K
VG 96912	1	M

### By Military Part Number prefix (TABLE-1B)

Military part number prefix	Specification	Series/Class	Connector group code
D38999/20	MIL-DTL-38999	III	L
D38999/24	MIL-DTL-38999	III	L
D38999/26	MIL-DTL-38999	III	L
D38999/40	MIL-DTL-38999	IV	L
D38999/42	MIL-DTL-38999	IV	L
D38999/46	MIL-DTL-38999	IV	L
D38999/47	MIL-DTL-38999	IV	L
M83723/01	MIL-DTL-83723	I	J
M83723/02	MIL-DTL-83723	I	J
M83723/03	MIL-DTL-83723	I	J
M83723/04	MIL-DTL-83723	I	J
M83723/05	MIL-DTL-83723	I	J
M83723/06	MIL-DTL-83723	I	J
M83723/07	MIL-DTL-83723	I	J
M83723/08	MIL-DTL-83723	I	J
M83723/13	MIL-DTL-83723	I	J
M83723/14	MIL-DTL-83723	I	J
M83723/36	MIL-DTL-83723	I	J
M83723/37	MIL-DTL-83723	I	J
M83723/38	MIL-DTL-83723	I	J
M83723/39	MIL-DTL-83723	I	J
M83723/40	MIL-DTL-83723	I	J
M83723/41	MIL-DTL-83723	I	J
M83723/42	MIL-DTL-83723	I	J
M83723/43	MIL-DTL-83723	I	J
M83723/48	MIL-DTL-83723	I	J
M83723/49	MIL-DTL-83723	I	J
M83723/65	MIL-DTL-83723	III	J
M83723/66	MIL-DTL-83723	III	J
M83723/67	MIL-DTL-83723	III	J
M83723/68	MIL-DTL-83723	III	J
M83723/69	MIL-DTL-83723	III	J
M83723/71	MIL-DTL-83723	III	J
M83723/72	MIL-DTL-83723	III	J
M83723/73	MIL-DTL-83723	III	J
M83723/74	MIL-DTL-83723	III	J
M83723/75	MIL-DTL-83723	III	J
M83723/76	MIL-DTL-83723	III	J
M83723/77	MIL-DTL-83723	III	J
M83723/78	MIL-DTL-83723	III	J
M83723/82	MIL-DTL-83723	III	J
M83723/83	MIL-DTL-83723	III	J
M83723/84	MIL-DTL-83723	III	J
M83723/85	MIL-DTL-83723	III	J
M83723/86	MIL-DTL-83723	III	J
M83723/87	MIL-DTL-83723	III	J
M83723/91	MIL-DTL-83723	III	J
M83723/92	MIL-DTL-83723	III	J
M83723/95	MIL-DTL-83723	III	J
M83723/96	MIL-DTL-83723	III	J

Table Continued

## Connector Group (Table - 1 A, B, C, D)

### By Military Part Number prefix (TABLE-1B)

Military part number prefix	Specification	Series/Class	Connector group code
M83723/97	MIL-DTL-83723	III	J
M83723/98	MIL-DTL-83723	III	J
MS27466	MIL-DTL-38999	I	K
MS27467	MIL-DTL-38999	I	K
MS27468	MIL-DTL-38999	I	K
MS27472	MIL-DTL-38999	II	K
MS27473	MIL-DTL-38999	II	K
MS27474	MIL-DTL-38999	II	K
MS27475	MIL-DTL-38999	II	K
MS27479	MIL-DTL-38999	II	K
MS27480	MIL-DTL-38999	II	K
MS27481	MIL-DTL-38999	II	K
MS27482	MIL-DTL-38999	II	K
MS27484	MIL-DTL-38999	II	K
MS27497	MIL-DTL-38999	II	K
MS27498	MIL-DTL-38999	I	K
MS27500	MIL-DTL-38999	II	K
MS27652	MIL-DTL-38999	I	K
MS27653	MIL-DTL-38999	I	K
MS27654	MIL-DTL-38999	I	K
MS27656	MIL-DTL-38999	I	K
MS27665	MIL-DTL-38999	I	K
MS3400	MIL-DTL-5015	MS340/MS345	J
MS3401	MIL-DTL-5015	MS340/MS345	J
MS3404	MIL-DTL-5015	MS340/MS345	J
MS3406	MIL-DTL-5015	MS340/MS345	J
MS3408	MIL-DTL-5015	MS340/MS345	J
MS3409	MIL-DTL-5015	MS340/MS345	J
MS3412	MIL-DTL-5015	MS340/MS345	J
MS3424	MIL-C-81703	3	J
MS3446	MIL-C-81703	3	J
MS3450	MIL-DTL-5015	MS340/MS345	J
MS3451	MIL-DTL-5015	MS340/MS345	J
MS3454	MIL-DTL-5015	MS340/MS345	J
MS3456	MIL-DTL-5015	MS340/MS345	J
MS3459	MIL-DTL-5015	MS340/MS345	J
MS3464	MIL-C-81703	3	J
MS3467	MIL-C-81703	3	J
MS3468	MIL-C-81703	3	J
MS3470	MIL-DTL-26482	2	J
MS3471	MIL-DTL-26482	2	J
MS3472	MIL-DTL-26482	2	J
MS3474	MIL-DTL-26482	2	J
MS3475	MIL-DTL-26482	2	J
MS3476	MIL-DTL-26482	2	J
NAS1599	MIL-C-81703	3	J
NAS1641	MIL-C-81703	3	J
NAS1642	MIL-C-81703	3	J
NAS1643	MIL-C-81703	3	J
NAS1650	MIL-C-81703	3	J
NAS1651	MIL-C-81703	3	J
NAS1652	MIL-C-81703	3	J
NAS1653	MIL-C-81703	3	J
NAS1692	MIL-C-81703	3	J
NAS1693	MIL-C-81703	3	J
NAS1694	MIL-C-81703	3	J

Table Continued

### By Military Part Number prefix (TABLE-1B)

Military part number prefix	Specification	Series/Class	Connector group code
NAS1699	MIL-C-81703	3	J
NAS1700	MIL-C-81703	3	J
NAS1701	MIL-C-81703	3	J
NAS1702	MIL-C-81703	3	J
NATC00	SSQ21635		L
NATC06	SSQ21635		L
NATC07	SSQ21635		L
NB4	40M39569		J
NB6	40M39569		J
NB6G	40M39569		J
NB7	40M39569		J
NBO	40M39569		J
NLS6	40M39569		K
NLS6G	40M39569		K
NLS7	40M39569		K
NLSO	40M39569		K

## Connector Group (Table - 1 A, B, C, D)

By Manufacturer's Part Number prefix (TABLE-1C)

Manufacturer's part number	Manufacturer	Connector group code
10-475	Amphenol/Bendix/Socapex/Pyle	K
118	Amphenol/Bendix/Socapex/Pyle	J
162GB	Amphenol/Bendix/Socapex/Pyle	N
2PSN	Plessey Connector	N
381	Deutsch	J
418-1	Amphenol/Bendix/Socapex/Pyle	K
418-2	Amphenol/Bendix/Socapex/Pyle	K
418-5	Amphenol/Bendix/Socapex/Pyle	M
486	Amphenol/Bendix/Socapex/Pyle	J
518	Amphenol/Bendix/Socapex/Pyle	J
602GB	Amphenol/Bendix/Socapex/Pyle	J
62GB	Amphenol/Bendix/Socapex/Pyle	N
65	Glenair	L
652	Amphenol/Bendix/Socapex/Pyle	J
66	Glenair	L
711	Amphenol/Bendix/Socapex/Pyle	J
801	Amphenol/Bendix/Socapex/Pyle	J
837	Deutsch	J
83723	Souriau	J
83730	Deutsch	J
851	Souriau	N
8520	Souriau	J
8525	Souriau	J
8526	Souriau	J
853	Souriau	J
8533	Souriau	J
8534	Souriau	J
857	Souriau	J
89	Souriau	J
8D	Souriau	L
8LT	Souriau	K
8ST	Souriau	M
8T	Souriau	K
91-483	Amphenol/Bendix/Socapex/Pyle	J
944	Matrix	J
951	Deutsch	J
951-50	Deutsch	J
981	Matrix	J
983	Deutsch	J
991	Deutsch	J
999.1	Deutsch	K
ABJ	AB Electronics	K
AE22	Aero-Electric	L
AE46	Aero-Electric	K
AE47	Aero-Electric	K
AE48	Aero-Electric	K
AE49	Aero-Electric	K
AE55	Aero-Electric	J
AE77	Aero-Electric	J
AE83	Aero-Electric	J
AFD	Deutsch	J
AFD5	Deutsch	J
AFE	Deutsch	J
B	Amphenol/Bendix/Socapex/Pyle	J
BE	Amphenol/Bendix/Socapex/Pyle	J
BL	Flight Connector	L
BT	Amphenol/Bendix/Socapex/Pyle	J
BY1	Amphenol/Bendix/Socapex/Pyle	J

Table Continued

By Manufacturer's Part Number prefix (TABLE-1C)

Manufacturer's part number	Manufacturer	Connector group code
CGK	ITT Cannon	M
CN0930	TRW	J
CNO	G & H technology	L
CNO930	Labinal/Cinch	J
CT	Burndy	K
CT	Plessey Connector	K
CT-R	AB Electronics	K
CT-R	Plessey Connector	K
CV340	ITT Cannon	J
CV345	ITT Cannon	J
D817	Deutsch	J
DBA	Deutsch	J
DBA7	Deutsch	J
DBAS	Deutsch	J
DFE	Deutsch	J
DIV4	Deutsch	L
DL	Deutsch	J
DL6	Deutsch	J
DTS	Deutsch	L
DVG	Deutsch	J
EA	Amphenol/Bendix/Socapex/Pyle	J
EB	Amphenol/Bendix/Socapex/Pyle	J
EEG	Amphenol/Bendix/Socapex/Pyle	J
ES	Amphenol/Bendix/Socapex/Pyle	J
ET	Amphenol/Bendix/Socapex/Pyle	J
FDBA	Deutsch	J
FF	Deutsch	J
FF	Flight Connector	J
FH	Flight Connector	J
HDJ	Deutsch	M
HTMF	ITT Cannon	J
JT	Amphenol/Bendix/Socapex/Pyle	K
JT 3400	J-Tech	J
JT 3450	J-Tech	J
JT-R	FKI	K
JT-R	Teldix	K
JTVG 95234	J-Tech	J
JVS	Souriau	L
KJ	ITT Cannon	K
KJA	ITT Cannon	L
KJAD/V4	ITT Cannon	L
KJL	ITT Cannon	K
KV-R	ITT Cannon	J
LJT	Amphenol/Bendix/Socapex/Pyle	K
LS	Amphenol/Bendix/Socapex/Pyle	J
LTT	FKI	K
MB1	Matrix	J
MB3	Matrix	J
MB9	Matrix	K
MD	Matrix	J
MF	ITT Cannon	J
MFG	ITT Cannon	J
MK 12	AB Electronics	N
MK 18	AB Electronics	N
MK 8	AB Electronics	N
MK12	Plessey Connector	N
MK25	Plessey Connector	K
MK38	Plessey Connector	K

Table Continued

## Connector Group (Table - 1 A, B, C, D)

By Manufacturer's Part Number prefix (TABLE-1C)

Manufacturer's part number	Manufacturer	Connector group code
MK8	Plessey Connector	N
ML94	Matrix	L
MQ3	Matrix	J
MT3	Matrix	J
MT93	Matrix	L
P5	Plessey Connector	N
PL	Deutsch	L
PT	ITT Cannon	N
PT33	FKI	N
PT33SE	FKI	N
PT44	FKI	N
PT44SE	FKI	N
PT55	FKI	N
PT55SE	FKI	N
PT77	FKI	N
PT77SE	FKI	N
PTG55	FKI	N
PTG55SE	FKI	N
PTS-DR	Amphenol/Bendix/Socapex/Pyle	J
PT-SE	ITT Cannon	N
PV7	ITT Cannon	J
PVA	ITT Cannon	J
PV-G	ITT Cannon	J
PVJ	ITT Cannon	J
PV-S	ITT Cannon	J
PVW	ITT Cannon	J
PVX	ITT Cannon	J
RD1	Raychem	J
RR	Deutsch	J
RR20	Deutsch	J
RR50	Deutsch	J
RR70	Deutsch	J
RR70	Deutsch	J
SA	SAE	J
SJT	Amphenol/Bendix/Socapex/Pyle	M
STT	FKI	M
STT	ITT Cannon	M
T3	Amphenol/Bendix/Socapex/Pyle	L
TT	FKI	K
TT / TTPQ	ITT Cannon	K
TT / TTPQ	ITT Cannon	K
TV	Amphenol/Bendix/Socapex/Pyle	L
TVP	FKI /Bendix	L
TVRB	Amphenol/Bendix/Socapex/Pyle	L
TVS	Amphenol/Bendix/Socapex/Pyle	L
VTT	FKI	L

## Connector Group (Table - 1 A, B, C, D)

### By Manufacturer (TABLE-1D)

Manufacturer's part number prefix	Connector group code
<b>AB Electronics</b>	
ABJ	K
CT-R	K
MK 12	N
MK 18	N
MK 8	N
<b>Aero-Electric</b>	
AE22	L
AE46	K
AE47	K
AE48	K
AE49	K
AE55	J
AE77	J
AE83	J
<b>Amphenol/Bendix/ Socapex/Pyle</b>	
10-475	K
118	J
162GB	N
418-1	K
418-2	K
418-5	M
486	J
518	J
602GB	J
62GB	N
652	J
711	J
801	J
91-483	J
B	J
BE	J
BT	J
BY1	J
EA	J
EB	J
EEG	J
ES	J
ET	J
JT	K
LJT	K
LS	J
PTS-DR	J
SJT	M
T3	L
TV	L
TVRB	L
TVS	L

Manufacturer's part number prefix	Connector group code
<b>Burndy</b>	
CT	K
<b>Deutsch</b>	
381	J
837	J
83730	J
RR70	J
RR70	J
<b>FKI</b>	
JT-R	K
LTT	K
PT33	N
PT33SE	N
PT44	N
PT44SE	N
PT55	N
PT55SE	N
PT77	N
PT77SE	N
PTG55	N
PTG55SE	N
STT	M
TT	K
VTT	L
TVP	L
<b>Flight Connector</b>	
BL	L
FF	J
FH	J
<b>G &amp; H technology</b>	
CNO	L
<b>Glenair</b>	
65	L
66	L
<b>ITT Cannon</b>	
CGK	M
CV340	J
CV345	J
HTMF	J
KJ	K
KJA	L
KJAD/V4	L
KJL	K
MB3	J
MB9	K
MD	J
ML94	L
MQ3	J
MT3	J
MT93	L

Manufacturer's part number prefix	Connector group code
<b>Plessey Connector</b>	
2PSN	N
CT	K
CT-R	K
MK12	N
MK25	K
MK38	K
MK8	N
P5	N
<b>Raychem</b>	
RD1	J
<b>Souriau</b>	
83723	J
851	N
8520	J
8525	J
8526	J
853	J
8533	J
8534	J
857	J
89	J
8D	L
8LT	K
8ST	M
8T	K
JVS	L
<b>Teldix</b>	
JT-R	K
<b>TRW/Cinch</b>	
CN0930	J

## MATERIAL AND FINISHES

### FINISH (TABLE-2)

Amphenol offers adaptors in the following standard finishes, which are not exhaustive. For additional finishes specially required if any, please contact factory. The base material is Aluminium alloy.

**Table-2 (Plating Finishes)**

Amphenol Designation	MIL designation	Finish	Guiding specifications/Requirements
A	A	Anodize,Black*	To meet AS85049 requirements
B		Anodize,Hard*	AMS-A-8625,Type-III,Class-1
L		Nickel,Bright	AMS-QQ-290,Class-1,Grade-F
M		Electroless Nickel	AMS-C-26074,Class-4,grade-B
N	N	Electroless Nickel	To meet AS85049 requirements
C		Cadmium,Bright	AMS-QQ-P-416,Type-I,Class-2
U		Cadmium,Olive drab	AMS-QQ-P-416,Type-II,Class-3
V		Cadmium,Olive drab over Electroless Nickel	AMS-QQ-P-416,Type-II,Class-3(Cadmium); AMS-C-26074,Class-4,grade-B(Nickel)
W	W	Cadmium,Olive drab over Electroless Nickel	To meet AS85049 requirements
Y		Zinc-Cobalt,Dark Olive drab	ASTM-B840
Z		Zinc-Cobalt,Black	ASTM-B840

\* Non conductive coatings.

### MATERIAL:

Aluminum parts: As per ASTM B 211,221,209,85,26  
 Steel parts: 300series,as per AMS-QQ-S-763/ASTM A 582  
 Elastomers: Fluro Silicon, Silicon  
 Other parts: Suitable corrosion resistant material

## MIL (QPL) Qualification

Many Amphenol Backshells are qualified to SAE-AS 85049 standard. Qualification status of each item shown in this catalogue may change and therefore please check with us or refer "Qualified Product List" to know our exact qualification status at any time. A valid offer for a MIL part Number at any time from Amphenol will only constitute our claim of approval validity.



## ASSEMBLY TORQUE VALUE

Amphenol recommends the following assembly torque values for its adaptors while assembling to the connectors. These values are based on the coupling thread strength specified in SAE-AS85049 standard

Connector shell Size	Torque (Inch-Pounds)
8,9	40
3, 10, 10SL, 11	40
7, 12, 12S, 13	40
14, 14S, 15	40
16, 16S, 17	40
18, 19, 27	40
20, 21, 37	80
22, 23	80
24, 25, 61	80
28	100
32	100
36	100
40	120
44	120
48	120

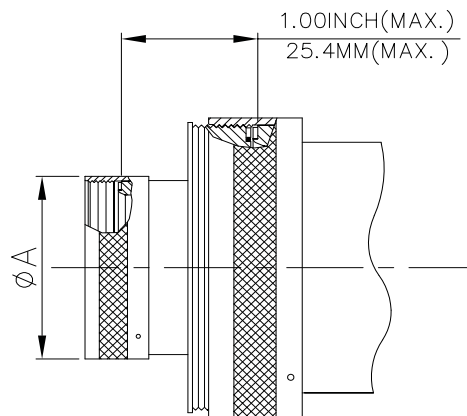
## GUIDING SPECIFICATION

As per SAE, AS85049 standard (Old standard is MIL-C-85049).

## STYLE-2 CONFIGURATION

### Style-2 Configuration

Some design consideration will require bigger diameter cable to be terminated in the smaller shell size connectors. Cable with heavy/thicker shielding, many wires for different branches/routing are some of the examples. Such cable termination will require a bigger adaptor body with cable entry dimensions more than the connector rear side dimensions. Amphenol support this kind of applications too. The coupling end of the adaptor will be modified to Style-2 design as shown in the figure in such cases. The overall length of the style-2 design adaptors would be increased by approx 1inch (25.4mm) as shown. This alternate design is applicable for all the 'Backshell Families' listed in this catalogue



# NON - ENVIRONMENTAL BACKSHELL



Amphenol Non Environmental Backshell is an effective cable holding mechanism with good strain relief when the environmental protection of the cable termination area is not a concern. Amphenol offers cost effective solutions by eliminating extra sealing parts.

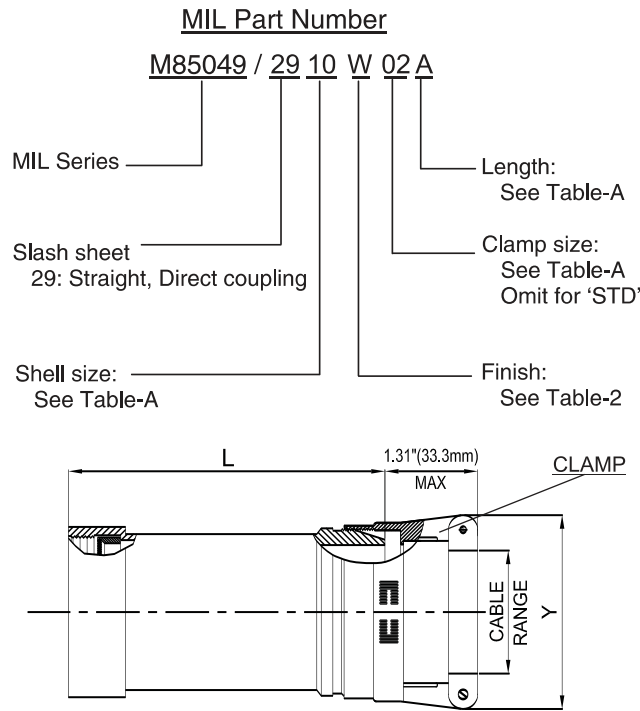
This type of Backshell is suitable for an inside the box/climate controlled room application where heavy cabling should be supported with adequate strain relief.

For Connector Group		Page No.
<b>K</b>	→	<b>I-1 - I-3</b>
<b>L</b>	→	<b>I-4 - I-6</b>

**Note:** For Connector group Identification refer Table 1 - A, B, C, D (Page 7-11) and for Material / Plating Finish, Refer Table-2 (Page 12)

Connector Group - K

Straight



**NOTE:** \* For more cable entry and length options, contact factory

TABLE - A													
MIL PART NUMBER DESIGNATOR			CONNECTOR SHELL SIZE SE - II / I	CABLE RANGE				L (MAX)		Y (MAX)			
ACCESSORY SHELL SIZE	CLAMP SIZE	LENGTH		MIN		MAX		INCH	MM	INCH	MM		
				INCH	MM	INCH	MM						
08	01	STD.	8 / 9	0.06	1.57	0.13	3.18	1.03	26.16	0.78	19.81		
		A						2.03	51.56				
08	02	STD.		10 / 11	0.13	3.18	0.25	6.35	1.03	26.16	0.97	24.64	
		A							2.03	51.56			
10	01	STD.			12 / 13	0.06	1.57	0.13	3.18	1.03	26.16	0.78	19.81
		A								2.03	51.56		
		B	3.03							76.96			
10	02	STD.	14 / 15			0.13	3.18	0.25	6.35	1.03	26.16	0.97	24.64
		A		2.03						51.56			
		B		3.03						76.96			
12	03	STD.		14 / 15	0.25	6.35	0.38	9.53	1.03	26.16	1.06	26.92	
		A							2.03	51.56			
		B							3.03	76.96			
12	04	STD.	14 / 15		0.31	7.92	0.50	12.70	1.03	26.16	1.16	29.46	
		A							2.03	51.56			
		B							3.03	76.96			
14	02	STD.		14 / 15	0.44	11.10	0.63	15.88	1.03	26.16	1.25	31.75	
		A							2.03	51.56			
		B							3.03	76.96			
	14	03	STD.		14 / 15	0.25	6.35	0.38	9.53	1.03	26.16	1.06	26.92
			A							2.03	51.56		
			B							3.03	76.96		
14	04	STD.	14 / 15	0.31		7.92	0.50	12.70	1.03	26.16	1.16	29.46	
		A							2.03	51.56			
		B							3.03	76.96			
14	05	STD.		14 / 15	0.44	11.10	0.63	15.88	1.03	26.16	1.25	31.75	
		A							2.03	51.56			
		B							3.03	76.96			

Table Continued

# Amphenol Non - Environmental Backshell

Connector Group - K

Straight

TABLE - A											
MIL PART NUMBER DESIGNATOR			CONNECTOR SHELL SIZE SE - II / I	CABLE RANGE				L (MAX)		Y (MAX)	
ACCESSORY SHELL SIZE	CLAMP SIZE	LENGTH		MIN		MAX		INCH	MM	INCH	MM
				INCH	MM	INCH	MM				
16	02	STD.	16 / 17	0.13	3.18	0.25	6.35	1.03	26.16	0.97	24.64
		A						2.03	51.56		
		B						3.03	76.96		
	03	STD.		0.25	6.35	0.38	9.53	1.03	26.16	1.06	26.92
		A						2.03	51.56		
		B						3.03	76.96		
	04	STD.		0.31	7.92	0.50	12.70	1.03	26.16	1.16	29.46
		A						2.03	51.56		
		B						3.03	76.96		
	05	STD.		0.44	11.10	0.63	15.88	1.03	26.16	1.25	31.75
		A						2.03	51.56		
		B						3.03	76.96		
06	STD.	0.56	14.27	0.75	19.05	1.03	26.16	1.38	35.05		
	A					2.03	51.56				
	B					3.03	76.96				
18	03	STD.	18 / 19	0.25	6.35	0.38	9.53	1.03	26.16	1.06	26.92
		A						2.03	51.56		
		B						3.03	76.96		
	04	STD.		0.31	7.92	0.50	12.70	1.03	26.16	1.16	29.46
		A						2.03	51.56		
		B						3.03	76.96		
	05	STD.		0.44	11.10	0.63	15.88	1.03	26.16	1.25	31.75
		A						2.03	51.56		
		B						3.03	76.96		
	06	STD.		0.56	14.27	0.75	19.05	1.03	26.16	1.38	35.05
		A						2.03	51.56		
		B						3.03	76.96		
07	STD.	0.69	17.45	0.88	22.23	1.03	26.16	1.50	38.10		
	A					2.03	51.56				
	B					3.03	76.96				
20	03	STD.	20 / 21	0.25	6.35	0.38	9.53	1.03	26.16	1.06	26.92
		A						2.03	51.56		
		B						3.03	76.96		
		C						4.03	102.36		
	04	STD.		0.31	7.92	0.50	12.70	1.03	26.16	1.16	29.46
		A						2.03	51.56		
		B						3.03	76.96		
		C						4.03	102.36		
	05	STD.		0.44	11.10	0.63	15.88	1.03	26.16	1.25	31.75
		A						2.03	51.56		
		B						3.03	76.96		
		C						4.03	102.36		
	06	STD.		0.56	14.27	0.75	19.05	1.03	26.16	1.38	35.05
		A						2.03	51.56		
		B						3.03	76.96		
		C						4.03	102.36		
	07	STD.		0.69	17.45	0.88	22.23	1.03	26.16	1.50	38.10
		A						2.03	51.56		
B		3.03	76.96								
C		4.03	102.36								
08	STD.	0.81	20.62	1.00	25.40	1.03	26.16	1.63	41.40		
	A					2.03	51.56				
	B					3.03	76.96				
	C					4.03	102.36				

Table Continued

Connector Group - K

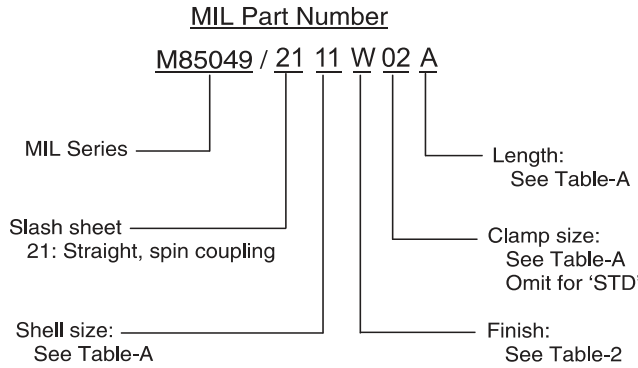
Straight

TABLE - A											
MIL PART NUMBER DESIGNATOR			CONNECTOR SHELL SIZE SE - II / I	CABLE RANGE				L (MAX)		Y (MAX)	
ACCESSORY SHELL SIZE	CLAMP SIZE	LENGTH		MIN		MAX		INCH	MM	INCH	MM
				INCH	MM	INCH	MM				
22	03	STD.	22 / 23	0.25	6.35	0.38	9.53	1.03	26.16	1.06	26.92
		A						2.03	51.56		
		B						3.03	76.96		
		C						4.03	102.36		
	04	STD.		0.31	7.92	0.50	12.70	1.03	26.16	1.16	29.46
		A						2.03	51.56		
		B						3.03	76.96		
		C						4.03	102.36		
	05	STD.		0.44	11.10	0.63	15.88	1.03	26.16	1.25	31.75
		A						2.03	51.56		
		B						3.03	76.96		
		C						4.03	102.36		
	06	STD.		0.56	14.27	0.75	19.05	1.03	26.16	1.38	35.05
		A						2.03	51.56		
		B						3.03	76.96		
		C						4.03	102.36		
	07	STD.		0.69	17.45	0.88	22.23	1.03	26.16	1.50	38.10
		A						2.03	51.56		
		B						3.03	76.96		
		C						4.03	102.36		
	08	STD.		0.81	20.62	1.00	25.40	1.03	26.16	1.63	41.40
		A						2.03	51.56		
		B						3.03	76.96		
		C						4.03	102.36		
09	STD.	0.94	23.80	1.13	28.58	1.03	26.16	1.75	44.45		
	A					2.03	51.56				
	B					3.03	76.96				
	C					4.03	102.36				
24	04	STD.	24 / 25	0.31	7.92	0.50	12.70	1.03	26.16	1.16	29.46
		A						2.03	51.56		
		B						3.03	76.96		
		C						4.03	102.36		
	05	STD.		0.44	11.10	0.63	15.88	1.03	26.16	1.25	31.75
		A						2.03	51.56		
		B						3.03	76.96		
		C						4.03	102.36		
	06	STD.		0.56	14.27	0.75	19.05	1.03	26.16	1.38	35.05
		A						2.03	51.56		
		B						3.03	76.96		
		C						4.03	102.36		
	07	STD.		0.69	17.45	0.88	22.23	1.03	26.16	1.50	38.10
		A						2.03	51.56		
		B						3.03	76.96		
		C						4.03	102.36		
	08	STD.		0.81	20.62	1.00	25.40	1.03	26.16	1.63	41.40
		A						2.03	51.56		
		B						3.03	76.96		
		C						4.03	102.36		
	09	STD.		0.94	23.80	1.13	28.58	1.03	26.16	1.75	44.45
		A						2.03	51.56		
		B						3.03	76.96		
		C						4.03	102.36		
10	STD.	1.06	26.97	1.25	31.75	1.03	26.16	1.88	47.75		
	A					2.03	51.56				
	B					3.03	76.96				
	C					4.03	102.36				

# Amphenol Non - Environmental Backshell

Connector Group - L

Straight



NOTE: \* For more cable entry and length options, contact factory

TABLE - A													
MIL PART NUMBER DESIGNATOR			CONNECTOR SHELL SIZE/CODE (REF.)	CABLE RANGE				A DIA. (MAX)		B (MAX)		Y (MAX)	
CONNECTOR SHELL SIZE	CLAMP SIZE	LENGTH		MIN		MAX		INCH	MM	INCH	MM	INCH	MM
				INCH	MM	INCH	MM						
9	01	STD.	09 / A	0.06	1.57	0.13	3.18	0.75	19.05	1.53	38.86	0.80	20.32
		A								2.53	64.26		
	02	STD.		0.13	3.18	0.25	6.35			1.53	38.86	1.00	25.40
		A		2.53	64.26								
11	01	STD.	11 / B	0.06	1.57	0.13	3.18	0.85	21.59	1.53	38.86	0.80	20.32
		A								2.53	64.26		
	02	STD.		0.13	3.18	0.25	6.35			1.53	38.86	1.00	25.40
		A								2.53	64.26		
	03	STD.		0.25	6.35	0.38	9.53			1.53	38.86	1.10	27.94
		A								2.53	64.26		
13	02	STD.	13 / C	0.13	3.18	0.25	6.35	1.00	25.40	1.53	38.86	1.00	25.40
		A								2.53	64.26		
	03	STD.		0.25	6.35	0.38	9.53			1.53	38.86	1.10	27.94
		A								2.53	64.26		
04	STD.	0.31	7.92	0.50	12.70	1.53	38.86	1.20	30.48				
	A					2.53	64.26						
15	02	STD.	15 / D	0.13	3.18	0.25	6.35	1.10	27.94	1.53	38.86	1.00	25.40
		A								2.53	64.26		
		B								3.53	89.66		
	03	STD.		0.25	6.35	0.38	9.53			1.53	38.86	1.10	27.94
		A								2.53	64.26		
		B								3.53	89.66		
	04	STD.		0.31	7.92	0.50	12.70			1.53	38.86	1.20	30.48
		A								2.53	64.26		
		B								3.53	89.66		
	05	STD.		0.44	11.10	0.63	15.88			1.53	38.86	1.25	31.75
		A								2.53	64.26		
		B								3.53	89.66		

Table Continued

Connector Group - L

Straight

TABLE - A													
MIL PART NUMBER DESIGNATOR			CONNECTOR SHELL SIZE/CODE (REF.)	CABLE RANGE				A DIA. (MAX)		B (MAX)		Y (MAX)	
CONNECTOR SHELL SIZE	CLAMP SIZE	LENGTH		MIN		MAX		INCH	MM	INCH	MM	INCH	MM
				INCH	MM	INCH	MM						
17	02	STD.	17 / E	0.13	3.18	0.25	6.35	1.25	31.75	1.53	38.86	1.00	25.40
		A								2.53	64.26		
		B								3.53	89.66		
	03	STD.		0.25	6.35	0.38	9.53			1.53	38.86	1.10	27.94
		A								2.53	64.26		
		B								3.53	89.66		
	04	STD.		0.31	7.92	0.50	12.70			1.53	38.86	1.20	30.48
		A								2.53	64.26		
		B								3.53	89.66		
	05	STD.		0.44	11.10	0.63	15.88			1.53	38.86	1.25	31.75
		A								2.53	64.26		
		B								3.53	89.66		
06	STD.	0.56	14.27	0.75	19.05	1.53	38.86	1.40	35.56				
	A					2.53	64.26						
	B					3.53	89.66						
19	03	STD.	19 / F	0.25	6.35	0.38	9.53	1.40	35.56	1.53	38.86	1.10	27.94
		A								2.53	64.26		
		B								3.53	89.66		
	04	STD.		0.31	7.92	0.50	12.70			1.53	38.86	1.20	30.48
		A								2.53	64.26		
		B								3.53	89.66		
	05	STD.		0.44	11.10	0.63	15.88			1.53	38.86	1.25	31.75
		A								2.53	64.26		
		B								3.53	89.66		
	06	STD.		0.56	14.27	0.75	19.05			1.53	38.86	1.40	35.56
		A								2.53	64.26		
		B								3.53	89.66		
07	STD.	0.69	17.45	0.88	22.23	1.53	38.86	1.50	38.10				
	A					2.53	64.26						
	B					3.53	89.66						
21	03	STD.	21 / G	0.25	6.35	0.38	9.53	1.50	38.10	1.53	38.86	1.10	27.94
		A								2.53	64.26		
		B								3.53	89.66		
	04	STD.		0.31	7.92	0.50	12.70			1.53	38.86	1.20	30.48
		A								2.53	64.26		
		B								3.53	89.66		
	05	STD.		0.44	11.10	0.63	15.88			1.53	38.86	1.25	31.75
		A								2.53	64.26		
		B								3.53	89.66		
	06	STD.		0.56	14.27	0.75	19.05			1.53	38.86	1.40	35.56
		A								2.53	64.26		
		B								3.53	89.66		
07	STD.	0.69	17.45	0.88	22.23	1.53	38.86	1.50	38.10				
	A					2.53	64.26						
	B					3.53	89.66						
08	STD.	0.81	20.62	1.00	25.40	1.53	38.86	1.65	41.91				
	A					2.53	64.26						
	B					3.53	89.66						

Table Continued



# Amphenol Non - Environmental Backshell

Connector Group - L

Straight

TABLE - A													
MIL PART NUMBER DESIGNATOR			CONNECTOR SHELL SIZE/CODE (REF.)	CABLE RANGE				A DIA. (MAX)		B (MAX)		Y (MAX)	
CONNECTOR SHELL SIZE	CLAMP SIZE	LENGTH		MIN		MAX		INCH	MM	INCH	MM	INCH	MM
				INCH	MM	INCH	MM						
23	03	STD.	23 / H	0.25	6.35	0.38	9.53	1.65	41.91	1.53	38.86	1.10	27.94
		A								2.53	64.26		
		B								3.53	89.66		
		C								4.53	115.06		
	04	STD.		0.31	7.92	0.50	12.70			1.53	38.86	1.20	30.48
		A								2.53	64.26		
		B								3.53	89.66		
		C								4.53	115.06		
	05	STD.		0.44	11.10	0.63	15.88			1.53	38.86	1.25	31.75
		A								2.53	64.26		
		B								3.53	89.66		
		C								4.53	115.06		
	06	STD.		0.56	14.27	0.75	19.05			1.53	38.86	1.40	35.56
		A								2.53	64.26		
		B								3.53	89.66		
		C								4.53	115.06		
	07	STD.		0.69	17.45	0.88	22.23			1.53	38.86	1.50	38.10
		A								2.53	64.26		
		B								3.53	89.66		
		C								4.53	115.06		
	08	STD.		0.81	20.62	1.00	25.40			1.53	38.86	1.65	41.91
		A								2.53	64.26		
		B								3.53	89.66		
		C								4.53	115.06		
09	STD.	0.94	23.80	1.13	28.58	1.53	38.86	1.75	44.45				
	A					2.53	64.26						
	B					3.53	89.66						
	C					4.53	115.06						
25	04	STD.	25 / J	0.31	7.92	0.50	12.70	1.75	44.45	1.53	38.86	1.20	30.48
		A								2.53	64.26		
		B								3.53	89.66		
		C								4.53	115.06		
	05	STD.		0.44	11.10	0.63	15.88			1.53	38.86	1.25	31.75
		A								2.53	64.26		
		B								3.53	89.66		
		C								4.53	115.06		
	06	STD.		0.56	14.27	0.75	19.05			1.53	38.86	1.40	35.56
		A								2.53	64.26		
		B								3.53	89.66		
		C								4.53	115.06		
	07	STD.		0.69	17.45	0.88	22.23			1.53	38.86	1.50	38.10
		A								2.53	64.26		
		B								3.53	89.66		
		C								4.53	115.06		
	08	STD.		0.81	20.62	1.00	25.40			1.53	38.86	1.65	41.91
		A								2.53	64.26		
		B								3.53	89.66		
		C								4.53	115.06		
	09	STD.		0.94	23.80	1.13	28.58			1.53	38.86	1.75	44.45
		A								2.53	64.26		
		B								3.53	89.66		
		C								4.53	115.06		
10	STD.	1.06	26.97	1.25	31.75	1.53	38.86	1.90	48.26				
	A					2.53	64.26						
	B					3.53	89.66						
	C					4.53	115.06						

# ENVIRONMENTAL BACKSHELL



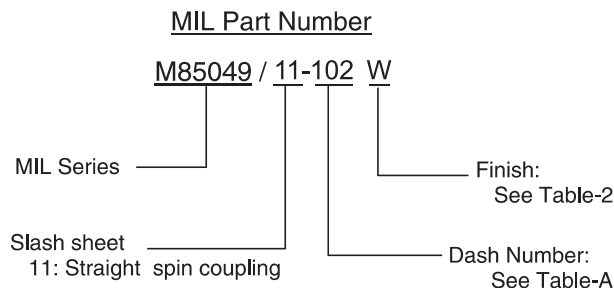
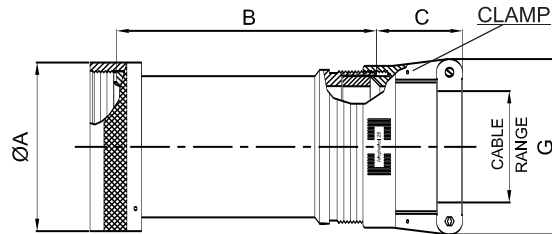
These Backshells from Amphenol not only provide the cable support and strain relief, but ensure the cable sealing and environment protection by means of high quality sealing grommet and grommet follower. The strain relief nut is tightened squeezing the grommet on to the cable jacket during assembly. These Backshells from Amphenol give 6 feet water sealing protection when used with perfectly jacketed cable and are suitable for harsh environment applications.

For Connector Group	Page No.
J	II-1 - II-11

**Note:** For Connector group Identification refer Table 1 - A, B, C, D (Page 7-11) and for Material / Plating Finish, Refer Table-2 (Page 12)

Connector Group - J

Straight



**NOTE:** \* For more cable entry and length options, contact factory

MIL PART NUMBER DESIGNATOR		CONNECTOR SHELL SIZE	A DIA. (MAX)		B (MAX)		C (REF)		G (MAX)	
SHELL SIZE	DASH NO		INCH	MM	INCH	MM	INCH	MM	INCH	MM
08	05		8	0.62	15.67	2.13	54.10	1.03	26.09	0.96
	06	0.62		15.67	3.13	79.50	1.03	26.09	0.96	24.31
	07*	0.62		15.67	2.88	73.15	1.03	26.09	1.15	29.08
	08*	0.62		15.67	3.88	98.55	1.03	26.09	1.15	29.08
10	09	10	0.73	18.64	2.13	54.10	1.03	26.09	0.96	24.31
	10		0.73	18.64	3.13	79.50	1.03	26.09	0.96	24.31
	11*		0.73	18.64	2.88	73.15	1.03	26.09	1.15	29.08
	12*		0.73	18.64	3.88	98.55	1.03	26.09	1.15	29.08
	136		0.73	18.64	2.13	54.10	1.03	26.09	1.15	29.08
	137		0.73	18.64	3.13	79.50	1.03	26.09	1.15	29.08
12	13	7/12	0.86	21.79	2.13	54.10	1.03	26.09	1.15	29.08
	14		0.86	21.79	3.13	79.50	1.03	26.09	1.15	29.08
	15*		0.86	21.79	2.88	73.15	1.03	26.09	1.33	33.83
	16*		0.86	21.79	3.88	98.55	1.03	26.09	1.33	33.83
	111		0.86	21.79	2.13	54.10	1.03	26.09	1.33	33.83
	114		0.86	21.79	2.13	54.10	1.03	26.09	0.96	24.31
	115		0.86	21.79	3.13	79.50	1.03	26.09	0.96	24.31
	138		0.86	21.79	2.13	54.10	1.03	26.09	1.33	33.83
139	0.86	21.79	3.13	79.50	1.03	26.09	1.33	33.83		

Table Continued

TABLE - A										
MIL PART NUMBER DESIGNATOR		CONNECTOR SHELL SIZE	A DIA. (MAX)		B (MAX)		C (REF)		G (MAX)	
SHELL SIZE	DASH NO		INCH	MM	INCH	MM	INCH	MM	INCH	MM
14	17	12/14	0.98	24.99	2.13	54.10	1.03	26.09	1.33	33.83
	18		0.98	24.99	3.13	79.50	1.03	26.09	1.33	33.83
	19*		0.98	24.99	2.88	73.15	1.06	26.90	1.55	39.40
	20*		0.98	24.99	3.88	98.55	1.06	26.90	1.55	39.40
	116		0.98	24.99	2.13	54.10	1.03	26.09	1.15	29.08
	117		0.98	24.99	3.13	79.50	1.03	26.09	1.15	29.08
	150		0.98	24.99	2.13	54.10	1.03	26.09	0.96	24.31
151	0.98	24.99	3.13	79.50	1.03	26.09	0.96	24.31		
16	21	19/16	1.11	28.24	2.13	54.10	1.06	26.90	1.55	39.40
	22		1.11	28.24	3.13	79.50	1.06	26.90	1.55	39.40
	23*		1.11	28.24	2.88	73.15	1.16	29.36	1.77	44.96
	24*		1.11	28.24	3.88	98.55	1.16	29.36	1.77	44.96
	112		1.11	28.24	2.13	54.10	1.03	26.09	1.15	29.08
	113		1.11	28.24	3.13	79.50	1.03	26.09	1.15	29.08
	118		1.11	28.24	2.13	54.10	1.03	26.09	1.33	33.83
	119		1.11	28.24	3.13	79.50	1.03	26.09	1.33	33.83
	152		1.11	28.24	2.13	54.10	1.03	26.09	0.96	24.31
153	1.11	28.24	3.13	79.50	1.03	26.09	0.96	24.31		
18	25	27/18	1.22	30.94	2.13	54.10	1.03	26.09	1.33	33.83
	26		1.22	30.94	3.13	79.50	1.03	26.09	1.33	33.83
	27		1.22	30.94	2.13	54.10	1.06	26.90	1.55	39.40
	28		1.22	30.94	3.13	79.50	1.06	26.90	1.55	39.40
	29*		1.22	30.94	2.88	73.15	1.16	29.36	1.77	44.96
	30*		1.22	30.94	3.88	98.55	1.16	29.36	1.77	44.96
	120		1.22	30.94	2.13	54.10	1.03	26.09	0.96	24.31
	121		1.22	30.94	3.13	79.50	1.03	26.09	0.96	24.31
	122		1.22	30.94	2.13	54.10	1.03	26.09	1.15	29.08
123	1.22	30.94	3.13	79.50	1.03	26.09	1.15	29.08		
20	31	37/20	1.35	34.16	3.13	79.50	1.03	26.09	1.33	33.83
	32		1.35	34.16	4.13	104.90	1.03	26.09	1.33	33.83
	33		1.35	34.16	3.13	79.50	1.06	26.90	1.55	39.40
	34		1.35	34.16	4.13	104.90	1.06	26.90	1.55	39.40
	35*		1.35	34.16	3.88	98.55	1.16	29.36	1.77	44.96
	36*		1.35	34.16	4.88	123.95	1.16	29.36	1.77	44.96
	37*		1.35	34.16	3.88	98.55	1.38	34.93	2.11	53.67
	38*		1.35	34.16	4.88	123.95	1.38	34.93	2.11	53.67
	124		1.35	34.16	3.13	79.50	1.03	26.09	1.15	29.08
	125		1.35	34.16	4.13	104.90	1.03	26.09	1.15	29.08
	140		1.35	34.16	3.13	79.50	1.16	29.36	1.77	44.96
141	1.35	34.16	4.13	104.90	1.16	29.36	1.77	44.96		
22	39	22	1.47	37.29	3.13	79.50	1.03	26.09	1.33	33.83
	40		1.47	37.29	4.13	104.90	1.03	26.09	1.33	33.83
	41		1.47	37.29	3.13	79.50	1.06	26.90	1.55	39.40
	42		1.47	37.29	4.13	104.90	1.06	26.90	1.55	39.40
	43		1.47	37.29	3.13	79.50	1.16	29.36	1.77	44.96
	44		1.47	37.29	4.13	104.90	1.16	29.36	1.77	44.96
	45*		1.47	37.29	3.88	98.55	1.38	34.93	2.11	53.67
	46*		1.47	37.29	4.88	123.95	1.38	34.93	2.11	53.67
	126		1.47	37.29	3.13	79.50	1.03	26.09	0.96	24.31
	127		1.47	37.29	4.13	104.90	1.03	26.09	0.96	24.31
	128		1.47	37.29	3.13	79.50	1.03	26.09	1.15	29.08
	129		1.47	37.29	4.13	104.90	1.03	26.09	1.15	29.08
	142		1.47	37.29	3.13	79.50	1.38	34.93	2.11	53.67
143	1.47	37.29	4.13	104.90	1.38	34.93	2.11	53.67		

Table Continued

Connector Group - J

Straight

TABLE - A										
MIL PART NUMBER DESIGNATOR		CONNECTOR SHELL SIZE	A DIA. (MAX)		B (MAX)		C (REF)		G (MAX)	
SHELL SIZE	DASH NO		INCH	MM	INCH	MM	INCH	MM	INCH	MM
24	47	24	1.59	40.46	3.13	79.50	1.06	26.90	1.55	39.40
	48		1.59	40.46	4.13	104.90	1.06	26.90	1.55	39.40
	49		1.59	40.46	3.13	79.50	1.16	29.36	1.77	44.96
	50		1.59	40.46	4.13	104.90	1.16	29.36	1.77	44.96
	51		1.59	40.46	3.13	79.50	1.16	29.36	1.77	44.96
	52		1.59	40.46	4.13	104.90	1.16	29.36	1.77	44.96
	53*		1.59	40.46	3.88	98.55	1.38	34.93	2.11	53.67
	54*		1.59	40.46	4.88	123.95	1.38	34.93	2.11	53.67
	130		1.59	40.46	3.13	79.50	1.03	26.09	1.33	33.83
	131		1.59	40.46	4.13	104.90	1.03	26.09	1.33	33.83
	144		1.59	40.46	3.13	79.50	1.38	34.93	2.11	53.67
	145		1.59	40.46	4.13	104.90	1.38	34.93	2.11	53.67
28	55	28	1.97	50.01	3.13	79.50	1.06	26.90	1.55	39.40
	56		1.97	50.01	4.13	104.90	1.06	26.90	1.55	39.40
	57		1.97	50.01	3.13	79.50	1.16	29.36	1.77	44.96
	58		1.97	50.01	4.13	104.90	1.16	29.36	1.77	44.96
	59		1.97	50.01	3.13	79.50	1.38	34.93	2.11	53.67
	60		1.97	50.01	4.13	104.90	1.38	34.93	2.11	53.67
	61		1.97	50.01	3.13	79.50	1.50	38.10	2.36	60.02
	62		1.97	50.01	4.13	104.90	1.50	38.10	2.36	60.02
32	63	32	2.22	56.36	3.13	79.50	1.16	29.36	1.77	44.96
	64		2.22	56.36	4.13	104.90	1.16	29.36	1.77	44.96
	65		2.22	56.36	3.13	79.50	1.38	34.93	2.11	53.67
	66		2.22	56.36	4.13	104.90	1.38	34.93	2.11	53.67
	67		2.22	56.36	3.13	79.50	1.50	38.10	2.36	60.02
	68		2.22	56.36	4.13	104.90	1.50	38.10	2.36	60.02
	69		2.22	56.36	3.13	79.50	1.78	45.24	2.77	70.36
	70		2.22	56.36	4.13	104.90	1.78	45.24	2.77	70.36
36	71	36	2.47	62.71	4.13	104.90	1.38	34.93	2.11	53.67
	72		2.47	62.71	5.13	130.30	1.38	34.93	2.11	53.67
	73		2.47	62.71	4.13	104.90	1.50	38.10	2.36	60.02
	74		2.47	62.71	5.13	130.30	1.50	38.10	2.36	60.02
	75		2.47	62.71	4.13	104.90	1.78	45.24	2.77	70.36
	76		2.47	62.71	5.13	130.30	1.78	45.24	2.77	70.36
	77*		2.47	62.71	5.01	127.25	1.83	46.48	3.02	76.71
	78*		2.47	62.71	6.01	152.65	1.83	46.48	3.02	76.71
	132		2.47	62.71	4.13	104.90	1.06	26.90	1.55	39.40
	133		2.47	62.71	5.13	130.30	1.06	26.90	1.55	39.40
	146		2.47	62.71	4.13	104.90	1.83	46.48	3.02	76.71
	147		2.47	62.71	5.13	130.30	1.83	46.48	3.02	76.71
	148		2.47	62.71	4.13	104.90	1.16	29.36	1.77	44.96
	149		2.47	62.71	5.13	130.30	1.16	29.36	1.77	44.96

Table Continued

### Connector Group - J

Straight

TABLE - A										
MIL PART NUMBER DESIGNATOR		CONNECTOR SHELL SIZE	A DIA. (MAX)		B (MAX)		C (REF)		G (MAX)	
SHELL SIZE	DASH NO		INCH	MM	INCH	MM	INCH	MM	INCH	MM
40	79	40	2.72	69.06	4.13	104.90	1.38	34.93	2.11	53.67
	80		2.72	69.06	5.13	130.30	1.38	34.93	2.11	53.67
	81		2.72	69.06	4.13	104.90	1.50	38.10	2.36	60.02
	82		2.72	69.06	5.13	130.30	1.50	38.10	2.36	60.02
	83		2.72	69.06	4.13	104.90	1.78	45.24	2.77	70.36
	84		2.72	69.06	5.13	130.30	1.78	45.24	2.77	70.36
	85		2.72	69.06	4.13	104.90	1.83	46.48	3.02	76.71
	86		2.72	69.06	5.13	130.30	1.83	46.48	3.02	76.71
	134		2.72	69.06	4.13	104.90	1.06	26.90	1.55	39.40
	135		2.72	69.06	5.13	130.30	1.06	26.90	1.55	39.40
	156		2.72	69.06	4.13	104.90	1.16	29.36	1.77	44.96
157	2.72	69.06	5.13	130.30	1.16	29.36	1.77	44.96		
44	87	44	2.97	75.41	4.13	104.90	1.38	34.93	2.11	53.67
	88		2.97	75.41	5.13	130.30	1.38	34.93	2.11	53.67
	89		2.97	75.41	4.13	104.90	1.50	38.10	2.36	60.02
	90		2.97	75.41	5.13	130.30	1.50	38.10	2.36	60.02
	91		2.97	75.41	4.13	104.90	1.78	45.24	2.77	70.36
	92		2.97	75.41	5.13	130.30	1.78	45.24	2.77	70.36
	93		2.97	75.41	4.13	104.90	1.83	46.48	3.02	76.71
	94		2.97	75.41	5.13	130.30	1.83	46.48	3.02	76.71
	154		2.97	75.41	4.13	104.90	1.16	29.36	1.77	44.96
	155		2.97	75.41	5.13	130.30	1.16	29.36	1.77	44.96
48	95	48	3.22	81.76	4.13	104.90	1.38	34.93	2.11	53.67
	96		3.22	81.76	5.13	130.30	1.38	34.93	2.11	53.67
	97		3.22	81.76	4.13	104.90	1.50	38.10	2.36	60.02
	98		3.22	81.76	5.13	130.30	1.50	38.10	2.36	60.02
	99		3.22	81.76	4.13	104.90	1.78	45.24	2.77	70.36
	100		3.22	81.76	5.13	130.30	1.78	45.24	2.77	70.36
	101		3.22	81.76	4.13	104.90	1.83	46.48	3.02	76.71
	102		3.22	81.76	5.13	130.30	1.83	46.48	3.02	76.71

(\* ) ----- DENOTES STYLE 2

Table Continued

Connector Group - J

Straight

TABLE - A						
MIL PART NUMBER DESIGNATOR		CONNECTOR SHELL SIZE	CABLE RANGE			
SHELL SIZE	DASH NO		MIN		MAX	
			INCH	MM	INCH	MM
08	05	8	0.13	3.18	0.25	6.35
	06		0.13	3.18	0.25	6.35
	07*		0.25	6.35	0.44	11.10
	08*		0.25	6.35	0.44	11.10
10	09	10	0.13	3.18	0.31	7.92
	10		0.13	3.18	0.31	7.92
	11*		0.25	6.35	0.44	11.10
	12*		0.25	6.35	0.44	11.10
	136		0.25	6.35	0.38	9.53
	137		0.25	6.35	0.38	9.53
12	13	7/12	0.25	6.35	0.44	11.10
	14		0.25	6.35	0.44	11.10
	15*		0.35	8.89	0.63	15.88
	16*		0.35	8.89	0.63	15.88
	111		0.35	8.89	0.50	12.70
	114		0.13	3.18	0.31	7.92
	115		0.13	3.18	0.31	7.92
	138		0.35	8.89	0.50	12.70
14	139	12/14	0.35	8.89	0.50	12.70
	17		0.35	8.89	0.58	14.61
	18		0.35	8.89	0.58	14.61
	19*		0.50	12.70	0.75	19.05
	20*		0.50	12.70	0.75	19.05
	116		0.25	6.35	0.44	11.10
	117		0.25	6.35	0.44	11.10
16	150	19/16	0.13	3.18	0.31	7.92
	151		0.13	3.18	0.31	7.92
	21		0.50	12.70	0.70	17.78
	22		0.50	12.70	0.70	17.78
	23*		0.63	15.88	0.94	23.80
	24*		0.63	15.88	0.94	23.80
	112		0.25	6.35	0.44	11.10
	113		0.25	6.35	0.44	11.10
	118		0.35	8.89	0.63	15.88
18	119	27/18	0.35	8.89	0.63	15.88
	152		0.13	3.18	0.31	7.92
	153		0.13	3.18	0.31	7.92
	25		0.35	8.89	0.63	15.88
	26		0.35	8.89	0.63	15.88
	27		0.50	12.70	0.75	19.05
	28		0.50	12.70	0.75	19.05
	29*		0.63	15.88	0.94	23.80
	30*		0.63	15.88	0.94	23.80
20	120	37/20	0.13	3.18	0.31	7.92
	121		0.13	3.18	0.31	7.92
	122		0.25	6.35	0.44	11.10
	123		0.25	6.35	0.44	11.10
	31		0.35	8.89	0.63	15.88
	32		0.35	8.89	0.63	15.88
	33		0.50	12.70	0.75	19.05
	34		0.50	12.70	0.75	19.05
38*	35*	38*	0.63	15.88	0.94	23.80
	36*		0.63	15.88	0.94	23.80
	37*		0.88	22.23	1.25	31.75
	38*		0.88	22.23	1.25	31.75

Table Continued

TABLE - A						
MIL PART NUMBER DESIGNATOR		CONNECTOR SHELL SIZE	CABLE RANGE			
SHELL SIZE	DASH NO		MIN		MAX	
			INCH	MM	INCH	MM
20	124	37/20	0.25	6.35	0.44	11.10
	125		0.25	6.35	0.44	11.10
	140		0.63	15.88	0.90	22.96
	141		0.63	15.88	0.90	22.96
22	39	22	0.35	8.89	0.63	15.88
	40		0.35	8.89	0.63	15.88
	41		0.50	12.70	0.75	19.05
	42		0.50	12.70	0.75	19.05
	43		0.63	15.88	0.94	23.80
	44		0.63	15.88	0.94	23.80
	45*		0.88	22.23	1.25	31.75
	46*		0.88	22.23	1.25	31.75
	126		0.13	3.18	0.31	7.92
	127		0.13	3.18	0.31	7.92
	128		0.25	6.35	0.44	11.10
	129		0.25	6.35	0.44	11.10
	142		0.88	22.23	1.03	26.14
143	0.88	22.23	1.03	26.14		
24	47	24	0.50	12.70	0.75	19.05
	48		0.50	12.70	0.75	19.05
	49		0.63	15.88	0.81	20.62
	50		0.63	15.88	0.81	20.62
	51		0.63	15.88	0.94	23.80
	52		0.63	15.88	0.94	23.80
	53*		0.88	22.23	1.25	31.75
	54*		0.88	22.23	1.25	31.75
	130		0.35	8.89	0.63	15.88
	131		0.35	8.89	0.63	15.88
	144		0.88	22.23	1.14	29.06
145	0.88	22.23	1.14	29.06		
28	55	28	0.50	12.70	0.75	19.05
	56		0.50	12.70	0.75	19.05
	57		0.63	15.88	0.94	23.80
	58		0.63	15.88	0.94	23.80
	59		0.88	22.23	1.25	31.75
	60		0.88	22.23	1.25	31.75
	61		1.00	25.40	1.38	34.93
62	1.00	25.40	1.38	34.93		
32	63	32	0.63	15.88	0.94	23.80
	64		0.63	15.88	0.94	23.80
	65		0.88	22.23	1.25	31.75
	66		0.88	22.23	1.25	31.75
	67		1.00	25.40	1.38	34.93
	68		1.00	25.40	1.38	34.93
	69		1.25	31.75	1.63	41.28
70	1.25	31.75	1.63	41.28		
36	71	36	0.88	22.23	1.25	31.75
	72		0.88	22.23	1.25	31.75
	73		1.00	25.40	1.38	34.93
	74		1.00	25.40	1.38	34.93
	75		1.25	31.75	1.63	41.28
	76		1.25	31.75	1.63	41.28
	77*		1.44	36.50	1.88	47.63
78*	1.44	36.50	1.88	47.63		

Table Continued



Connector Group - J

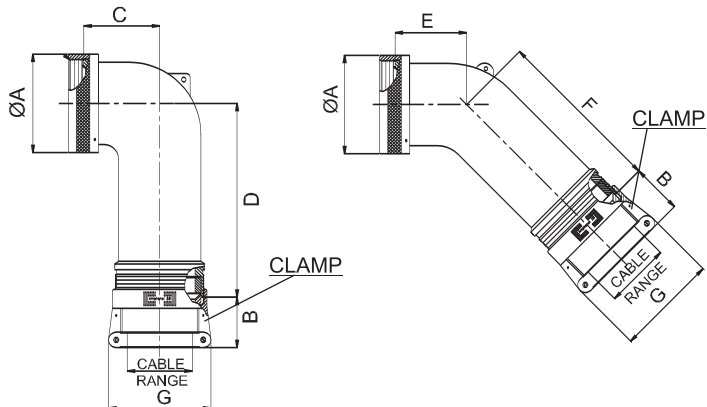
Straight

TABLE - A						
MIL PART NUMBER DESIGNATOR		CONNECTOR SHELL SIZE	CABLE RANGE			
SHELL SIZE	DASH NO		MIN		MAX	
			INCH	MM	INCH	MM
36	132	36	0.50	12.70	0.75	19.05
	133		0.50	12.70	0.75	19.05
	146		1.44	36.50	1.84	46.74
	147		1.44	36.50	1.84	46.74
	148		0.63	15.88	0.94	23.80
	149		0.63	15.88	0.94	23.80
40	79	40	0.88	22.23	1.25	31.75
	80		0.88	22.23	1.25	31.75
	81		1.00	25.40	1.38	34.93
	82		1.00	25.40	1.38	34.93
	83		1.25	31.75	1.63	41.28
	84		1.25	31.75	1.63	41.28
	85		1.44	36.50	1.88	47.63
	86		1.44	36.50	1.88	47.63
	134		0.50	12.70	0.75	19.05
	135		0.50	12.70	0.75	19.05
	156		0.63	15.88	0.94	23.80
	157		0.63	15.88	0.94	23.80
44	87	44	0.88	22.23	1.25	31.75
	88		0.88	22.23	1.25	31.75
	89		1.00	25.40	1.38	34.93
	90		1.00	25.40	1.38	34.93
	91		1.25	31.75	1.63	41.28
	92		1.25	31.75	1.63	41.28
	93		1.44	36.50	1.88	47.63
	94		1.44	36.50	1.88	47.63
	154		0.63	15.88	0.94	23.80
	155		0.63	15.88	0.94	23.80
48	95	48	0.88	22.23	1.25	31.75
	96		0.88	22.23	1.25	31.75
	97		1.00	25.40	1.38	34.93
	98		1.00	25.40	1.38	34.93
	99		1.25	31.75	1.63	41.28
	100		1.25	31.75	1.63	41.28
	101		1.44	36.50	1.88	47.63
	102		1.44	36.50	1.88	47.63

(\* ) ----- DENOTES STYLE 2

### Connector Group - J

90°, 45°



#### MIL Part Number

M85049 / 9-10 W

MIL Series ————  
 Slash sheet ————  
 9: 90deg bent, spin coupling  
 7: 45deg bent, spin coupling

Finish:  
 See Table-2

Dash Number:  
 See Table-A

NOTE: \* For more cable entry options, contact factory

TABLE - B														
MIL PART NUMBER DESIGNATOR		CONNECTOR SHELL SIZE	A DIA. (MAX)		B (REF)		C (MAX)		D (MAX)		E (MAX)		F (MAX)	
SHELL SIZE	DASH NO		INCH	MM	INCH	MM	INCH	MM	INCH	MM	INCH	MM	INCH	MM
08	3	8	0.62	15.67	1.03	26.09	0.67	17.02	1.26	32.00	0.63	16.00	1.25	31.75
	4		0.73	18.64	1.03	26.09	0.76	19.30	1.98	50.29	0.69	17.53	1.92	48.77
10	49*	10	0.73	18.64	1.03	26.09	1.52	38.61	2.00	50.80	1.50	38.10	1.98	50.29
	5		0.73	18.64	1.03	26.09	0.76	19.30	1.38	35.05	0.69	17.53	1.31	33.27
12	6	7/12	0.86	21.79	1.03	26.09	0.77	19.56	2.00	50.80	0.75	19.05	1.98	50.29
	71*		0.86	21.79	1.03	26.09	1.81	45.97	2.16	54.86	1.65	41.91	2.18	55.37
	7		0.86	21.79	1.03	26.09	0.77	19.56	2.00	50.80	0.75	19.05	1.98	50.29
	8		0.86	21.79	1.03	26.09	0.77	19.56	1.40	35.56	0.75	19.05	1.98	50.29
14	9	12/14	0.98	24.99	1.03	26.09	0.87	22.10	2.07	52.58	0.81	20.57	2.07	52.58
	10		0.98	24.99	1.03	26.09	0.87	22.10	1.72	43.69	0.81	20.57	1.72	43.69
	50*		0.98	24.99	1.06	26.90	1.89	48.01	2.33	59.18	1.84	46.74	2.37	60.20
	74		0.98	24.99	1.03	26.09	0.87	22.10	2.07	52.58	0.81	20.57	2.07	52.58
16	11	19/16	1.11	28.24	1.03	26.09	1.05	26.67	2.16	54.86	0.91	23.11	2.18	55.37
	12		1.11	28.24	1.06	26.90	1.05	26.67	1.81	45.97	0.91	23.11	1.82	46.23
	40		1.11	28.24	1.03	26.09	1.05	26.67	2.16	54.86	0.91	23.11	2.18	55.37
	51*		1.11	28.24	1.16	29.36	2.04	51.82	2.44	61.98	1.94	49.28	2.52	64.01
	75		1.11	28.24	1.03	26.09	1.05	26.67	2.16	54.86	0.91	23.11	2.18	55.37

Table Continued

Connector Group - J

90°, 45°

TABLE - B														
MIL PART NUMBER DESIGNATOR		CONNECTOR SHELL SIZE	A DIA. (MAX)		B (REF)		C (MAX)		D (MAX)		E (MAX)		F (MAX)	
SHELL SIZE	DASH NO		INCH	MM	INCH	MM	INCH	MM	INCH	MM	INCH	MM	INCH	MM
18	13	27/18	1.22	30.94	1.03	26.09	1.14	28.96	2.33	59.18	1.09	27.69	2.37	60.20
	14		1.22	30.94	1.16	29.36	1.14	28.96	1.98	50.29	1.09	27.69	2.00	50.80
	41		1.22	30.94	1.03	26.09	1.14	28.96	2.33	59.18	1.09	27.69	2.37	60.20
	42		1.22	30.94	1.03	26.09	1.14	28.96	2.33	59.18	1.09	27.69	2.37	60.20
	52		1.22	30.94	1.06	26.90	1.14	28.96	2.33	59.18	1.09	27.69	2.37	60.20
	72*		1.22	30.94	1.16	29.36	2.05	52.07	2.44	61.98	1.94	49.28	2.52	64.01
20	15	37/20	1.35	34.16	1.03	26.09	1.14	28.96	2.33	59.18	1.09	27.69	2.37	60.20
	16		1.35	34.16	1.16	29.36	1.14	28.96	1.98	50.29	1.09	27.69	2.00	50.80
	43		1.35	34.16	1.03	26.09	1.14	28.96	2.33	59.18	1.09	27.69	2.37	60.20
	54		1.35	34.16	1.06	26.90	1.14	28.96	2.33	59.18	1.09	27.69	2.37	60.20
	55		1.35	34.16	1.38	34.93	2.14	54.36	2.61	66.29	2.06	52.32	2.57	65.28
22	17	22	1.47	37.29	1.06	26.90	1.29	32.77	2.44	61.98	1.19	30.23	2.52	64.01
	18		1.47	37.29	1.38	34.93	1.29	32.77	2.09	53.09	1.19	30.23	2.16	54.86
	44		1.47	37.29	1.03	26.09	1.29	32.77	2.44	61.98	1.19	30.23	2.52	64.01
	45		1.47	37.29	1.03	26.09	1.29	32.77	2.44	61.98	1.19	30.23	2.52	64.01
	56		1.47	37.29	1.03	26.09	1.29	32.77	2.44	61.98	1.19	30.23	2.52	64.01
	57		1.47	37.29	1.16	29.36	1.29	32.77	2.44	61.98	1.19	30.23	2.52	64.01
	58*		1.47	37.29	1.38	34.93	2.14	54.36	2.61	66.29	2.06	52.32	2.57	65.28
24	19	24	1.59	40.46	1.06	26.90	1.29	32.77	2.44	61.98	1.19	30.23	2.52	64.01
	20		1.59	40.46	1.38	34.93	1.29	32.77	2.09	53.09	1.19	30.23	2.16	54.86
	46		1.59	40.46	1.03	26.09	1.29	32.77	2.44	61.98	1.19	30.23	2.52	64.01
	59		1.59	40.46	1.16	29.36	1.29	32.77	2.44	61.98	1.19	30.23	2.52	64.01
	73*		1.59	40.46	1.38	34.93	2.15	54.61	2.61	66.29	2.06	52.32	2.57	65.28
28	21	28	1.97	50.01	1.16	29.36	1.39	35.31	2.61	66.29	1.31	33.27	2.57	65.28
	22		1.97	50.01	1.50	38.10	1.39	35.31	2.26	57.40	1.31	33.27	2.22	56.39
	60		1.97	50.01	1.06	26.90	1.39	35.31	2.61	66.29	1.31	33.27	2.57	65.28
	61		1.97	50.01	1.38	34.93	1.39	35.31	2.61	66.29	1.31	33.27	2.57	65.28
32	23	32	2.22	56.36	1.16	29.36	1.74	44.20	2.86	72.64	1.38	35.05	2.67	67.82
	24		2.22	56.36	1.38	34.93	1.74	44.20	2.86	72.64	1.38	35.05	2.67	67.82
	25		2.22	56.36	1.78	45.24	1.74	44.20	2.51	63.75	1.38	35.05	2.32	58.93
	62		2.22	56.36	1.50	38.10	1.74	44.20	2.86	72.64	1.38	35.05	2.67	67.82
36	26	36	2.47	62.71	1.16	29.36	1.94	49.28	2.83	71.88	1.41	35.81	2.76	70.10
	27		2.47	62.71	1.50	38.10	1.94	49.28	2.83	71.88	1.41	35.81	2.76	70.10
	28		2.47	62.71	1.83	46.48	1.94	49.28	2.48	62.99	1.41	35.81	2.41	61.21
	47		2.47	62.71	1.06	26.90	1.94	49.28	2.83	71.88	1.41	35.81	2.76	70.10
	63		2.47	62.71	1.38	34.93	1.94	49.28	2.83	71.88	1.41	35.81	2.76	70.10
	64		2.47	62.71	1.78	45.24	1.94	49.28	2.83	71.88	1.41	35.81	2.76	70.10
40	29	40	2.72	69.06	1.16	29.36	2.69	68.33	2.83	71.88	2.16	54.86	2.76	70.10
	30		2.72	69.06	1.50	38.10	2.69	68.33	2.83	71.88	2.16	54.86	2.76	70.10
	31		2.72	69.06	1.83	46.48	2.69	68.33	2.48	62.99	2.16	54.86	2.41	61.21
	48		2.72	69.06	1.06	26.90	1.94	49.28	2.83	71.88	2.16	54.86	2.76	70.10
	65		2.72	69.06	1.38	34.93	2.69	68.33	2.83	71.88	2.16	54.86	2.76	70.10
	66		2.72	69.06	1.78	45.24	2.69	68.33	2.83	71.88	2.16	54.86	2.76	70.10
	67		2.72	69.06	1.16	29.36	2.69	68.33	2.83	71.88	2.16	54.86	2.76	70.10
44	32	44	2.97	75.41	1.50	38.10	2.69	68.33	2.83	71.88	2.16	54.86	2.76	70.10
	33		2.97	75.41	1.83	46.48	2.69	68.33	2.48	62.99	2.16	54.86	2.41	61.21
	34		2.97	75.41	1.38	34.93	2.69	68.33	2.83	71.88	2.16	54.86	2.76	70.10
	67		2.97	75.41	1.38	34.93	2.69	68.33	2.83	71.88	2.16	54.86	2.76	70.10
	68		2.97	75.41	1.78	45.24	2.69	68.33	2.83	71.88	2.16	54.86	2.76	70.10
48	35	48	3.22	81.76	1.16	29.36	2.69	68.33	2.83	71.88	2.16	54.86	2.76	70.10
	36		3.22	81.76	1.50	38.10	2.69	68.33	2.83	71.88	2.16	54.86	2.76	70.10
	37		3.22	81.76	1.83	46.48	2.69	68.33	2.48	62.99	2.16	54.86	2.41	61.21
	69		3.22	81.76	1.38	34.93	2.69	68.33	2.83	71.88	2.16	54.86	2.76	70.10
	70		3.22	81.76	1.78	45.24	2.69	68.33	2.83	71.88	2.16	54.86	2.76	70.10

(\*) ----- DENOTES STYLE 2

Table Continued

TABLE - B								
MIL PART NUMBER DESIGNATOR		CONNECTOR SHELL SIZE	G (MAX)		CABLE RANGE			
SHELL SIZE	DASH NO		INCH	MM	MIN		MAX	
					INCH	MM	INCH	MM
08	3	8	0.96	24.31	0.13	3.18	0.25	6.35
10	4	10	0.96	24.31	0.13	3.18	0.31	7.92
	49*		1.15	29.08	0.25	6.35	0.44	11.10
	5		1.15	29.08	0.25	6.35	0.38	9.53
12	6	7/12	0.96	24.31	0.13	3.18	0.31	7.92
	71*		1.33	33.83	0.35	8.89	0.63	15.88
	7		1.15	29.08	0.25	6.35	0.44	11.10
	8		1.33	33.83	0.35	8.89	0.50	12.70
14	9	12/14	1.15	29.08	0.25	6.35	0.44	11.10
	10		1.33	33.83	0.35	8.89	0.58	14.61
	50*		1.55	39.40	0.50	12.70	0.75	19.05
	74		0.96	24.31	0.13	3.18	0.31	7.92
16	11	19/16	1.15	29.08	0.25	6.35	0.44	11.10
	12		1.55	39.40	0.50	12.70	0.70	17.78
	40		1.33	33.83	0.35	8.89	0.63	15.88
	51*		1.77	44.96	0.63	15.88	0.94	23.80
	75		0.96	24.31	0.13	3.18	0.31	7.92
18	13	27/18	1.33	33.83	0.35	8.89	0.63	15.88
	14		1.77	44.96	0.63	15.88	0.78	19.79
	41		0.96	24.31	0.13	3.18	0.31	7.92
	42		1.15	29.08	0.25	6.35	0.44	11.10
	52		1.55	39.40	0.50	12.70	0.75	19.05
	72*		1.77	44.96	0.63	15.88	0.94	23.80
20	15	37/20	1.33	33.83	0.35	8.89	0.63	15.88
	16		1.77	44.96	0.63	15.88	0.90	22.96
	43		1.15	29.08	0.25	6.35	0.44	11.10
	54		1.55	39.40	0.50	12.70	0.75	19.05
	55		2.11	53.67	0.88	22.23	1.25	31.75
22	17	22	1.55	39.40	0.50	12.70	0.75	19.05
	18		2.11	53.67	0.88	22.23	1.03	26.14
	44		0.96	24.31	0.13	3.18	0.31	7.92
	45		1.15	29.08	0.25	6.35	0.44	11.10
	56		1.33	33.83	0.35	8.89	0.63	15.88
	57		1.77	44.96	0.63	15.88	0.94	23.80
24	58*	24	2.11	53.67	0.88	22.23	1.25	31.75
	19		1.55	39.40	0.50	12.70	0.75	19.05
	20		2.11	53.67	0.88	22.23	1.14	29.06
	46		1.33	33.83	0.35	8.89	0.63	15.88
	59		1.77	44.96	0.63	15.88	0.94	23.80
28	73*	28	2.12	53.75	0.88	22.23	1.25	31.75
	21		1.77	44.96	0.63	15.88	0.94	23.80
	22		2.36	60.02	1.00	25.40	1.38	34.93
	60		1.55	39.40	0.50	12.70	0.75	19.05
	61		2.11	53.67	0.88	22.23	1.25	31.75
32	23	32	1.77	44.96	0.63	15.88	0.94	23.80
	24		2.11	53.67	0.88	22.23	1.25	31.75
	25		2.77	70.36	1.25	31.75	1.63	41.28
	62		2.36	60.02	1.00	25.40	1.38	34.93
36	26	36	1.77	44.96	0.63	15.88	0.94	23.80
	27		2.36	60.02	1.00	25.40	1.38	34.93
	28		3.02	76.71	1.44	36.50	1.84	46.74
	47		1.55	39.40	0.50	12.70	0.75	19.05
	63		2.11	53.67	0.88	22.23	1.25	31.75
	64		2.77	70.36	1.25	31.75	1.63	41.28

Table Continued

Connector Group - J

90°, 45°

TABLE - B								
MIL PART NUMBER DESIGNATOR		CONNECTOR SHELL SIZE	G (MAX)		CABLE RANGE			
SHELL SIZE	DASH NO		INCH	MM	MIN		MAX	
					INCH	MM	INCH	MM
40	29	40	1.77	44.96	0.63	15.88	0.94	23.80
	30		2.36	60.02	1.00	25.40	1.38	34.93
	31		3.02	76.71	1.44	36.50	1.88	47.63
	48		1.55	39.40	0.50	12.70	0.75	19.05
	65		2.11	53.67	0.88	22.23	1.25	31.75
	66		2.77	70.36	1.25	31.75	1.63	41.28
44	32	44	1.77	44.96	0.63	15.88	0.94	23.80
	33		2.36	60.02	1.00	25.40	1.38	34.93
	34		3.02	76.71	1.44	36.50	1.88	47.63
	67		2.11	53.67	0.88	22.23	1.25	31.75
	68		2.77	70.36	1.25	31.75	1.63	41.28
48	35	48	1.77	44.96	0.63	15.88	0.94	23.80
	36		2.36	60.02	1.00	25.40	1.38	34.93
	37		3.02	76.71	1.44	36.50	1.88	47.63
	69		2.11	53.67	0.88	22.23	1.25	31.75
	70		2.77	70.36	1.25	31.75	1.63	41.28

(\*) ----- DENOTES STYLE 2

# NON-ENVIRONMENTAL EMI / RFI BACKSHELL



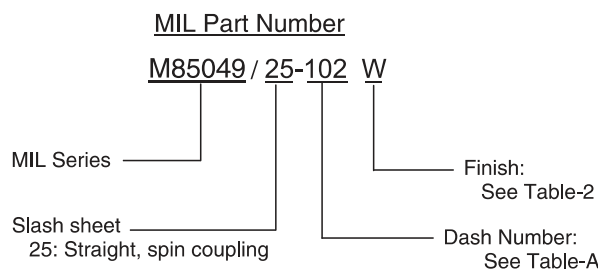
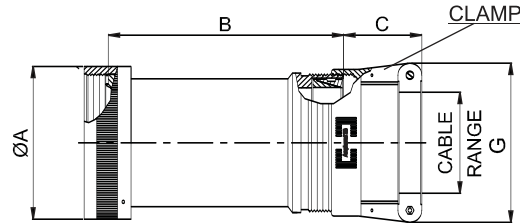
360-degree screen termination facility is offered in this Backshell in addition to other features of the Non-Environmental type. Available in straight, 90 degree bent and 45 degree bent varieties, it accommodates both individual and overall shielding.

For Connector Group		Page No.
J	→	III-1 - III-7
K	→	III-8 - III-10
L	→	III-11 - III-13

**Note:** For Connector group Identification refer Table 1 - A, B, C, D (Page 7-11) and for Material / Plating Finish, Refer Table-2 (Page 12)

Connector Group - J

Straight



NOTE: \* For more cable entry and length options, contact factory

TABLE - A														
MIL PART NUMBER DESIGNATOR		CONNECTOR SHELL SIZE	A DIA. (MAX)		B (MAX)		C (REF)		G (MAX)		CABLE RANGE			
SHELL SIZE	DASH NO		INCH	MM	INCH	MM	INCH	MM	INCH	MM	MIN		MAX	
										INCH	MM	INCH	MM	
08	05	8	0.62	15.67	2.13	54.10	1.03	26.09	0.96	24.31	0.13	3.18	0.25	6.35
	06		0.62	15.67	3.13	79.50	1.03	26.09	0.96	24.31	0.13	3.18	0.25	6.35
	07*		0.62	15.67	2.88	73.15	1.03	26.09	1.15	29.08	0.25	6.35	0.44	11.10
	08*		0.62	15.67	3.88	98.55	1.03	26.09	1.15	29.08	0.25	6.35	0.44	11.10
10	09	10	0.73	18.64	2.13	54.10	1.03	26.09	0.96	24.31	0.13	3.18	0.31	7.92
	10		0.73	18.64	3.13	79.50	1.03	26.09	0.96	24.31	0.13	3.18	0.31	7.92
	11*		0.73	18.64	2.88	73.15	1.03	26.09	1.15	29.08	0.25	6.35	0.44	11.10
	12*		0.73	18.64	3.88	98.55	1.03	26.09	1.15	29.08	0.25	6.35	0.44	11.10
	136		0.73	18.64	2.13	54.10	1.03	26.09	1.15	29.08	0.25	6.35	0.38	9.53
12	137	7/12	0.73	18.64	3.13	79.50	1.03	26.09	1.15	29.08	0.25	6.35	0.38	9.53
	13		0.86	21.79	2.13	54.10	1.03	26.09	1.15	29.08	0.25	6.35	0.44	11.10
	14		0.86	21.79	3.13	79.50	1.03	26.09	1.15	29.08	0.25	6.35	0.44	11.10
	15*		0.86	21.79	2.88	73.15	1.03	26.09	1.33	33.83	0.35	8.89	0.63	15.88
	16*		0.86	21.79	3.88	98.55	1.03	26.09	1.33	33.83	0.35	8.89	0.63	15.88
	111		0.86	21.79	2.13	54.10	1.03	26.09	1.33	33.83	0.35	8.89	0.50	12.70
	114		0.86	21.79	2.13	54.10	1.03	26.09	0.96	24.31	0.13	3.18	0.31	7.92
	115		0.86	21.79	3.13	79.50	1.03	26.09	0.96	24.31	0.13	3.18	0.31	7.92
	138		0.86	21.79	2.13	54.10	1.03	26.09	1.33	33.83	0.35	8.89	0.50	12.70
14	139	12/14	0.86	21.79	3.13	79.50	1.03	26.09	1.33	33.83	0.35	8.89	0.50	12.70
	17		0.98	24.99	2.13	54.10	1.03	26.09	1.33	33.83	0.35	8.89	0.58	14.61
	18		0.98	24.99	3.13	79.50	1.03	26.09	1.33	33.83	0.35	8.89	0.58	14.61
	19*		0.98	24.99	2.88	73.15	1.06	26.90	1.55	39.40	0.50	12.70	0.75	19.05
	20*		0.98	24.99	3.88	98.55	1.06	26.90	1.55	39.40	0.50	12.70	0.75	19.05
	116		0.98	24.99	2.13	54.10	1.03	26.09	1.15	29.08	0.25	6.35	0.44	11.10
	117		0.98	24.99	3.13	79.50	1.03	26.09	1.15	29.08	0.25	6.35	0.44	11.10
	150		0.98	24.99	2.13	54.10	1.03	26.09	0.96	24.31	0.13	3.18	0.31	7.92
151	0.98	24.99	3.13	79.50	1.03	26.09	0.96	24.31	0.13	3.18	0.31	7.92		

Table Continued

### Connector Group - J

Straight

MIL PART NUMBER DESIGNATOR		CONNECTOR SHELL SIZE	TABLE - A											
			A DIA. (MAX)		B (MAX)		C (REF)		G (MAX)		CABLE RANGE			
			SHELL SIZE	DASH NO	INCH	MM	INCH	MM	INCH	MM	INCH	MM	MIN	
INCH	MM	INCH											MM	
16	21	19/16	1.11	28.24	2.13	54.10	1.06	26.90	1.55	39.40	0.50	12.70	0.70	17.78
	22		1.11	28.24	3.13	79.50	1.06	26.90	1.55	39.40	0.50	12.70	0.70	17.78
	23*		1.11	28.24	2.88	73.15	1.16	29.36	1.77	44.96	0.63	15.88	0.94	23.80
	24*		1.11	28.24	3.88	98.55	1.16	29.36	1.77	44.96	0.63	15.88	0.94	23.80
	112		1.11	28.24	2.13	54.10	1.03	26.09	1.15	29.08	0.25	6.35	0.44	11.10
	113		1.11	28.24	3.13	79.50	1.03	26.09	1.15	29.08	0.25	6.35	0.44	11.10
	118		1.11	28.24	2.13	54.10	1.03	26.09	1.33	33.83	0.35	8.89	0.63	15.88
	119		1.11	28.24	3.13	79.50	1.03	26.09	1.33	33.83	0.35	8.89	0.63	15.88
	152		1.11	28.24	2.13	54.10	1.03	26.09	0.96	24.31	0.13	3.18	0.31	7.92
	153		1.11	28.24	3.13	79.50	1.03	26.09	0.96	24.31	0.13	3.18	0.31	7.92
18	25	27/18	1.22	30.94	2.13	54.10	1.03	26.09	1.33	33.83	0.35	8.89	0.63	15.88
	26		1.22	30.94	3.13	79.50	1.03	26.09	1.33	33.83	0.35	8.89	0.63	15.88
	27		1.22	30.94	2.13	54.10	1.06	26.90	1.55	39.40	0.50	12.70	0.75	19.05
	28		1.22	30.94	3.13	79.50	1.06	26.90	1.55	39.40	0.50	12.70	0.75	19.05
	29*		1.22	30.94	2.88	73.15	1.16	29.36	1.77	44.96	0.63	15.88	0.94	23.80
	30*		1.22	30.94	3.88	98.55	1.16	29.36	1.77	44.96	0.63	15.88	0.94	23.80
	120		1.22	30.94	2.13	54.10	1.03	26.09	0.96	24.31	0.13	3.18	0.31	7.92
	121		1.22	30.94	3.13	79.50	1.03	26.09	0.96	24.31	0.13	3.18	0.31	7.92
	122		1.22	30.94	2.13	54.10	1.03	26.09	1.15	29.08	0.25	6.35	0.44	11.10
	123		1.22	30.94	3.13	79.50	1.03	26.09	1.15	29.08	0.25	6.35	0.44	11.10
20	31	37/20	1.35	34.16	3.13	79.50	1.03	26.09	1.33	33.83	0.35	8.89	0.63	15.88
	32		1.35	34.16	4.13	104.90	1.03	26.09	1.33	33.83	0.35	8.89	0.63	15.88
	33		1.35	34.16	3.13	79.50	1.06	26.90	1.55	39.40	0.50	12.70	0.75	19.05
	34		1.35	34.16	4.13	104.90	1.06	26.90	1.55	39.40	0.50	12.70	0.75	19.05
	35*		1.35	34.16	3.88	98.55	1.16	29.36	1.77	44.96	0.63	15.88	0.94	23.80
	36*		1.35	34.16	4.88	123.95	1.16	29.36	1.77	44.96	0.63	15.88	0.94	23.80
	37*		1.35	34.16	3.88	98.55	1.38	34.93	2.11	53.67	0.88	22.23	1.25	31.75
	38*		1.35	34.16	4.88	123.95	1.38	34.93	2.11	53.67	0.88	22.23	1.25	31.75
	124		1.35	34.16	3.13	79.50	1.03	26.09	1.15	29.08	0.25	6.35	0.44	11.10
	125		1.35	34.16	4.13	104.90	1.03	26.09	1.15	29.08	0.25	6.35	0.44	11.10
22	140	22	1.35	34.16	3.13	79.50	1.16	29.36	1.77	44.96	0.63	15.88	0.90	22.96
	141		1.35	34.16	4.13	104.90	1.16	29.36	1.77	44.96	0.63	15.88	0.90	22.96
	39		1.47	37.29	3.13	79.50	1.03	26.09	1.33	33.83	0.35	8.89	0.63	15.88
	40		1.47	37.29	4.13	104.90	1.03	26.09	1.33	33.83	0.35	8.89	0.63	15.88
	41		1.47	37.29	3.13	79.50	1.06	26.90	1.55	39.40	0.50	12.70	0.75	19.05
	42		1.47	37.29	4.13	104.90	1.06	26.90	1.55	39.40	0.50	12.70	0.75	19.05
	43		1.47	37.29	3.13	79.50	1.16	29.36	1.77	44.96	0.63	15.88	0.94	23.80
	44		1.47	37.29	4.13	104.90	1.16	29.36	1.77	44.96	0.63	15.88	0.94	23.80
	45*		1.47	37.29	3.88	98.55	1.38	34.93	2.11	53.67	0.88	22.23	1.25	31.75
	46*		1.47	37.29	4.88	123.95	1.38	34.93	2.11	53.67	0.88	22.23	1.25	31.75
24	126	24	1.47	37.29	3.13	79.50	1.03	26.09	0.96	24.31	0.13	3.18	0.31	7.92
	127		1.47	37.29	4.13	104.90	1.03	26.09	0.96	24.31	0.13	3.18	0.31	7.92
	128		1.47	37.29	3.13	79.50	1.03	26.09	1.15	29.08	0.25	6.35	0.44	11.10
	129		1.47	37.29	4.13	104.90	1.03	26.09	1.15	29.08	0.25	6.35	0.44	11.10
	142		1.47	37.29	3.13	79.50	1.38	34.93	2.11	53.67	0.88	22.23	1.03	26.14
	143		1.47	37.29	4.13	104.90	1.38	34.93	2.11	53.67	0.88	22.23	1.03	26.14
	47		1.59	40.46	3.13	79.50	1.06	26.90	1.55	39.40	0.50	12.70	0.75	19.05
	48		1.59	40.46	4.13	104.90	1.06	26.90	1.55	39.40	0.50	12.70	0.75	19.05
	49		1.59	40.46	3.13	79.50	1.16	29.36	1.77	44.96	0.63	15.88	0.81	20.62
	50		1.59	40.46	4.13	104.90	1.16	29.36	1.77	44.96	0.63	15.88	0.81	20.62
24	51	24	1.59	40.46	3.13	79.50	1.16	29.36	1.77	44.96	0.63	15.88	0.94	23.80
	52		1.59	40.46	4.13	104.90	1.16	29.36	1.77	44.96	0.63	15.88	0.94	23.80
	53*		1.59	40.46	3.88	98.55	1.38	34.93	2.11	53.67	0.88	22.23	1.25	31.75
	54*		1.59	40.46	4.88	123.95	1.38	34.93	2.11	53.67	0.88	22.23	1.25	31.75
	130		1.59	40.46	3.13	79.50	1.03	26.09	1.33	33.83	0.35	8.89	0.63	15.88
	131		1.59	40.46	4.13	104.90	1.03	26.09	1.33	33.83	0.35	8.89	0.63	15.88
	144		1.59	40.46	3.13	79.50	1.38	34.93	2.11	53.67	0.88	22.23	1.14	29.06
	145		1.59	40.46	4.13	104.90	1.38	34.93	2.11	53.67	0.88	22.23	1.14	29.06

Table Continued



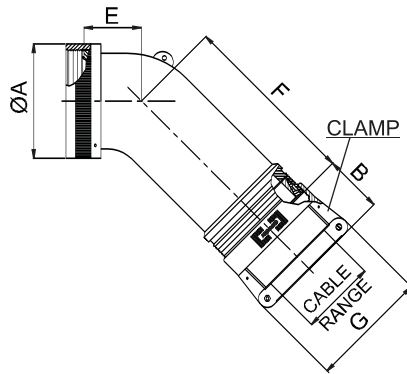
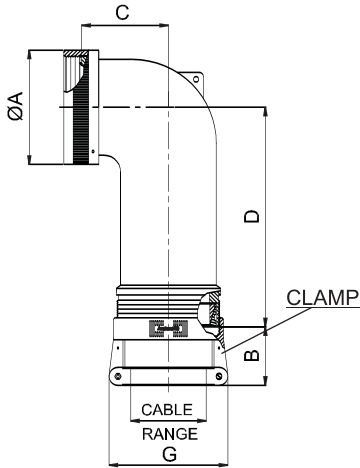
### Connector Group - J

### Straight

TABLE - A														
MIL PART NUMBER DESIGNATOR		CONNECTOR SHELL SIZE	A DIA. (MAX)		B (MAX)		C (REF)		G (MAX)		CABLE RANGE			
SHELL SIZE	DASH NO		INCH	MM	INCH	MM	INCH	MM	INCH	MM	MIN		MAX	
											INCH	MM	INCH	MM
28	55	28	1.97	50.01	3.13	79.50	1.06	26.90	1.55	39.40	0.50	12.70	0.75	19.05
	56		1.97	50.01	4.13	104.90	1.06	26.90	1.55	39.40	0.50	12.70	0.75	19.05
	57		1.97	50.01	3.13	79.50	1.16	29.36	1.77	44.96	0.63	15.88	0.94	23.80
	58		1.97	50.01	4.13	104.90	1.16	29.36	1.77	44.96	0.63	15.88	0.94	23.80
	59		1.97	50.01	3.13	79.50	1.38	34.93	2.11	53.67	0.88	22.23	1.25	31.75
	60		1.97	50.01	4.13	104.90	1.38	34.93	2.11	53.67	0.88	22.23	1.25	31.75
	61		1.97	50.01	3.13	79.50	1.50	38.10	2.36	60.02	1.00	25.40	1.38	34.93
62	1.97	50.01	4.13	104.90	1.50	38.10	2.36	60.02	1.00	25.40	1.38	34.93		
32	63	32	2.22	56.36	3.13	79.50	1.16	29.36	1.77	44.96	0.63	15.88	0.94	23.80
	64		2.22	56.36	4.13	104.90	1.16	29.36	1.77	44.96	0.63	15.88	0.94	23.80
	65		2.22	56.36	3.13	79.50	1.38	34.93	2.11	53.67	0.88	22.23	1.25	31.75
	66		2.22	56.36	4.13	104.90	1.38	34.93	2.11	53.67	0.88	22.23	1.25	31.75
	67		2.22	56.36	3.13	79.50	1.50	38.10	2.36	60.02	1.00	25.40	1.38	34.93
	68		2.22	56.36	4.13	104.90	1.50	38.10	2.36	60.02	1.00	25.40	1.38	34.93
	69		2.22	56.36	3.13	79.50	1.78	45.24	2.77	70.36	1.25	31.75	1.63	41.28
70	2.22	56.36	4.13	104.90	1.78	45.24	2.77	70.36	1.25	31.75	1.63	41.28		
36	71	36	2.47	62.71	4.13	104.90	1.38	34.93	2.11	53.67	0.88	22.23	1.25	31.75
	72		2.47	62.71	5.13	130.30	1.38	34.93	2.11	53.67	0.88	22.23	1.25	31.75
	73		2.47	62.71	4.13	104.90	1.50	38.10	2.36	60.02	1.00	25.40	1.38	34.93
	74		2.47	62.71	5.13	130.30	1.50	38.10	2.36	60.02	1.00	25.40	1.38	34.93
	75		2.47	62.71	4.13	104.90	1.78	45.24	2.77	70.36	1.25	31.75	1.63	41.28
	76		2.47	62.71	5.13	130.30	1.78	45.24	2.77	70.36	1.25	31.75	1.63	41.28
	77*		2.47	62.71	5.01	127.25	1.83	46.48	3.02	76.71	1.44	36.50	1.88	47.63
	78*		2.47	62.71	6.01	152.65	1.83	46.48	3.02	76.71	1.44	36.50	1.88	47.63
	132		2.47	62.71	4.13	104.90	1.06	26.90	1.55	39.40	0.50	12.70	0.75	19.05
	133		2.47	62.71	5.13	130.30	1.06	26.90	1.55	39.40	0.50	12.70	0.75	19.05
146	2.47	62.71	4.13	104.90	1.83	46.48	3.02	76.71	1.44	36.50	1.84	46.74		
147	2.47	62.71	5.13	130.30	1.83	46.48	3.02	76.71	1.44	36.50	1.84	46.74		
148	2.47	62.71	4.13	104.90	1.16	29.36	1.77	44.96	0.63	15.88	0.94	23.80		
149	2.47	62.71	5.13	130.30	1.16	29.36	1.77	44.96	0.63	15.88	0.94	23.80		
40	79	40	2.72	69.06	4.13	104.90	1.38	34.93	2.11	53.67	0.88	22.23	1.25	31.75
	80		2.72	69.06	5.13	130.30	1.38	34.93	2.11	53.67	0.88	22.23	1.25	31.75
	81		2.72	69.06	4.13	104.90	1.50	38.10	2.36	60.02	1.00	25.40	1.38	34.93
	82		2.72	69.06	5.13	130.30	1.50	38.10	2.36	60.02	1.00	25.40	1.38	34.93
	83		2.72	69.06	4.13	104.90	1.78	45.24	2.77	70.36	1.25	31.75	1.63	41.28
	84		2.72	69.06	5.13	130.30	1.78	45.24	2.77	70.36	1.25	31.75	1.63	41.28
	85		2.72	69.06	4.13	104.90	1.83	46.48	3.02	76.71	1.44	36.50	1.88	47.63
	86		2.72	69.06	5.13	130.30	1.83	46.48	3.02	76.71	1.44	36.50	1.88	47.63
	134		2.72	69.06	4.13	104.90	1.06	26.90	1.55	39.40	0.50	12.70	0.75	19.05
	135		2.72	69.06	5.13	130.30	1.06	26.90	1.55	39.40	0.50	12.70	0.75	19.05
156	2.72	69.06	4.13	104.90	1.16	29.36	1.77	44.96	0.63	15.88	0.94	23.80		
157	2.72	69.06	5.13	130.30	1.16	29.36	1.77	44.96	0.63	15.88	0.94	23.80		
44	87	44	2.97	75.41	4.13	104.90	1.38	34.93	2.11	53.67	0.88	22.23	1.25	31.75
	88		2.97	75.41	5.13	130.30	1.38	34.93	2.11	53.67	0.88	22.23	1.25	31.75
	89		2.97	75.41	4.13	104.90	1.50	38.10	2.36	60.02	1.00	25.40	1.38	34.93
	90		2.97	75.41	5.13	130.30	1.50	38.10	2.36	60.02	1.00	25.40	1.38	34.93
	91		2.97	75.41	4.13	104.90	1.78	45.24	2.77	70.36	1.25	31.75	1.63	41.28
	92		2.97	75.41	5.13	130.30	1.78	45.24	2.77	70.36	1.25	31.75	1.63	41.28
	93		2.97	75.41	4.13	104.90	1.83	46.48	3.02	76.71	1.44	36.50	1.88	47.63
	94		2.97	75.41	5.13	130.30	1.83	46.48	3.02	76.71	1.44	36.50	1.88	47.63
154	2.97	75.41	4.13	104.90	1.16	29.36	1.77	44.96	0.63	15.88	0.94	23.80		
155	2.97	75.41	5.13	130.30	1.16	29.36	1.77	44.96	0.63	15.88	0.94	23.80		
48	95	48	3.22	81.76	4.13	104.90	1.38	34.93	2.11	53.67	0.88	22.23	1.25	31.75
	96		3.22	81.76	5.13	130.30	1.38	34.93	2.11	53.67	0.88	22.23	1.25	31.75
	97		3.22	81.76	4.13	104.90	1.50	38.10	2.36	60.02	1.00	25.40	1.38	34.93
	98		3.22	81.76	5.13	130.30	1.50	38.10	2.36	60.02	1.00	25.40	1.38	34.93
	99		3.22	81.76	4.13	104.90	1.78	45.24	2.77	70.36	1.25	31.75	1.63	41.28
	100		3.22	81.76	5.13	130.30	1.78	45.24	2.77	70.36	1.25	31.75	1.63	41.28
	101		3.22	81.76	4.13	104.90	1.83	46.48	3.02	76.71	1.44	36.50	1.88	47.63
102	3.22	81.76	5.13	130.30	1.83	46.48	3.02	76.71	1.44	36.50	1.88	47.63		

### Connector Group - J

90°, 45°



**MIL Part Number**  
**M85049 / 24-10 W**

MIL Series ——— M85049  
 Slash sheet ——— 24: 90deg, spin coupling  
                           23: 45deg, spin coupling

Finish: See Table-2  
 Dash Number: See Table-B

**NOTE:** \* For more cable entry options, contact factory

TABLE - B												
MIL PART NUMBER DESIGNATOR		CONNECTOR SHELL SIZE	A DIA. (MAX)		B (REF)		C (MAX)		D (MAX)		E (MAX)	
SHELL SIZE	DASH NO		INCH	MM	INCH	MM	INCH	MM	INCH	MM	INCH	MM
08	3	8	0.62	15.67	1.03	26.09	0.67	17.02	1.26	32.00	0.63	16.00
10	4	10	0.73	18.64	1.03	26.09	0.76	19.30	1.98	50.29	0.69	17.53
	49*		0.73	18.64	1.03	26.09	1.52	38.61	2.00	50.80	1.50	38.10
12	5	7/12	0.73	18.64	1.03	26.09	0.76	19.30	1.38	35.05	0.69	17.53
	6		0.86	21.79	1.03	26.09	0.77	19.56	2.00	50.80	0.75	19.05
	71*		0.86	21.79	1.03	26.09	1.81	45.97	2.16	54.86	1.65	41.91
	7		0.86	21.79	1.03	26.09	0.77	19.56	2.00	50.80	0.75	19.05
14	8	12/14	0.86	21.79	1.03	26.09	0.77	19.56	1.40	35.56	0.75	19.05
	9		0.98	24.99	1.03	26.09	0.87	22.10	2.07	52.58	0.81	20.57
	10		0.98	24.99	1.03	26.09	0.87	22.10	1.72	43.69	0.81	20.57
	50*		0.98	24.99	1.06	26.90	1.89	48.01	2.33	59.18	1.84	46.74
16	74	19/16	0.98	24.99	1.03	26.09	0.87	22.10	2.07	52.58	0.81	20.57
	11		1.11	28.24	1.03	26.09	1.05	26.67	2.16	54.86	0.91	23.11
	12		1.11	28.24	1.06	26.90	1.05	26.67	1.81	45.97	0.91	23.11
	40		1.11	28.24	1.03	26.09	1.05	26.67	2.16	54.86	0.91	23.11
	51*		1.11	28.24	1.16	29.36	2.04	51.82	2.44	61.98	1.94	49.28
	75		1.11	28.24	1.03	26.09	1.05	26.67	2.16	54.86	0.91	23.11

Table Continued

Connector Group - J

90°, 45°

TABLE - B												
MIL PART NUMBER DESIGNATOR		CONNECTOR SHELL SIZE	A DIA. (MAX)		B (REF)		C (MAX)		D (MAX)		E (MAX)	
SHELL SIZE	DASH NO		INCH	MM	INCH	MM	INCH	MM	INCH	MM	INCH	MM
18	13	27/18	1.22	30.94	1.03	26.09	1.14	28.96	2.33	59.18	1.09	27.69
	14		1.22	30.94	1.16	29.36	1.14	28.96	1.98	50.29	1.09	27.69
	41		1.22	30.94	1.03	26.09	1.14	28.96	2.33	59.18	1.09	27.69
	42		1.22	30.94	1.03	26.09	1.14	28.96	2.33	59.18	1.09	27.69
	52		1.22	30.94	1.06	26.90	1.14	28.96	2.33	59.18	1.09	27.69
	72*		1.22	30.94	1.16	29.36	2.05	52.07	2.44	61.98	1.94	49.28
20	15	37/20	1.35	34.16	1.03	26.09	1.14	28.96	2.33	59.18	1.09	27.69
	16		1.35	34.16	1.16	29.36	1.14	28.96	1.98	50.29	1.09	27.69
	43		1.35	34.16	1.03	26.09	1.14	28.96	2.33	59.18	1.09	27.69
	54		1.35	34.16	1.06	26.90	1.14	28.96	2.33	59.18	1.09	27.69
	55		1.35	34.16	1.38	34.93	2.14	54.36	2.61	66.29	2.06	52.32
22	17	22	1.47	37.29	1.06	26.90	1.29	32.77	2.44	61.98	1.19	30.23
	18		1.47	37.29	1.38	34.93	1.29	32.77	2.09	53.09	1.19	30.23
	44		1.47	37.29	1.03	26.09	1.29	32.77	2.44	61.98	1.19	30.23
	45		1.47	37.29	1.03	26.09	1.29	32.77	2.44	61.98	1.19	30.23
	56		1.47	37.29	1.03	26.09	1.29	32.77	2.44	61.98	1.19	30.23
	57		1.47	37.29	1.16	29.36	1.29	32.77	2.44	61.98	1.19	30.23
	58*		1.47	37.29	1.38	34.93	2.14	54.36	2.61	66.29	2.06	52.32
24	19	24	1.59	40.46	1.06	26.90	1.29	32.77	2.44	61.98	1.19	30.23
	20		1.59	40.46	1.38	34.93	1.29	32.77	2.09	53.09	1.19	30.23
	46		1.59	40.46	1.03	26.09	1.29	32.77	2.44	61.98	1.19	30.23
	59		1.59	40.46	1.16	29.36	1.29	32.77	2.44	61.98	1.19	30.23
			73*		1.59	40.46	1.38	34.93	2.15	54.61	2.61	66.29
28	21	28	1.97	50.01	1.16	29.36	1.39	35.31	2.61	66.29	1.31	33.27
	22		1.97	50.01	1.50	38.10	1.39	35.31	2.26	57.40	1.31	33.27
	60		1.97	50.01	1.06	26.90	1.39	35.31	2.61	66.29	1.31	33.27
	61		1.97	50.01	1.38	34.93	1.39	35.31	2.61	66.29	1.31	33.27
32	23	32	2.22	56.36	1.16	29.36	1.74	44.20	2.86	72.64	1.38	35.05
	24		2.22	56.36	1.38	34.93	1.74	44.20	2.86	72.64	1.38	35.05
	25		2.22	56.36	1.78	45.24	1.74	44.20	2.51	63.75	1.38	35.05
	62		2.22	56.36	1.50	38.10	1.74	44.20	2.86	72.64	1.38	35.05
36	26	36	2.47	62.71	1.16	29.36	1.94	49.28	2.83	71.88	1.41	35.81
	27		2.47	62.71	1.50	38.10	1.94	49.28	2.83	71.88	1.41	35.81
	28		2.47	62.71	1.83	46.48	1.94	49.28	2.48	62.99	1.41	35.81
	47		2.47	62.71	1.06	26.90	1.94	49.28	2.83	71.88	1.41	35.81
	63		2.47	62.71	1.38	34.93	1.94	49.28	2.83	71.88	1.41	35.81
	64		2.47	62.71	1.78	45.24	1.94	49.28	2.83	71.88	1.41	35.81
40	29	40	2.72	69.06	1.16	29.36	2.69	68.33	2.83	71.88	2.16	54.86
	30		2.72	69.06	1.50	38.10	2.69	68.33	2.83	71.88	2.16	54.86
	31		2.72	69.06	1.83	46.48	2.69	68.33	2.48	62.99	2.16	54.86
	48		2.72	69.06	1.06	26.90	1.94	49.28	2.83	71.88	2.16	54.86
	65		2.72	69.06	1.38	34.93	2.69	68.33	2.83	71.88	2.16	54.86
	66		2.72	69.06	1.78	45.24	2.69	68.33	2.83	71.88	2.16	54.86
44	32	44	2.97	75.41	1.16	29.36	2.69	68.33	2.83	71.88	2.16	54.86
	33		2.97	75.41	1.50	38.10	2.69	68.33	2.83	71.88	2.16	54.86
	34		2.97	75.41	1.83	46.48	2.69	68.33	2.48	62.99	2.16	54.86
	67		2.97	75.41	1.38	34.93	2.69	68.33	2.83	71.88	2.16	54.86
	68		2.97	75.41	1.78	45.24	2.69	68.33	2.83	71.88	2.16	54.86
48	35	48	3.22	81.76	1.16	29.36	2.69	68.33	2.83	71.88	2.16	54.86
	36		3.22	81.76	1.50	38.10	2.69	68.33	2.83	71.88	2.16	54.86
	37		3.22	81.76	1.83	46.48	2.69	68.33	2.48	62.99	2.16	54.86
	69		3.22	81.76	1.38	34.93	2.69	68.33	2.83	71.88	2.16	54.86
	70		3.22	81.76	1.78	45.24	2.69	68.33	2.83	71.88	2.16	54.86

Table Continued

TABLE - B										
MIL PART NUMBER DESIGNATOR		CONNECTOR SHELL SIZE	F (MAX)		G (MAX)		CABLE RANGE			
SHELL SIZE	DASH NO		INCH	MM	INCH	MM	MIN		MAX	
							INCH	MM	INCH	MM
08	3	8	1.25	31.75	0.96	24.31	0.13	3.18	0.25	6.35
10	4	10	1.92	48.77	0.96	24.31	0.13	3.18	0.31	7.92
	49*		1.98	50.29	1.15	29.08	0.25	6.35	0.44	11.10
	5		1.31	33.27	1.15	29.08	0.25	6.35	0.38	9.53
12	6	7/12	1.98	50.29	0.96	24.31	0.13	3.18	0.31	7.92
	71*		2.18	55.37	1.33	33.83	0.35	8.89	0.63	15.88
	7		1.98	50.29	1.15	29.08	0.25	6.35	0.44	11.10
	8		1.98	50.29	1.33	33.83	0.35	8.89	0.50	12.70
14	9	12/14	2.07	52.58	1.15	29.08	0.25	6.35	0.44	11.10
	10		1.72	43.69	1.33	33.83	0.35	8.89	0.58	14.61
	50*		2.37	60.20	1.55	39.40	0.50	12.70	0.75	19.05
	74		2.07	52.58	0.96	24.31	0.13	3.18	0.31	7.92
16	11	19/16	2.18	55.37	1.15	29.08	0.25	6.35	0.44	11.10
	12		1.82	46.23	1.55	39.40	0.50	12.70	0.70	17.78
	40		2.18	55.37	1.33	33.83	0.35	8.89	0.63	15.88
	51*		2.52	64.01	1.77	44.96	0.63	15.88	0.94	23.80
18	75	27/18	2.18	55.37	0.96	24.31	0.13	3.18	0.31	7.92
	13		2.37	60.20	1.33	33.83	0.35	8.89	0.63	15.88
	14		2.00	50.80	1.77	44.96	0.63	15.88	0.78	19.79
	41		2.37	60.20	0.96	24.31	0.13	3.18	0.31	7.92
	42		2.37	60.20	1.15	29.08	0.25	6.35	0.44	11.10
	52		2.37	60.20	1.55	39.40	0.50	12.70	0.75	19.05
20	72*	37/20	2.52	64.01	1.77	44.96	0.63	15.88	0.94	23.80
	15		2.37	60.20	1.33	33.83	0.35	8.89	0.63	15.88
	16		2.00	50.80	1.77	44.96	0.63	15.88	0.90	22.96
	43		2.37	60.20	1.15	29.08	0.25	6.35	0.44	11.10
	54		2.37	60.20	1.55	39.40	0.50	12.70	0.75	19.05
22	55	22	2.57	65.28	2.11	53.67	0.88	22.23	1.25	31.75
	17		2.52	64.01	1.55	39.40	0.50	12.70	0.75	19.05
	18		2.16	54.86	2.11	53.67	0.88	22.23	1.03	26.14
	44		2.52	64.01	0.96	24.31	0.13	3.18	0.31	7.92
	45		2.52	64.01	1.15	29.08	0.25	6.35	0.44	11.10
	56		2.52	64.01	1.33	33.83	0.35	8.89	0.63	15.88
24	57	24	2.52	64.01	1.77	44.96	0.63	15.88	0.94	23.80
	58*		2.57	65.28	2.11	53.67	0.88	22.23	1.25	31.75
	19		2.52	64.01	1.55	39.40	0.50	12.70	0.75	19.05
	20		2.16	54.86	2.11	53.67	0.88	22.23	1.14	29.06
	46		2.52	64.01	1.33	33.83	0.35	8.89	0.63	15.88
28	59	28	2.52	64.01	1.77	44.96	0.63	15.88	0.94	23.80
	73*		2.57	65.28	2.12	53.75	0.88	22.23	1.25	31.75
	21		2.57	65.28	1.77	44.96	0.63	15.88	0.94	23.80
	22		2.22	56.39	2.36	60.02	1.00	25.40	1.38	34.93
	60		2.57	65.28	1.55	39.40	0.50	12.70	0.75	19.05
32	61	32	2.57	65.28	2.11	53.67	0.88	22.23	1.25	31.75
	23		2.67	67.82	1.77	44.96	0.63	15.88	0.94	23.80
	24		2.67	67.82	2.11	53.67	0.88	22.23	1.25	31.75
	25		2.32	58.93	2.77	70.36	1.25	31.75	1.63	41.28
62	2.67	67.82	2.36	60.02	1.00	25.40	1.38	34.93		

Table Continued

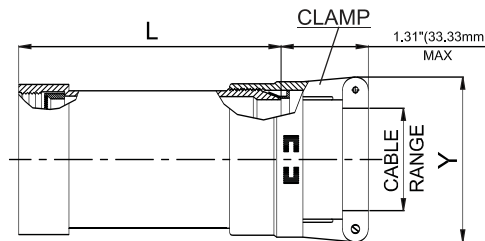
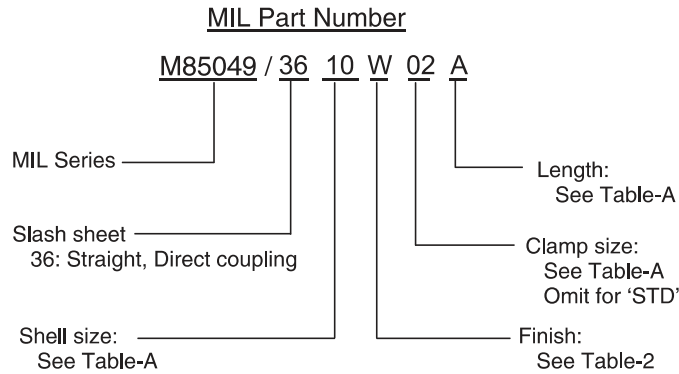
Connector Group - J

90°, 45°

TABLE - B										
MIL PART NUMBER DESIGNATOR		CONNECTOR SHELL SIZE	F (MAX)		G (MAX)		CABLE RANGE			
SHELL SIZE	DASH NO		INCH	MM	INCH	MM	MIN		MAX	
							INCH	MM	INCH	MM
32	23	32	2.67	67.82	1.77	44.96	0.63	15.88	0.94	23.80
	24		2.67	67.82	2.11	53.67	0.88	22.23	1.25	31.75
	25		2.32	58.93	2.77	70.36	1.25	31.75	1.63	41.28
	62		2.67	67.82	2.36	60.02	1.00	25.40	1.38	34.93
36	26	36	2.76	70.10	1.77	44.96	0.63	15.88	0.94	23.80
	27		2.76	70.10	2.36	60.02	1.00	25.40	1.38	34.93
	28		2.41	61.21	3.02	76.71	1.44	36.50	1.84	46.74
	47		2.76	70.10	1.55	39.40	0.50	12.70	0.75	19.05
	63		2.76	70.10	2.11	53.67	0.88	22.23	1.25	31.75
40	64	40	2.76	70.10	2.77	70.36	1.25	31.75	1.63	41.28
	29		2.76	70.10	1.77	44.96	0.63	15.88	0.94	23.80
	30		2.76	70.10	2.36	60.02	1.00	25.40	1.38	34.93
	31		2.41	61.21	3.02	76.71	1.44	36.50	1.88	47.63
	48		2.76	70.10	1.55	39.40	0.50	12.70	0.75	19.05
44	65	44	2.76	70.10	2.11	53.67	0.88	22.23	1.25	31.75
	66		2.76	70.10	2.77	70.36	1.25	31.75	1.63	41.28
	32		2.76	70.10	1.77	44.96	0.63	15.88	0.94	23.80
	33		2.76	70.10	2.36	60.02	1.00	25.40	1.38	34.93
	34		2.41	61.21	3.02	76.71	1.44	36.50	1.88	47.63
48	67	48	2.76	70.10	2.11	53.67	0.88	22.23	1.25	31.75
	68		2.76	70.10	2.77	70.36	1.25	31.75	1.63	41.28
	35		2.76	70.10	1.77	44.96	0.63	15.88	0.94	23.80
	36		2.76	70.10	2.36	60.02	1.00	25.40	1.38	34.93
	37		2.41	61.21	3.02	76.71	1.44	36.50	1.88	47.63
48	69	48	2.76	70.10	2.11	53.67	0.88	22.23	1.25	31.75
	70		2.76	70.10	2.77	70.36	1.25	31.75	1.63	41.28

### Connector Group - K

### Straight



**NOTE:** \* For more cable entry and length options, contact factory

<b>TABLE - A</b>												
<b>MIL PART NUMBER DESIGNATOR</b>			<b>CONNECTOR SHELL SIZE SE - II / I</b>	<b>CABLE RANGE</b>				<b>L (MAX)</b>		<b>Y (MAX)</b>		
<b>ACCESSORY SHELL SIZE</b>	<b>CLAMP SIZE</b>	<b>LENGTH</b>		<b>MIN</b>		<b>MAX</b>		<b>INCH</b>	<b>MM</b>	<b>INCH</b>	<b>MM</b>	
				<b>INCH</b>	<b>MM</b>	<b>INCH</b>	<b>MM</b>					
08	01	STD.	8 / 9	0.06	1.57	0.13	3.18	1.53	38.86	0.78	19.81	
		A						2.53	64.26			
	02	STD.		0.13	3.18	0.25	6.35	1.53	38.86			
		A		2.53	64.26							
10	01	STD.		10 / 11	0.06	1.57	0.13	3.18	1.53	38.86	0.78	19.81
		A							2.53	64.26		
	02	STD.			0.13	3.18	0.25	6.35	1.53	38.86		
		A			2.53	64.26						
	03	STD.	0.25		6.35	0.38	9.53	1.53	38.86			
		A	2.53		64.26							
12	02	STD.	12 / 13	0.13	3.18	0.25	6.35	1.53	38.86	0.97	24.64	
		A						2.53	64.26			
	03	STD.		0.25	6.35	0.38	9.53	1.53	38.86			
		A		2.53	64.26							
	04	STD.		0.31	7.92	0.50	12.70	1.53	38.86			
		A		2.53	64.26							
14	02	STD.	14 / 15	0.13	3.18	0.25	6.35	1.53	38.86	0.97	24.64	
		A						2.53	64.26			
		B						3.53	89.66			
		STD.						1.53	38.86			
	03	STD.		0.25	6.35	0.38	9.53	1.53	38.86			
		A		2.53	64.26							
		B		3.53	89.66							
		STD.		1.53	38.86							
	04	STD.		0.31	7.92	0.50	12.70	2.53	64.26			
		A		3.53	89.66							
		B		1.53	38.86							
		STD.		2.53	64.26							
05	STD.	0.44	11.10	0.63	15.88	1.53	38.86					
	A	2.53	64.26									
	B	3.53	89.66									
	STD.	1.53	38.86									

Table Continued

Connector Group - K

Straight

TABLE - A											
MIL PART NUMBER DESIGNATOR			CONNECTOR SHELL SIZE SE - II / I	CABLE RANGE				L (MAX)		Y (MAX)	
ACCESSORY SHELL SIZE	CLAMP SIZE	LENGTH		MIN		MAX		INCH	MM	INCH	MM
				INCH	MM	INCH	MM				
16	02	STD.	16 / 17	0.13	3.18	0.25	6.35	1.53	38.86	0.97	24.64
		A						2.53	64.26		
		B						3.53	89.66		
	03	STD.		0.25	6.35	0.38	9.53	1.53	38.86	1.06	26.92
		A						2.53	64.26		
		B						3.53	89.66		
	04	STD.		0.31	7.92	0.50	12.70	1.53	38.86	1.16	29.46
		A						2.53	64.26		
		B						3.53	89.66		
	05	STD.		0.44	11.10	0.63	15.88	1.53	38.86	1.25	31.75
		A						2.53	64.26		
		B						3.53	89.66		
06	STD.	0.56	14.27	0.75	19.05	1.53	38.86	1.38	35.05		
	A					2.53	64.26				
	B					3.53	89.66				
18	03	STD.	18 / 19	0.25	6.35	0.38	9.53	1.53	38.86	1.06	26.92
		A						2.53	64.26		
		B						3.53	89.66		
	04	STD.		0.31	7.92	0.50	12.70	1.53	38.86	1.16	29.46
		A						2.53	64.26		
		B						3.53	89.66		
	05	STD.		0.44	11.10	0.63	15.88	1.53	38.86	1.25	31.75
		A						2.53	64.26		
		B						3.53	89.66		
	06	STD.		0.56	14.27	0.75	19.05	1.53	38.86	1.38	35.05
		A						2.53	64.26		
		B						3.53	89.66		
07	STD.	0.69	17.45	0.88	22.23	1.53	38.86	1.50	38.10		
	A					2.53	64.26				
	B					3.53	89.66				
20	03	STD.	20 / 21	0.25	6.35	0.38	9.53	1.53	38.86	1.06	26.92
		A						2.53	64.26		
		B						3.53	89.66		
		C						4.53	115.06		
	04	STD.		0.31	7.92	0.50	12.70	1.53	38.86	1.16	29.46
		A						2.53	64.26		
		B						3.53	89.66		
		C						4.53	115.06		
	05	STD.		0.44	11.10	0.63	15.88	1.53	38.86	1.25	31.75
		A						2.53	64.26		
		B						3.53	89.66		
		C						4.53	115.06		
	06	STD.		0.56	14.27	0.75	19.05	1.53	38.86	1.38	35.05
		A						2.53	64.26		
		B						3.53	89.66		
		C						4.53	115.06		
	07	STD.		0.69	17.45	0.88	22.23	1.53	38.86	1.50	38.10
		A						2.53	64.26		
		B						3.53	89.66		
		C						4.53	115.06		
	08	STD.		0.81	20.62	1.00	25.40	1.53	38.86	1.63	41.40
		A						2.53	64.26		
		B						3.53	89.66		
		C						4.53	115.06		

Table Continued

### Connector Group - K

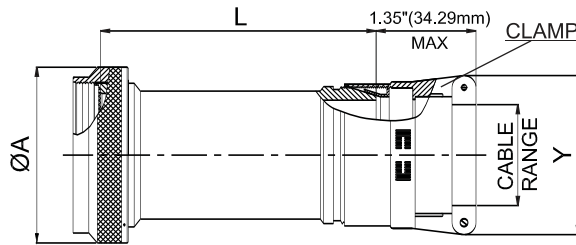
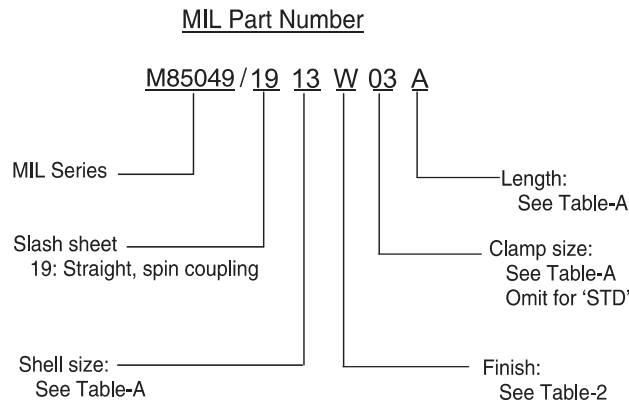
Straight

TABLE - A											
MIL PART NUMBER DESIGNATOR			CONNECTOR SHELL SIZE SE - II / I	CABLE RANGE				L (MAX)		Y (MAX)	
ACCESSORY SHELL SIZE	CLAMP SIZE	LENGTH		MIN		MAX		INCH	MM	INCH	MM
				INCH	MM	INCH	MM				
22	03	STD.	22 / 23	0.25	6.35	0.38	9.53	1.53	38.86	1.06	26.92
		A						2.53	64.26		
		B						3.53	89.66		
		C						4.53	115.06		
	04	STD.		0.31	7.92	0.50	12.70	1.53	38.86	1.16	29.46
		A						2.53	64.26		
		B						3.53	89.66		
		C						4.53	115.06		
	05	STD.		0.44	11.10	0.63	15.88	1.53	38.86	1.25	31.75
		A						2.53	64.26		
		B						3.53	89.66		
		C						4.53	115.06		
	06	STD.		0.56	14.27	0.75	19.05	1.53	38.86	1.38	35.05
		A						2.53	64.26		
		B						3.53	89.66		
		C						4.53	115.06		
	07	STD.		0.69	17.45	0.88	22.23	1.53	38.86	1.50	38.10
		A						2.53	64.26		
		B						3.53	89.66		
		C						4.53	115.06		
	08	STD.		0.81	20.62	1.00	25.40	1.53	38.86	1.63	41.40
		A						2.53	64.26		
		B						3.53	89.66		
		C						4.53	115.06		
09	STD.	0.94	23.80	1.13	28.58	1.53	38.86	1.75	44.45		
	A					2.53	64.26				
	B					3.53	89.66				
	C					4.53	115.06				
24	04	STD.	24 / 25	0.31	7.92	0.50	12.70	1.53	38.86	1.16	29.46
		A						2.53	64.26		
		B						3.53	89.66		
		C						4.53	115.06		
	05	STD.		0.44	11.10	0.63	15.88	1.53	38.86	1.25	31.75
		A						2.53	64.26		
		B						3.53	89.66		
		C						4.53	115.06		
	06	STD.		0.56	14.27	0.75	19.05	1.53	38.86	1.38	35.05
		A						2.53	64.26		
		B						3.53	89.66		
		C						4.53	115.06		
	07	STD.		0.69	17.45	0.88	22.23	1.53	38.86	1.50	38.10
		A						2.53	64.26		
		B						3.53	89.66		
		C						4.53	115.06		
	08	STD.		0.81	20.62	1.00	25.40	1.53	38.86	1.63	41.40
		A						2.53	64.26		
		B						3.53	89.66		
		C						4.53	115.06		
	09	STD.		0.94	23.80	1.13	28.58	1.53	38.86	1.75	44.45
		A						2.53	64.26		
		B						3.53	89.66		
		C						4.53	115.06		
10	STD.	1.06	26.97	1.25	31.75	1.53	38.86	1.88	47.75		
	A					2.53	64.26				
	B					3.53	89.66				
	C					4.53	115.06				



Connector Group - L

Straight



**NOTE:** \* For more cable entry and length options, contact factory

TABLE - A																
MIL PART NUMBER DESIGNATOR			CONNECTOR SHELL SIZE/CODE (REF.)	CABLE RANGE				A DIA. (MAX)		L (MAX)		Y (MAX)				
CONNECTOR SHELL SIZE	CLAMP SIZE	LENGTH		MIN		MAX		INCH	MM	INCH	MM	INCH	MM			
				INCH	MM	INCH	MM									
9	01	STD.	09 / A	0.06	1.57	0.13	3.18	0.75	19.05	1.53	38.86	0.80	20.32			
		A								2.53	64.26					
	02	STD.		0.13	3.18	0.25	6.35			1.53	38.86			1.00	25.40	
		A		2.53	64.26											
11	01	STD.		11 / B	0.06	1.57	0.13			3.18	0.85	21.59	1.53	38.86	0.80	20.32
		A											2.53	64.26		
	02	STD.			0.13	3.18	0.25			6.35			1.53	38.86	1.00	25.40
		A			2.53	64.26										
	03	STD.	0.25		6.35	0.38	9.53	1.53	38.86	1.10			27.94			
		A	2.53		64.26											
13	02	STD.	13 / C	0.13	3.18	0.25	6.35	1.00	25.40	1.53	38.86	1.00	25.40			
		A								2.53	64.26					
	03	STD.		0.25	6.35	0.38	9.53			1.53	38.86	1.10	27.94			
		A		2.53	64.26											
	04	STD.		0.31	7.92	0.50	12.70			1.53	38.86	1.20	30.48			
		A		2.53	64.26											
15	02	STD.	15 / D	0.13	3.18	0.25	6.35	1.10	27.94	1.53	38.86	1.00	25.40			
		A								2.53	64.26					
		B								3.53	89.66					
	03	STD.		0.25	6.35	0.38	9.53			1.53	38.86	1.10	27.94			
		A												2.53	64.26	
		B												3.53	89.66	
	04	STD.		0.31	7.92	0.50	12.70			1.53	38.86	1.20	30.48			
		A												2.53	64.26	
		B												3.53	89.66	
	05	STD.		0.44	11.10	0.63	15.88			1.53	38.86	1.25	31.75			
		A												2.53	64.26	
		B												3.53	89.66	

Table Continued

### Connector Group - L

### Straight

TABLE - A													
MIL PART NUMBER DESIGNATOR			CONNECTOR SHELL SIZE/CODE (REF.)	CABLE RANGE				A DIA. (MAX)		L (MAX)		Y (MAX)	
CONNECTOR SHELL SIZE	CLAMP SIZE	LENGTH		MIN		MAX		INCH	MM	INCH	MM	INCH	MM
				INCH	MM	INCH	MM						
17	02	STD.	17 / E	0.13	3.18	0.25	6.35	1.25	31.75	1.53	38.86	1.00	25.40
		A								2.53	64.26		
		B								3.53	89.66		
	03	STD.		0.25	6.35	0.38	9.53			1.10	27.94	1.53	38.86
		A										2.53	64.26
		B										3.53	89.66
	04	STD.		0.31	7.92	0.50	12.70			1.20	30.48	1.53	38.86
		A										2.53	64.26
		B										3.53	89.66
	05	STD.		0.44	11.10	0.63	15.88			1.25	31.75	1.53	38.86
		A										2.53	64.26
		B										3.53	89.66
06	STD.	0.56	14.27	0.75	19.05	1.40	35.56	1.53	38.86				
	A							2.53	64.26				
	B							3.53	89.66				
19	03	STD.	19 / F	0.25	6.35	0.38	9.53	1.40	35.56	1.53	38.86	1.10	27.94
		A								2.53	64.26		
		B								3.53	89.66		
	04	STD.		0.31	7.92	0.50	12.70			1.20	30.48	1.53	38.86
		A										2.53	64.26
		B										3.53	89.66
	05	STD.		0.44	11.10	0.63	15.88			1.25	31.75	1.53	38.86
		A										2.53	64.26
		B										3.53	89.66
	06	STD.		0.56	14.27	0.75	19.05			1.40	35.56	1.53	38.86
		A										2.53	64.26
		B										3.53	89.66
07	STD.	0.69	17.45	0.88	22.23	1.50	38.10	1.53	38.86				
	A							2.53	64.26				
	B							3.53	89.66				
21	03	STD.	21 / G	0.25	6.35	0.38	9.53	1.50	38.10	1.53	38.86	1.10	27.94
		A								2.53	64.26		
		B								3.53	89.66		
		C								4.53	115.06		
	04	STD.		0.31	7.92	0.50	12.70			1.20	30.48	1.53	38.86
		A										2.53	64.26
		B										3.53	89.66
		C										4.53	115.06
	05	STD.		0.44	11.10	0.63	15.88			1.25	31.75	1.53	38.86
		A										2.53	64.26
		B										3.53	89.66
		C										4.53	115.06
	06	STD.		0.56	14.27	0.75	19.05			1.40	35.56	1.53	38.86
		A										2.53	64.26
		B										3.53	89.66
		C										4.53	115.06
	07	STD.		0.69	17.45	0.88	22.23			1.50	38.10	1.53	38.86
		A										2.53	64.26
		B										3.53	89.66
		C										4.53	115.06
	08	STD.		0.81	20.62	1.00	25.40			1.65	41.91	1.53	38.86
		A										2.53	64.26
		B										3.53	89.66
		C										4.53	115.06

Table Continued

Connector Group - L

Straight

TABLE - A																	
MIL PART NUMBER DESIGNATOR			CONNECTOR SHELL SIZE/CODE (REF.)	CABLE RANGE				A DIA. (MAX)		L (MAX)		Y (MAX)					
CONNECTOR SHELL SIZE	CLAMP SIZE	LENGTH		MIN		MAX		INCH	MM	INCH	MM	INCH	MM				
				INCH	MM	INCH	MM										
23	03	STD.	23 / H	0.25	6.35	0.38	9.53	1.65	41.91	1.53	38.86	1.10	27.94				
		A								2.53	64.26						
		B								3.53	89.66						
	04	STD.		0.31	7.92	0.50	12.70			1.53	38.86	1.20	30.48				
		A								2.53	64.26						
		B								3.53	89.66						
	05	STD.		0.44	11.10	0.63	15.88			1.53	38.86	1.25	31.75				
		A								2.53	64.26						
		B								3.53	89.66						
	06	STD.		0.56	14.27	0.75	19.05			1.53	38.86	1.40	35.56				
		A								2.53	64.26						
		B								3.53	89.66						
	07	STD.		0.69	17.45	0.88	22.23			1.53	38.86	1.50	38.10				
		A								2.53	64.26						
		B								3.53	89.66						
	08	STD.		0.81	20.62	1.00	25.40			1.53	38.86	1.65	41.91				
		A								2.53	64.26						
		B								3.53	89.66						
	09	STD.		0.94	23.80	1.13	28.58			1.53	38.86	1.75	44.45				
		A								2.53	64.26						
		B								3.53	89.66						
	25	04		STD.	25 / J	0.31	7.92			0.50	12.70	1.75	44.45	1.53	38.86	1.20	30.48
				A										2.53	64.26		
				B										3.53	89.66		
05		STD.	0.44	11.10		0.63	15.88	1.53	38.86	1.25	31.75						
		A						2.53	64.26								
		B						3.53	89.66								
06		STD.	0.56	14.27		0.75	19.05	1.53	38.86	1.40	35.56						
		A						2.53	64.26								
		B						3.53	89.66								
07		STD.	0.69	17.45		0.88	22.23	1.53	38.86	1.50	38.10						
		A						2.53	64.26								
		B						3.53	89.66								
08		STD.	0.81	20.62		1.00	25.40	1.53	38.86	1.65	41.91						
		A						2.53	64.26								
		B						3.53	89.66								
09		STD.	0.94	23.80		1.13	28.58	1.53	38.86	1.75	44.45						
		A						2.53	64.26								
		B						3.53	89.66								
10		STD.	1.06	26.97		1.25	31.75	1.53	38.86	1.90	48.26						
		A						2.53	64.26								
		B						3.53	89.66								

# ENVIRONMENTAL EMI / RFI BACKSHELL



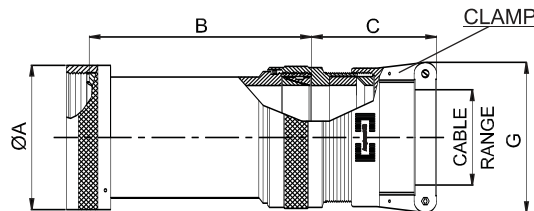
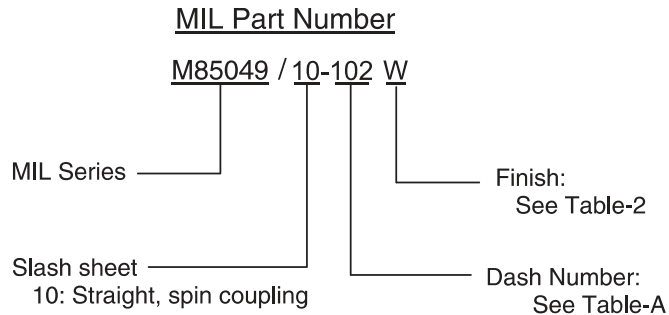
Both individual and overall shieldings can be terminated in this type in addition to the cable sealing as possible in the Environmental Backshell. It is an ideal choice for heavy duty cabling solutions in harsh environment situations where electromagnetic and radio frequency noises are to be isolated.

For Connector Group	Page No.
J →	IV-1 - IV-8
K →	IV-9 - IV-13
L →	IV-14 - IV-19

**Note:** For Connector group Identification refer Table 1 - A, B, C, D (Page 7-11) and for Material / Plating Finish, Refer Table-2 (Page 12)

Connector Group - J

Straight



**NOTE:** \* For more cable entry and length options, contact factory

TABLE - A														
MIL PART NUMBER DESIGNATOR		CONNECTOR SHELL SIZE	A DIA. (MAX)		B (MAX)		C (REF)		G (MAX)		CABLE RANGE			
SHELL SIZE	DASH NO		INCH	MM	INCH	MM	INCH	MM	INCH	MM	MIN		MAX	
											INCH	MM	INCH	MM
08	05	8	0.62	15.67	2.13	54.10	1.54	39.22	0.96	24.31	0.13	3.18	0.25	6.35
	06		0.62	15.67	3.13	79.50	1.54	39.22	0.96	24.31	0.13	3.18	0.25	6.35
	07*		0.62	15.67	2.88	73.15	1.54	39.22	1.15	29.08	0.25	6.35	0.44	11.10
	08*		0.62	15.67	3.88	98.55	1.54	39.22	1.15	29.08	0.25	6.35	0.44	11.10
10	09	10	0.73	18.64	2.13	54.10	1.54	39.22	0.96	24.31	0.13	3.18	0.31	7.92
	10		0.73	18.64	3.13	79.50	1.54	39.22	0.96	24.31	0.13	3.18	0.31	7.92
	11*		0.73	18.64	2.88	73.15	1.54	39.22	1.15	29.08	0.25	6.35	0.44	11.10
	12*		0.73	18.64	3.88	98.55	1.54	39.22	1.15	29.08	0.25	6.35	0.44	11.10
	136		0.73	18.64	2.13	54.10	1.54	39.22	1.15	29.08	0.25	6.35	0.38	9.53
12	137	7/12	0.73	18.64	3.13	79.50	1.54	39.22	1.15	29.08	0.25	6.35	0.38	9.53
	13		0.86	21.79	2.13	54.10	1.54	39.22	1.15	29.08	0.25	6.35	0.44	11.10
	14		0.86	21.79	3.13	79.50	1.54	39.22	1.15	29.08	0.25	6.35	0.44	11.10
	15*		0.86	21.79	2.88	73.15	1.84	46.84	1.33	33.83	0.35	8.89	0.63	15.88
	16*		0.86	21.79	3.88	98.55	1.84	46.84	1.33	33.83	0.35	8.89	0.63	15.88
	111		0.86	21.79	2.13	54.10	1.84	46.84	1.33	33.83	0.35	8.89	0.50	12.70
	114		0.86	21.79	2.13	54.10	1.54	39.22	0.96	24.31	0.13	3.18	0.31	7.92
	115		0.86	21.79	3.13	79.50	1.54	39.22	0.96	24.31	0.13	3.18	0.31	7.92
138	0.86	21.79	2.13	54.10	1.84	46.84	1.33	33.83	0.35	8.89	0.50	12.70		
139	0.86	21.79	3.13	79.50	1.84	46.84	1.33	33.83	0.35	8.89	0.50	12.70		

Table Continued

### Connector Group - J

Straight

TABLE - A														
MIL PART NUMBER DESIGNATOR		CONNECTOR SHELL SIZE	A DIA. (MAX)		B (MAX)		C (REF)		G (MAX)		CABLE RANGE			
SHELL SIZE	DASH NO		INCH	MM	INCH	MM	INCH	MM	INCH	MM	MIN		MAX	
											INCH	MM	INCH	MM
14	17	12/14	0.98	24.99	2.13	54.10	1.84	46.84	1.33	33.83	0.35	8.89	0.58	14.61
	18		0.98	24.99	3.13	79.50	1.84	46.84	1.33	33.83	0.35	8.89	0.58	14.61
	19*		0.98	24.99	2.88	73.15	1.92	48.67	1.55	39.40	0.50	12.70	0.75	19.05
	20*		0.98	24.99	3.88	98.55	1.92	48.67	1.55	39.40	0.50	12.70	0.75	19.05
	116		0.98	24.99	2.13	54.10	1.54	39.22	1.15	29.08	0.25	6.35	0.44	11.10
	117		0.98	24.99	3.13	79.50	1.54	39.22	1.15	29.08	0.25	6.35	0.44	11.10
	150		0.98	24.99	2.13	54.10	1.54	39.22	0.96	24.31	0.13	3.18	0.31	7.92
	151		0.98	24.99	3.13	79.50	1.54	39.22	0.96	24.31	0.13	3.18	0.31	7.92
16	21	19/16	1.11	28.24	2.13	54.10	1.92	48.67	1.55	39.40	0.50	12.70	0.70	17.78
	22		1.11	28.24	3.13	79.50	1.92	48.67	1.55	39.40	0.50	12.70	0.70	17.78
	23*		1.11	28.24	2.88	73.15	2.00	50.80	1.77	44.96	0.63	15.88	0.94	23.80
	24*		1.11	28.24	3.88	98.55	2.00	50.80	1.77	44.96	0.63	15.88	0.94	23.80
	112		1.11	28.24	2.13	54.10	1.54	39.22	1.15	29.08	0.25	6.35	0.44	11.10
	113		1.11	28.24	3.13	79.50	1.54	39.22	1.15	29.08	0.25	6.35	0.44	11.10
	118		1.11	28.24	2.13	54.10	1.84	46.84	1.33	33.83	0.35	8.89	0.63	15.88
	119		1.11	28.24	3.13	79.50	1.84	46.84	1.33	33.83	0.35	8.89	0.63	15.88
	152		1.11	28.24	2.13	54.10	1.54	39.22	0.96	24.31	0.13	3.18	0.31	7.92
	153		1.11	28.24	3.13	79.50	1.54	39.22	0.96	24.31	0.13	3.18	0.31	7.92
18	25	27/18	1.22	30.94	2.13	54.10	1.84	46.84	1.33	33.83	0.35	8.89	0.63	15.88
	26		1.22	30.94	3.13	79.50	1.84	46.84	1.33	33.83	0.35	8.89	0.63	15.88
	27		1.22	30.94	2.13	54.10	1.92	48.67	1.55	39.40	0.50	12.70	0.75	19.05
	28		1.22	30.94	3.13	79.50	1.92	48.67	1.55	39.40	0.50	12.70	0.75	19.05
	29*		1.22	30.94	2.88	73.15	2.00	50.80	1.77	44.96	0.63	15.88	0.94	23.80
	30*		1.22	30.94	3.88	98.55	2.00	50.80	1.77	44.96	0.63	15.88	0.94	23.80
	120		1.22	30.94	2.13	54.10	1.54	39.22	0.96	24.31	0.13	3.18	0.31	7.92
	121		1.22	30.94	3.13	79.50	1.54	39.22	0.96	24.31	0.13	3.18	0.31	7.92
	122		1.22	30.94	2.13	54.10	1.54	39.22	1.15	29.08	0.25	6.35	0.44	11.10
	123		1.22	30.94	3.13	79.50	1.54	39.22	1.15	29.08	0.25	6.35	0.44	11.10
20	31	37/20	1.35	34.16	3.13	79.50	1.84	46.84	1.33	33.83	0.35	8.89	0.63	15.88
	32		1.35	34.16	4.13	104.90	1.84	46.84	1.33	33.83	0.35	8.89	0.63	15.88
	33		1.35	34.16	3.13	79.50	1.92	48.67	1.55	39.40	0.50	12.70	0.75	19.05
	34		1.35	34.16	4.13	104.90	1.92	48.67	1.55	39.40	0.50	12.70	0.75	19.05
	35*		1.35	34.16	3.88	98.55	2.00	50.80	1.77	44.96	0.63	15.88	0.94	23.80
	36*		1.35	34.16	4.88	123.95	2.00	50.80	1.77	44.96	0.63	15.88	0.94	23.80
	37*		1.35	34.16	3.88	98.55	2.23	56.64	2.11	53.67	0.88	22.23	1.25	31.75
	38*		1.35	34.16	4.88	123.95	2.23	56.64	2.11	53.67	0.88	22.23	1.25	31.75
	124		1.35	34.16	3.13	79.50	1.54	39.22	1.15	29.08	0.25	6.35	0.44	11.10
	125		1.35	34.16	4.13	104.90	1.54	39.22	1.15	29.08	0.25	6.35	0.44	11.10
	140		1.35	34.16	3.13	79.50	2.00	50.80	1.77	44.96	0.63	15.88	0.90	22.96
141	1.35	34.16	4.13	104.90	2.00	50.80	1.77	44.96	0.63	15.88	0.90	22.96		
22	39	22	1.47	37.29	3.13	79.50	1.84	46.84	1.33	33.83	0.35	8.89	0.63	15.88
	40		1.47	37.29	4.13	104.90	1.84	46.84	1.33	33.83	0.35	8.89	0.63	15.88
	41		1.47	37.29	3.13	79.50	1.92	48.67	1.55	39.40	0.50	12.70	0.75	19.05
	42		1.47	37.29	4.13	104.90	1.92	48.67	1.55	39.40	0.50	12.70	0.75	19.05
	43		1.47	37.29	3.13	79.50	2.00	50.80	1.77	44.96	0.63	15.88	0.94	23.80
	44		1.47	37.29	4.13	104.90	2.00	50.80	1.77	44.96	0.63	15.88	0.94	23.80
	45*		1.47	37.29	3.88	98.55	2.23	56.64	2.11	53.67	0.88	22.23	1.25	31.75
	46*		1.47	37.29	4.88	123.95	2.23	56.64	2.11	53.67	0.88	22.23	1.25	31.75
	126		1.47	37.29	3.13	79.50	1.54	39.22	0.96	24.31	0.13	3.18	0.31	7.92
	127		1.47	37.29	4.13	104.90	1.54	39.22	0.96	24.31	0.13	3.18	0.31	7.92
	128		1.47	37.29	3.13	79.50	1.54	39.22	1.15	29.08	0.25	6.35	0.44	11.10
	129		1.47	37.29	4.13	104.90	1.54	39.22	1.15	29.08	0.25	6.35	0.44	11.10
	142		1.47	37.29	3.13	79.50	2.23	56.64	2.11	53.67	0.88	22.23	1.03	26.14
143	1.47	37.29	4.13	104.90	2.23	56.64	2.11	53.67	0.88	22.23	1.03	26.14		

Table Continued

Connector Group - J

Straight

MIL PART NUMBER DESIGNATOR		CONNECTOR SHELL SIZE	A DIA. (MAX)		B (MAX)		C (REF)		G (MAX)		CABLE RANGE			
SHELL SIZE	DASH NO		INCH	MM	INCH	MM	INCH	MM	INCH	MM	MIN		MAX	
											INCH	MM	INCH	MM
24	47	24	1.59	40.46	3.13	79.50	1.92	48.67	1.55	39.40	0.50	12.70	0.75	19.05
	48		1.59	40.46	4.13	104.90	1.92	48.67	1.55	39.40	0.50	12.70	0.75	19.05
	49		1.59	40.46	3.13	79.50	2.00	50.80	1.77	44.96	0.63	15.88	0.81	20.62
	50		1.59	40.46	4.13	104.90	2.00	50.80	1.77	44.96	0.63	15.88	0.81	20.62
	51		1.59	40.46	3.13	79.50	2.00	50.80	1.77	44.96	0.63	15.88	0.94	23.80
	52		1.59	40.46	4.13	104.90	2.00	50.80	1.77	44.96	0.63	15.88	0.94	23.80
	53*		1.59	40.46	3.88	98.55	2.23	56.64	2.11	53.67	0.88	22.23	1.25	31.75
	54*		1.59	40.46	4.88	123.95	2.23	56.64	2.11	53.67	0.88	22.23	1.25	31.75
	130		1.59	40.46	3.13	79.50	1.84	46.84	1.33	33.83	0.35	8.89	0.63	15.88
	131		1.59	40.46	4.13	104.90	1.84	46.84	1.33	33.83	0.35	8.89	0.63	15.88
	144		1.59	40.46	3.13	79.50	2.23	56.64	2.11	53.67	0.88	22.23	1.14	29.06
	145		1.59	40.46	4.13	104.90	2.23	56.64	2.11	53.67	0.88	22.23	1.14	29.06
	28		55	28	1.97	50.01	3.13	79.50	1.92	48.67	1.55	39.40	0.50	12.70
56		1.97	50.01		4.13	104.90	1.92	48.67	1.55	39.40	0.50	12.70	0.75	19.05
57		1.97	50.01		3.13	79.50	2.00	50.80	1.77	44.96	0.63	15.88	0.94	23.80
58		1.97	50.01		4.13	104.90	2.00	50.80	1.77	44.96	0.63	15.88	0.94	23.80
59		1.97	50.01		3.13	79.50	2.23	56.64	2.11	53.67	0.88	22.23	1.25	31.75
60		1.97	50.01		4.13	104.90	2.23	56.64	2.11	53.67	0.88	22.23	1.25	31.75
61		1.97	50.01		3.13	79.50	2.02	51.41	23.63	600.20	1.00	25.40	1.38	34.93
62	1.97	50.01	4.13	104.90	2.02	51.41	2.36	60.02	1.00	25.40	1.38	34.93		
32	63	32	2.22	56.36	3.13	79.50	2.00	50.80	1.77	44.96	0.63	15.88	0.94	23.80
	64		2.22	56.36	4.13	104.90	2.00	50.80	1.77	44.96	0.63	15.88	0.94	23.80
	65		2.22	56.36	3.13	79.50	2.23	56.64	2.11	53.67	0.88	22.23	12.50	317.50
	66		2.22	56.36	4.13	104.90	2.23	56.64	2.11	53.67	0.88	22.23	1.25	31.75
	67		2.22	56.36	3.13	79.50	2.02	51.41	2.36	60.02	1.00	25.40	1.38	34.93
	68		2.22	56.36	4.13	104.90	2.02	51.41	2.36	60.02	1.00	25.40	1.38	34.93
	69		2.22	56.36	3.13	79.50	2.55	64.77	2.77	70.36	1.25	31.75	1.63	41.28
	70		2.22	56.36	4.13	104.90	2.55	64.77	2.77	70.36	1.25	31.75	1.63	41.28
36	71	36	2.47	62.71	4.13	104.90	2.23	56.64	2.11	53.67	0.88	22.23	1.25	31.75
	72		2.47	62.71	5.13	130.30	2.23	56.64	2.11	53.67	0.88	22.23	1.25	31.75
	73		2.47	62.71	4.13	104.90	2.02	51.41	2.36	60.02	1.00	25.40	1.38	34.93
	74		2.47	62.71	5.13	130.30	2.02	51.41	2.36	60.02	1.00	25.40	1.38	34.93
	75		2.47	62.71	4.13	104.90	2.55	64.77	2.77	70.36	1.25	31.75	1.63	41.28
	76		2.47	62.71	5.13	130.30	2.55	64.77	2.77	70.36	1.25	31.75	1.63	41.28
	77*		2.47	62.71	5.01	127.25	2.60	66.04	3.02	76.71	1.44	36.50	1.88	47.63
	78*		2.47	62.71	6.01	152.65	2.60	66.04	3.02	76.71	1.44	36.50	1.88	47.63
	132		2.47	62.71	4.13	104.90	1.92	48.67	1.55	39.40	0.50	12.70	0.75	19.05
	133		2.47	62.71	5.13	130.30	1.92	48.67	1.55	39.40	0.50	12.70	0.75	19.05
	146		2.47	62.71	4.13	104.90	2.60	66.04	3.02	76.71	1.44	36.50	1.84	46.74
	147		2.47	62.71	5.13	130.30	2.60	66.04	3.02	76.71	1.44	36.50	1.84	46.74
	148		2.47	62.71	4.13	104.90	2.00	50.80	1.77	44.96	0.63	15.88	0.94	23.80
149	2.47	62.71	5.13	130.30	2.00	50.80	1.77	44.96	0.63	15.88	0.94	23.80		
40	79	40	2.72	69.06	4.13	104.90	2.23	56.64	2.11	53.67	0.88	22.23	1.25	31.75
	80		2.72	69.06	5.13	130.30	2.23	56.64	2.11	53.67	0.88	22.23	1.25	31.75
	81		2.72	69.06	4.13	104.90	2.02	51.41	2.36	60.02	1.00	25.40	1.38	34.93
	82		2.72	69.06	5.13	130.30	2.02	51.41	2.36	60.02	1.00	25.40	1.38	34.93
	83		2.72	69.06	4.13	104.90	2.55	64.77	2.77	70.36	1.25	31.75	1.63	41.28
	84		2.72	69.06	5.13	130.30	2.55	64.77	2.77	70.36	1.25	31.75	1.63	41.28
	85		2.72	69.06	4.13	104.90	2.60	66.04	3.02	76.71	1.44	36.50	1.88	47.63
	86		2.72	69.06	5.13	130.30	2.60	66.04	3.02	76.71	1.44	36.50	1.88	47.63
	134		2.72	69.06	4.13	104.90	1.92	48.67	1.55	39.40	0.50	12.70	0.75	19.05
	135		2.72	69.06	5.13	130.30	1.92	48.67	1.55	39.40	0.50	12.70	0.75	19.05
	156		2.72	69.06	4.13	104.90	2.00	50.80	1.77	44.96	0.63	15.88	0.94	23.80
	157		2.72	69.06	5.13	130.30	2.00	50.80	1.77	44.96	0.63	15.88	0.94	23.80

Table Continued

### Connector Group - J

Straight

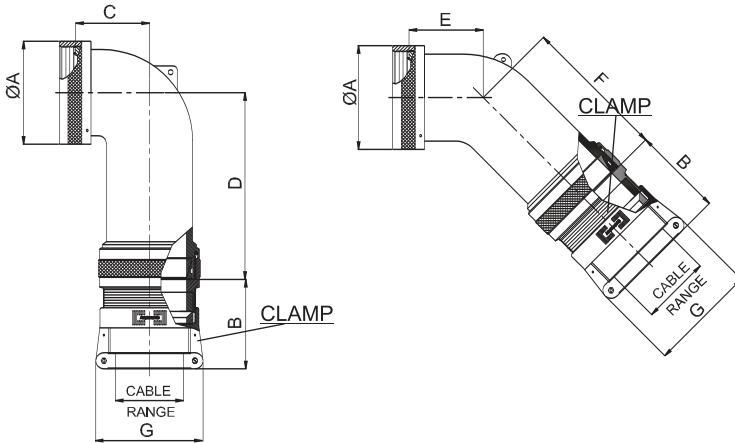
TABLE - A														
MIL PART NUMBER DESIGNATOR		CONNECTOR SHELL SIZE	A DIA. (MAX)		B (MAX)		C (REF)		G (MAX)		CABLE RANGE			
SHELL SIZE	DASH NO		INCH	MM	INCH	MM	INCH	MM	INCH	MM	MIN		MAX	
											INCH	MM	INCH	MM
44	87	44	2.97	75.41	4.13	104.90	2.23	56.64	2.11	53.67	0.88	22.23	1.25	31.75
	88		2.97	75.41	5.13	130.30	2.23	56.64	2.11	53.67	0.88	22.23	1.25	31.75
	89		2.97	75.41	4.13	104.90	2.02	51.41	2.36	60.02	1.00	25.40	1.38	34.93
	90		2.97	75.41	5.13	130.30	2.02	51.41	2.36	60.02	1.00	25.40	1.38	34.93
	91		2.97	75.41	4.13	104.90	2.55	64.77	2.77	70.36	1.25	31.75	1.63	41.28
	92		2.97	75.41	5.13	130.30	2.55	64.77	2.77	70.36	1.25	31.75	1.63	41.28
	93		2.97	75.41	4.13	104.90	2.60	66.04	3.02	76.71	1.44	36.50	1.88	47.63
	94		2.97	75.41	5.13	130.30	2.60	66.04	3.02	76.71	1.44	36.50	1.88	47.63
	154		2.97	75.41	4.13	104.90	2.00	50.80	1.77	44.96	0.63	15.88	0.94	23.80
155	2.97	75.41	5.13	130.30	2.00	50.80	1.77	44.96	0.63	15.88	0.94	23.80		
48	95	48	3.22	81.76	4.13	104.90	2.23	56.64	2.11	53.67	0.88	22.23	1.25	31.75
	96		3.22	81.76	5.13	130.30	2.23	56.64	2.11	53.67	0.88	22.23	1.25	31.75
	97		3.22	81.76	4.13	104.90	2.02	51.41	2.36	60.02	1.00	25.40	1.38	34.93
	98		3.22	81.76	5.13	130.30	2.02	51.41	2.36	60.02	1.00	25.40	1.38	34.93
	99		3.22	81.76	4.13	104.90	2.55	64.77	2.77	70.36	1.25	31.75	1.63	41.28
	100		3.22	81.76	5.13	130.30	2.55	64.77	2.77	70.36	1.25	31.75	1.63	41.28
	101		3.22	81.76	4.13	104.90	2.60	66.04	3.02	76.71	1.44	36.50	1.88	47.63
	102		3.22	81.76	5.13	130.30	2.60	66.04	3.02	76.71	1.44	36.50	1.88	47.63

(\* ) ---- DENOTES STYLE 2



Connector Group - J

90°, 45°



MIL Part Number

M85049 / 8-12 W

MIL Series

Slash sheet

8: 90deg, spin coupling  
6: 45deg, spin coupling

Finish:  
See Table-2

Dash Number:  
See Table-B

NOTE: \* For more cable entry options, contact factory

TABLE - B

MIL PART NUMBER DESIGNATOR		CONNECTOR SHELL SIZE	A DIA. (MAX)		B (REF)		C (MAX)		D (MAX)		E (MAX)		F (MAX)	
SHELL SIZE	DASH NO		INCH	MM	INCH	MM	INCH	MM	INCH	MM	INCH	MM	INCH	MM
08	3	8	0.62	15.67	1.54	39.22	0.67	17.02	1.26	32.00	0.63	16.00	1.25	31.75
10	4	10	0.73	18.64	1.54	39.22	0.76	19.30	1.98	50.29	0.69	17.53	1.92	48.77
	49*		0.73	18.64	1.54	39.22	1.52	38.61	2.00	50.80	1.50	38.10	1.98	50.29
	5		0.73	18.64	1.54	39.22	0.76	19.30	1.38	35.05	0.69	17.53	1.31	33.27
12	6	7/12	0.86	21.79	1.54	39.22	0.77	19.56	2.00	50.80	0.75	19.05	1.98	50.29
	71*		0.86	21.79	1.84	46.84	1.81	45.97	2.16	54.86	1.65	41.91	2.18	55.37
	7		0.86	21.79	1.54	39.22	0.77	19.56	2.00	50.80	0.75	19.05	1.98	50.29
	8		0.86	21.79	1.84	46.84	0.77	19.56	1.40	35.56	0.75	19.05	1.98	50.29
14	9	12/14	0.98	24.99	1.54	39.22	0.87	22.10	2.07	52.58	0.81	20.57	2.07	52.58
	10		0.98	24.99	1.84	46.84	0.87	22.10	1.72	43.69	0.81	20.57	1.72	43.69
	50*		0.98	24.99	1.92	48.67	1.89	48.01	2.33	59.18	1.84	46.74	2.37	60.20
	74		0.98	24.99	1.54	39.22	0.87	22.10	2.07	52.58	0.81	20.57	2.07	52.58
16	11	19/16	1.11	28.24	1.54	39.22	1.05	26.67	2.16	54.86	0.91	23.11	2.18	55.37
	12		1.11	28.24	1.92	48.67	1.05	26.67	1.81	45.97	0.91	23.11	1.82	46.23
	40		1.11	28.24	1.84	46.84	1.05	26.67	2.16	54.86	0.91	23.11	2.18	55.37
	51*		1.11	28.24	2.00	50.80	2.04	51.82	2.44	61.98	1.94	49.28	2.52	64.01
	75		1.11	28.24	1.54	39.22	1.05	26.67	2.16	54.86	0.91	23.11	2.18	55.37
18	13	27/18	1.22	30.94	1.84	46.84	1.14	28.96	2.33	59.18	1.09	27.69	2.37	60.20
	14		1.22	30.94	2.00	50.80	1.14	28.96	1.98	50.29	1.09	27.69	2.00	50.80
	41		1.22	30.94	1.54	39.22	1.14	28.96	2.33	59.18	1.09	27.69	2.37	60.20
	42		1.22	30.94	1.54	39.22	1.14	28.96	2.33	59.18	1.09	27.69	2.37	60.20
	52		1.22	30.94	1.92	48.67	1.14	28.96	2.33	59.18	1.09	27.69	2.37	60.20
	72*		1.22	30.94	2.00	50.80	2.05	52.07	2.44	61.98	1.94	49.28	2.52	64.01

Table Continued

### Connector Group - J

90°, 45°

MIL PART NUMBER DESIGNATOR		CONNECTOR SHELL SIZE	TABLE - B													
SHELL SIZE	DASH NO		A DIA. (MAX)		B (REF)		C (MAX)		D (MAX)		E (MAX)		F (MAX)			
			INCH	MM	INCH	MM	INCH	MM	INCH	MM	INCH	MM	INCH	MM		
20	15	37/20	1.35	34.16	1.84	46.84	1.14	28.96	2.33	59.18	1.09	27.69	2.37	60.20		
			1.35	34.16	2.00	50.80	1.14	28.96	1.98	50.29	1.09	27.69	2.00	50.80		
	43		1.35	34.16	1.54	39.22	1.14	28.96	2.33	59.18	1.09	27.69	2.37	60.20		
			1.35	34.16	1.92	48.67	1.14	28.96	2.33	59.18	1.09	27.69	2.37	60.20		
	55		1.35	34.16	2.23	56.64	2.14	54.36	2.61	66.29	2.06	52.32	2.57	65.28		
22	18	22	1.47	37.29	1.92	48.72	1.29	32.77	2.44	61.98	1.19	30.23	2.52	64.01		
			1.47	37.29	2.23	56.64	1.29	32.77	2.09	53.09	1.19	30.23	2.16	54.86		
	45		1.47	37.29	1.54	39.22	1.29	32.77	2.44	61.98	1.19	30.23	2.52	64.01		
			1.47	37.29	1.84	46.84	1.29	32.77	2.44	61.98	1.19	30.23	2.52	64.01		
	57		1.47	37.29	2.00	50.80	1.29	32.77	2.44	61.98	1.19	30.23	2.52	64.01		
			1.47	37.29	2.23	56.64	2.14	54.36	2.61	66.29	2.06	52.32	2.57	65.28		
24	19	24	1.59	40.46	1.92	48.67	1.29	32.77	2.44	61.98	1.19	30.23	2.52	64.01		
			1.59	40.46	2.23	56.64	1.29	32.77	2.09	53.09	1.19	30.23	2.16	54.86		
	46		1.59	40.46	1.84	46.84	1.29	32.77	2.44	61.98	1.19	30.23	2.52	64.01		
	73*		1.59	40.46	2.23	56.64	2.15	54.61	2.61	66.29	2.06	52.32	2.57	65.28		
28	22	28	1.97	50.01	2.00	50.80	1.39	35.31	2.61	66.29	1.31	33.27	2.57	65.28		
			1.97	50.01	2.02	51.41	1.39	35.31	2.26	57.40	1.31	33.27	2.22	56.39		
	61		1.97	50.01	1.92	48.67	1.39	35.31	2.61	66.29	1.31	33.27	2.57	65.28		
			1.97	50.01	2.23	56.64	1.39	35.31	2.61	66.29	1.31	33.27	2.57	65.28		
32	24	32	2.22	56.36	2.00	50.80	1.74	44.20	2.86	72.64	1.38	35.05	2.67	67.82		
			2.22	56.36	2.23	56.64	1.74	44.20	2.86	72.64	1.38	35.05	2.67	67.82		
	62		2.22	56.36	2.55	64.77	1.74	44.20	2.51	63.75	1.38	35.05	2.32	58.93		
			2.22	56.36	2.02	51.41	1.74	44.20	2.86	72.64	1.38	35.05	2.67	67.82		
36	27	36	2.47	62.71	2.00	50.80	1.94	49.28	2.83	71.88	1.41	35.81	2.76	70.10		
			2.47	62.71	2.02	51.41	1.94	49.28	2.83	71.88	1.41	35.81	2.76	70.10		
	47		2.47	62.71	2.60	66.04	1.94	49.28	2.48	62.99	1.41	35.81	2.41	61.21		
			2.47	62.71	1.92	48.67	1.94	49.28	2.83	71.88	1.41	35.81	2.76	70.10		
	64		2.47	62.71	2.23	56.64	1.94	49.28	2.83	71.88	1.41	35.81	2.76	70.10		
40	30	40	2.72	69.06	2.00	50.80	2.69	68.33	2.83	71.88	2.16	54.86	2.76	70.10		
			2.72	69.06	2.02	51.41	2.69	68.33	2.83	71.88	2.16	54.86	2.76	70.10		
	48		2.72	69.06	2.60	66.04	2.69	68.33	2.48	62.99	2.16	54.86	2.41	61.21		
			2.72	69.06	1.92	48.67	1.94	49.28	2.83	71.88	2.16	54.86	2.76	70.10		
	66		2.72	69.06	2.23	56.64	2.69	68.33	2.83	71.88	2.16	54.86	2.76	70.10		
44	33	44	2.97	75.41	2.00	50.80	2.69	68.33	2.83	71.88	2.16	54.86	2.76	70.10		
			2.97	75.41	2.02	51.41	2.69	68.33	2.83	71.88	2.16	54.86	2.76	70.10		
	67		2.97	75.41	2.60	66.04	2.69	68.33	2.48	62.99	2.16	54.86	2.41	61.21		
			2.97	75.41	2.23	56.64	2.69	68.33	2.83	71.88	2.16	54.86	2.76	70.10		
48	35	48	3.22	81.76	2.00	50.80	2.69	68.33	2.83	71.88	2.16	54.86	2.76	70.10		
			3.22	81.76	2.02	51.41	2.69	68.33	2.83	71.88	2.16	54.86	2.76	70.10		
	70		3.22	81.76	2.60	66.04	2.69	68.33	2.48	62.99	2.16	54.86	2.41	61.21		
			3.22	81.76	2.23	56.64	2.69	68.33	2.83	71.88	2.16	54.86	2.76	70.10		

(\* ) ---- DENOTES STYLE 2

Table Continued

Connector Group - J

90°, 45°

MIL PART NUMBER DESIGNATOR		CONNECTOR SHELL SIZE	G (MAX)		CABLE RANGE			
SHELL SIZE	DASH NO		INCH	MM	MIN		MAX	
					INCH	MM	INCH	MM
08	3	8	0.96	24.31	0.13	3.18	0.25	6.35
10	4	10	0.96	24.31	0.13	3.18	0.31	7.92
	49*		1.15	29.08	0.25	6.35	0.44	11.10
	5		1.15	29.08	0.25	6.35	0.38	9.53
12	6	7/12	0.96	24.31	0.13	3.18	0.31	7.92
	71*		1.33	33.83	0.35	8.89	0.63	15.88
	7		1.15	29.08	0.25	6.35	0.44	11.10
	8		1.33	33.83	0.35	8.89	0.50	12.70
14	9	12/14	1.15	29.08	0.25	6.35	0.44	11.10
	10		1.33	33.83	0.35	8.89	0.58	14.61
	50*		1.55	39.40	0.50	12.70	0.75	19.05
	74		0.96	24.31	0.13	3.18	0.31	7.92
16	11	19/16	1.15	29.08	0.25	6.35	0.44	11.10
	12		1.55	39.40	0.50	12.70	0.70	17.78
	40		1.33	33.83	0.35	8.89	0.63	15.88
	51*		1.77	44.96	0.63	15.88	0.94	23.80
18	75	27/18	0.96	24.31	0.13	3.18	0.31	7.92
	13		1.33	33.83	0.35	8.89	0.63	15.88
	14		1.77	44.96	0.63	15.88	0.78	19.79
	41		0.96	24.31	0.13	3.18	0.31	7.92
	42		1.15	29.08	0.25	6.35	0.44	11.10
20	52	37/20	1.55	39.40	0.50	12.70	0.75	19.05
	72*		1.77	44.96	0.63	15.88	0.94	23.80
	15		1.33	33.83	0.35	8.89	0.63	15.88
	16		1.77	44.96	0.63	15.88	0.90	22.96
	43		1.15	29.08	0.25	6.35	0.44	11.10
22	54	22	1.55	39.40	0.50	12.70	0.75	19.05
	55		2.11	53.67	0.88	22.23	1.25	31.75
	17		1.55	39.40	0.50	12.70	0.75	19.05
	18		2.11	53.67	0.88	22.23	1.03	26.14
	44		0.96	24.31	0.13	3.18	0.31	7.92
	45		1.15	29.08	0.25	6.35	0.44	11.10
24	56	24	1.33	33.83	0.35	8.89	0.63	15.88
	57		1.77	44.96	0.63	15.88	0.94	23.80
	58*		2.11	53.67	0.88	22.23	1.25	31.75
	19		1.55	39.40	0.50	12.70	0.75	19.05
	20		2.11	53.67	0.88	22.23	1.14	29.06
28	46	28	1.33	33.83	0.35	8.89	0.63	15.88
	59		1.77	44.96	0.63	15.88	0.94	23.80
	73*		2.12	53.75	0.88	22.23	1.25	31.75
	21		1.77	44.96	0.63	15.88	0.94	23.80
32	22	32	2.36	60.02	1.00	25.40	1.38	34.93
	60		1.55	39.40	0.50	12.70	0.75	19.05
	61		2.11	53.67	0.88	22.23	1.25	31.75
	23		1.77	44.96	0.63	15.88	0.94	23.80
32	24	32	2.11	53.67	0.88	22.23	1.25	31.75
	25		2.77	70.36	1.25	31.75	1.63	41.28
	62		2.36	60.02	1.00	25.40	1.38	34.93

Table Continued

### Connector Group - J

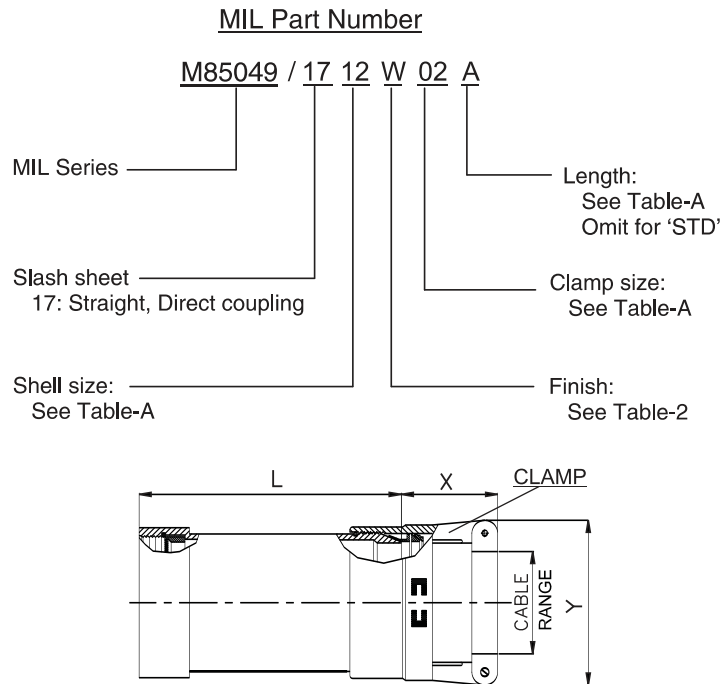
90°, 45°

TABLE - B								
MIL PART NUMBER DESIGNATOR		CONNECTOR SHELL SIZE	G (MAX)		CABLE RANGE			
SHELL SIZE	DASH NO		INCH	MM	MIN		MAX	
					INCH	MM	INCH	MM
36	26	36	1.77	44.96	0.63	15.88	0.94	23.80
	27		2.36	60.02	1.00	25.40	1.38	34.93
	28		3.02	76.71	1.44	36.50	1.84	46.74
	47		1.55	39.40	0.50	12.70	0.75	19.05
	63		2.11	53.67	0.88	22.23	1.25	31.75
	64		2.77	70.36	1.25	31.75	1.63	41.28
40	29	40	1.77	44.96	0.63	15.88	0.94	23.80
	30		2.36	60.02	1.00	25.40	1.38	34.93
	31		3.02	76.71	1.44	36.50	1.88	47.63
	48		1.55	39.40	0.50	12.70	0.75	19.05
	65		2.11	53.67	0.88	22.23	1.25	31.75
	66		2.77	70.36	1.25	31.75	1.63	41.28
44	32	44	1.77	44.96	0.63	15.88	0.94	23.80
	33		2.36	60.02	1.00	25.40	1.38	34.93
	34		3.02	76.71	1.44	36.50	1.88	47.63
	67		2.11	53.67	0.88	22.23	1.25	31.75
	68		2.77	70.36	1.25	31.75	1.63	41.28
48	35	48	1.77	44.96	0.63	15.88	0.94	23.80
	36		2.36	60.02	1.00	25.40	1.38	34.93
	37		3.02	76.71	1.44	36.50	1.88	47.63
	69		2.11	53.67	0.88	22.23	1.25	31.75
	70		2.77	70.36	1.25	31.75	1.63	41.28

( \* ) ---- DENOTES STYLE 2

Connector Group - K

Straight



**NOTE:** \* For more cable entry and length options, contact factory

MIL PART NUMBER DESIGNATOR		CONNECTOR SHELL SIZE SE - II / I	LENGTH	CABLE RANGE				L (MAX)		X (MAX)		Y (MAX)	
ACCESSORY SHELL SIZE	CLAMP SIZE			MIN		MAX		INCH	MM	INCH	MM	INCH	MM
				INCH	MM	INCH	MM						
08	01	8 / 9	STD.	0.06	1.57	0.13	3.18	1.53	38.86	1.25	31.75	0.78	19.81
	A						2.53	64.26					
	02		STD.	0.13	3.18	0.25	6.35	1.53	38.86	1.25	31.75	0.97	24.64
	A						2.53	64.26					
10	01	10 / 11	STD.	0.06	1.57	0.13	3.18	1.53	38.86	1.25	31.75	0.78	19.81
	A						2.53	64.26					
	02		STD.	0.13	3.18	0.25	6.35	1.53	38.86	1.25	31.75	0.97	24.64
	03		A	0.25	6.35	0.38	9.53	1.53	38.86	1.25	31.75	1.06	26.92
	A						2.53	64.26					
	04		STD.	0.38	9.53	0.50	12.70	1.53	38.86	1.25	31.75	1.16	29.46
	02	12 / 13	A					2.53	64.26				
	A						1.53	38.86					
	A		0.25	6.35	0.38	9.53	1.53	38.86	1.25	31.75	1.06	26.92	
	03		A	0.38	9.53	0.50	12.70	1.53	38.86	1.25	31.75	1.16	29.46
	A						2.53	64.26					
	A						1.53	38.86					
14	02	14 / 15	STD.	0.13	3.18	0.25	6.35	1.53	38.86	1.25	31.75	0.97	24.64
			A					2.53	64.26				
	B						3.53	89.66					
	03		STD.	0.25	6.35	0.38	9.53	1.53	38.86	1.25	31.75	1.06	26.92
	A						2.53	64.26					
	B						3.53	89.66					
04	STD.	0.38	9.53	0.50	12.70	1.53	38.86	1.25	31.75	1.16	29.46		
	A					2.53	64.26						
	B					3.53	89.66						
05	STD.	0.50	12.70	0.63	15.88	1.53	38.86	1.31	33.27	1.25	31.75		
	A					2.53	64.26						
	B					3.53	89.66						

Table Continued

### Connector Group - K

### Straight

TABLE - A														
MIL PART NUMBER DESIGNATOR		CONNECTOR SHELL SIZE SE - II / I	LENGTH	CABLE RANGE				L (MAX)		X (MAX)		Y (MAX)		
ACCESSORY SHELL SIZE	CLAMP SIZE			MIN		MAX		INCH	MM	INCH	MM	INCH	MM	
				INCH	MM	INCH	MM							
16	02	16 / 17	STD.	0.13	3.18	0.25	6.35	1.53	38.86	1.25	31.75	0.97	24.64	
			A					2.53	64.26					
			B					3.53	89.66					
	03		03	STD.	0.25	6.35	0.38	9.53	1.53	38.86	1.25	31.75	1.06	26.92
				A					2.53	64.26				
				B					3.53	89.66				
	04		04	STD.	0.38	9.53	0.50	12.70	1.53	38.86	1.25	31.75	1.16	29.46
				A					2.53	64.26				
				B					3.53	89.66				
	05		05	STD.	0.50	12.70	0.63	15.88	1.53	38.86	1.31	33.27	1.25	31.75
				A					2.53	64.26				
				B					3.53	89.66				
06	06	STD.	0.63	15.88	0.75	19.05	1.53	38.86	1.38	35.05	1.38	35.05		
		A					2.53	64.26						
		B					3.53	89.66						
18	03	18 / 19	STD.	0.25	6.35	0.38	9.53	1.53	38.86	1.25	31.75	1.06	26.92	
			A					2.53	64.26					
			B					3.53	89.66					
	04		04	STD.	0.38	9.53	0.50	12.70	1.53	38.86	1.25	31.75	1.16	29.46
				A					2.53	64.26				
				B					3.53	89.66				
	05		05	STD.	0.50	12.70	0.63	15.88	1.53	38.86	1.31	33.27	1.25	31.75
				A					2.53	64.26				
				B					3.53	89.66				
	06		06	STD.	0.63	15.88	0.75	19.05	1.53	38.86	1.38	35.05	1.38	35.05
				A					2.53	64.26				
				B					3.53	89.66				
07	07	STD.	0.75	19.05	0.88	22.23	1.53	38.86	1.50	38.10	1.50	38.10		
		A					2.53	64.26						
		B					3.53	89.66						
20	03	20 / 21	STD.	0.25	6.35	0.38	9.53	1.53	38.86	1.25	31.75	1.06	26.92	
			A					2.53	64.26					
			B					3.53	89.66					
	04		04	C	0.38	9.53	0.50	12.70	4.53	115.06	1.25	31.75	1.16	29.46
				STD.					1.53	38.86				
				A					2.53	64.26				
	05		05	B	0.50	12.70	0.63	15.88	3.53	89.66	1.31	33.27	1.25	31.75
				C					4.53	115.06				
				STD.					1.53	38.86				
	06		06	A	0.63	15.88	0.75	19.05	2.53	64.26	1.38	35.05	1.38	35.05
				B					3.53	89.66				
				C					4.53	115.06				
	07		07	STD.	0.75	19.05	0.88	22.23	1.53	38.86	1.50	38.10	1.50	38.10
				A					2.53	64.26				
				B					3.53	89.66				
	08		08	C	0.88	22.23	1.00	25.40	4.53	115.06	1.63	41.40	1.63	41.40
				STD.					1.53	38.86				
				A					2.53	64.26				

Table Continued

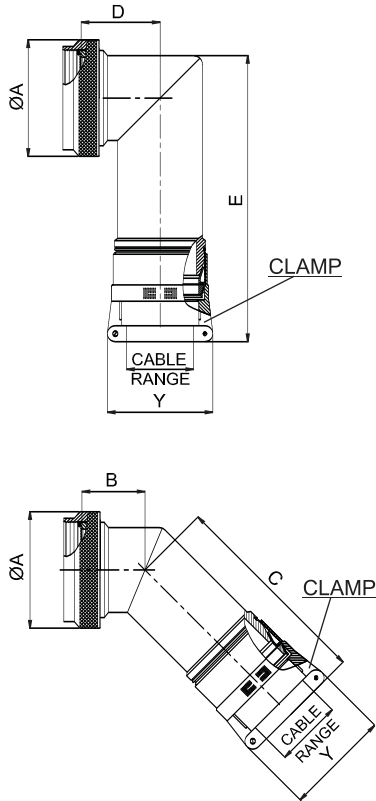
Connector Group - K

Straight

TABLE - A														
MIL PART NUMBER DESIGNATOR		CONNECTOR SHELL SIZE SE - II / I	LENGTH	CABLE RANGE				L (MAX)		X (MAX)		Y (MAX)		
ACCESSORY SHELL SIZE	CLAMP SIZE			MIN		MAX		INCH	MM	INCH	MM	INCH	MM	
				INCH	MM	INCH	MM							
22	03	22 / 23	STD.	0.25	6.35	0.38	9.53	1.53	38.86	1.25	31.75	1.06	26.92	
			A					2.53	64.26					
			B					3.53	89.66					
			C					4.53	115.06					
	04		04	STD.	0.38	9.53	0.50	12.70	1.53	38.86	1.25	31.75	1.16	29.46
				A					2.53	64.26				
				B					3.53	89.66				
				C					4.53	115.06				
	05		05	STD.	0.50	12.70	0.63	15.88	1.53	38.86	1.31	33.27	1.25	31.75
				A					2.53	64.26				
				B					3.53	89.66				
				C					4.53	115.06				
06	06	STD.	0.63	15.88	0.75	19.05	1.53	38.86	1.38	35.05	1.38	35.05		
		A					2.53	64.26						
		B					3.53	89.66						
		C					4.53	115.06						
22	07	22 / 23	STD.	0.75	19.05	0.88	22.23	1.53	38.86	1.50	38.10	1.50	38.10	
			A					2.53	64.26					
			B					3.53	89.66					
			C					4.53	115.06					
	08		08	STD.	0.88	22.23	1.00	25.40	1.53	38.86	1.63	41.40	1.63	41.40
				A					2.53	64.26				
				B					3.53	89.66				
				C					4.53	115.06				
	09		09	STD.	1.00	25.40	1.13	28.58	1.53	38.86	1.63	41.40	1.75	44.45
				A					2.53	64.26				
				B					3.53	89.66				
				C					4.53	115.06				
24	04	24 / 25	STD.	0.38	9.53	0.50	12.70	1.53	38.86	1.25	31.75	1.16	29.46	
			A					2.53	64.26					
			B					3.53	89.66					
			C					4.53	115.06					
	05		05	STD.	0.50	12.70	0.63	15.88	1.53	38.86	1.31	33.27	1.25	31.75
				A					2.53	64.26				
				B					3.53	89.66				
				C					4.53	115.06				
	06		06	STD.	0.63	15.88	0.75	19.05	1.53	38.86	1.38	35.05	1.38	35.05
				A					2.53	64.26				
				B					3.53	89.66				
				C					4.53	115.06				
	07		07	STD.	0.75	19.05	0.88	22.23	1.53	38.86	1.50	38.10	1.50	38.10
				A					2.53	64.26				
				B					3.53	89.66				
				C					4.53	115.06				
	08		08	STD.	0.88	22.23	1.00	25.40	1.53	38.86	1.63	41.40	1.63	41.40
				A					2.53	64.26				
				B					3.53	89.66				
				C					4.53	115.06				
	09		09	STD.	1.00	25.40	1.13	28.58	1.53	38.86	1.63	41.40	1.75	44.45
				A					2.53	64.26				
				B					3.53	89.66				
				C					4.53	115.06				
10	10	STD.	1.13	28.58	1.25	31.75	1.53	38.86	1.63	41.40	1.88	47.75		
		A					2.53	64.26						
		B					3.53	89.66						
		C					4.53	115.06						

### Connector Group - K

90°, 45°



MIL Part Number

M85049 / 76-10 W 03

MIL Series ———

Slash sheet ———  
76: 90deg, spin coupling  
77: 45deg, spin coupling

Shell size: ———  
See Table-B

CLAMP size:  
See Table-B  
Omit for 'STD'

Finish:  
See Table-2

**NOTE:** \* For more cable entry options, contact factory

**TABLE - B**

MIL PART NUMBER DESIGNATOR		CONNECTOR SHELL SIZE SE - II / I	CABLE RANGE				A DIA. (MAX)		B (MAX)		C (MAX)		D (MAX)		E (MAX)		Y (MAX)	
ACCESSORY SHELL SIZE	CLAMP SIZE		MIN		MAX		INCH	MM	INCH	MM	INCH	MM	INCH	MM	INCH	MM	INCH	MM
			INCH	MM	INCH	MM												
08	01	8 / 9	0.06	1.57	0.13	3.18	0.75	19.05	0.46	11.68	3.15	80.01	0.69	17.53	3.46	87.88	0.80	20.32
	02		0.13	3.18	0.25	6.35											1.00	25.40
10	01	10 / 11	0.06	1.57	0.13	3.18	0.85	21.59	0.52	13.21	3.21	81.53	0.78	19.81	3.58	90.93	0.80	20.32
	02		0.13	3.18	0.25	6.35											1.00	25.40
	03		0.25	6.35	0.38	9.53											1.10	27.94
12	02	12 / 13	0.13	3.18	0.25	6.35	1.00	25.40	0.58	14.73	3.27	83.06	0.80	20.32	3.60	91.44	1.00	25.40
	03		0.25	6.35	0.38	9.53											1.10	27.94
14	04	14 / 15	0.38	9.53	0.50	12.70	1.15	29.21	0.65	16.51	3.36	85.34	0.88	22.35	3.67	93.22	1.20	30.48
	02		0.13	3.18	0.25	6.35											1.00	25.40
	03		0.25	6.35	0.38	9.53											1.10	27.94
	05		0.50	12.70	0.63	15.88											1.25	31.75
16	02	16 / 17	0.13	3.18	0.25	6.35	1.25	31.75	0.74	18.80	3.47	88.14	0.93	23.62	3.76	95.50	1.00	25.40
	03		0.25	6.35	0.38	9.53											1.10	27.94
	04		0.38	9.53	0.50	12.70											1.20	30.48
	05		0.50	12.70	0.63	15.88											1.25	31.75
	06		0.63	15.88	0.75	19.05											1.40	35.56
18	03	18 / 19	0.25	6.35	0.38	9.53	1.40	35.56	0.93	23.62	3.66	92.96	1.01	25.65	3.93	99.82	1.10	27.94
	04		0.38	9.53	0.50	12.70											1.20	30.48
	05		0.50	12.70	0.63	15.88											1.25	31.75
	06		0.63	15.88	0.75	19.05											1.40	35.56
	07		0.75	19.05	0.88	22.23											1.50	38.10

Table Continued



Connector Group - K

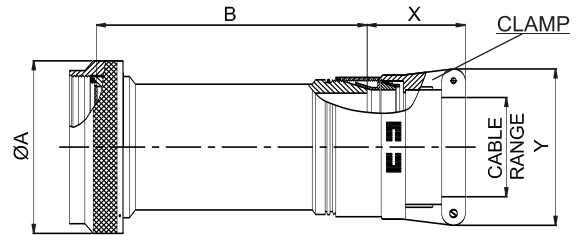
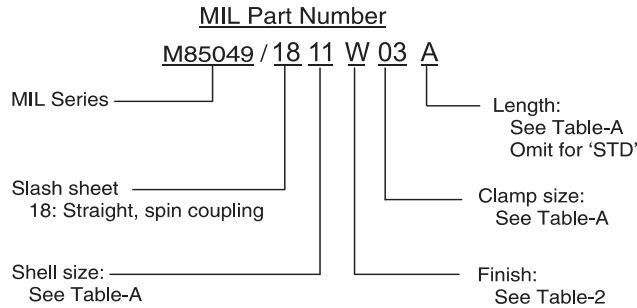
90°, 45°

TABLE - B

MIL PART NUMBER DESIGNATOR		CONNECTOR SHELL SIZE SE - II / I	CABLE RANGE				A DIA. (MAX)		B (MAX)		C (MAX)		D (MAX)		E (MAX)		Y (MAX)	
ACCESSORY SHELL SIZE	CLAMP SIZE		MIN		MAX		INCH	MM	INCH	MM	INCH	MM	INCH	MM	INCH	MM	INCH	MM
			INCH	MM	INCH	MM												
20	03	20 / 21	0.25	6.35	0.38	9.53	1.55	39.37	0.93	23.62	3.66	92.96	1.06	26.92	3.93	99.82	1.10	27.94
	04		0.38	9.53	0.50	12.70											1.20	30.48
	05		0.50	12.70	0.63	15.88											1.25	31.75
	06		0.63	15.88	0.75	19.05											1.40	35.56
	07		0.75	19.05	0.88	22.23											1.50	38.10
	08		0.88	22.23	1.00	25.40											1.65	41.91
22	03	22 / 23	0.25	6.35	0.38	9.53	1.65	41.91	1.02	25.91	3.81	96.77	1.17	29.72	4.04	102.62	1.10	27.94
	04		0.38	9.53	0.50	12.70											1.20	30.48
	05		0.50	12.70	0.63	15.88											1.25	31.75
	06		0.63	15.88	0.75	19.05											1.40	35.56
	07		0.75	19.05	0.88	22.23											1.50	38.10
	08		0.88	22.23	1.00	25.40											1.65	41.91
	19		1.00	25.40	1.13	28.58											1.75	44.45
24	04	24 / 25	0.38	9.53	0.50	12.70	1.85	46.99	1.02	25.91	3.81	96.77	1.18	29.97	4.04	102.62	1.20	30.48
	05		0.50	12.70	0.63	15.88											1.25	31.75
	06		0.63	15.88	0.75	19.05											1.40	35.56
	07		0.75	19.05	0.88	22.23											1.50	38.10
	08		0.88	22.23	1.00	25.40											1.65	41.91
	09		1.00	25.40	1.13	28.58											1.75	44.45
	10		1.13	28.58	1.25	31.75											1.90	48.26

### Connector Group - L

### Straight



**NOTE:** \* For more cable entry and length options, contact factory

TABLE - A															
MIL PART NUMBER DESIGNATOR			CONNECTOR SHELL SIZE/CODE (REF.)	CABLE RANGE				A DIA. (MAX)		B (MAX)		X (MAX)		Y (MAX)	
CONNECTOR SHELL SIZE	CLAMP SIZE	LENGTH		MIN		MAX		INCH	MM	INCH	MM	INCH	MM	INCH	MM
				INCH	MM	INCH	MM								
9	01	STD.	09 / A	0.06	1.57	0.13	3.18	0.75	19.05	1.53	38.86	1.25	31.75	0.80	20.32
		A		2.53	64.26										
	02	STD.		0.13	3.18	0.25	6.35			1.53	38.86				
		A		2.53	64.26										
11	01	STD.	11 / B	0.06	1.57	0.13	3.18	0.85	21.59	1.53	38.86	1.25	31.75	0.80	20.32
		A		2.53	64.26										
	02	STD.		0.13	3.18	0.25	6.35			1.53	38.86				
		A		2.53	64.26										
	03	STD.		0.25	6.35	0.38	9.53			1.53	38.86				
		A		2.53	64.26										
13	02	STD.	13 / C	0.13	3.18	0.25	6.35	1.00	25.40	1.53	38.86	1.25	31.75	1.00	25.40
		A		2.53	64.26										
	03	STD.		0.25	6.35	0.38	9.53			1.53	38.86				
		A		2.53	64.26										
15	02	STD.	15 / D	0.13	3.18	0.25	6.35	1.15	29.21	1.53	38.86	1.25	31.75	1.00	25.40
		A								2.53	64.26				
		B								3.53	89.66				
	03	STD.		0.25	6.35	0.38	9.53			1.53	38.86				
		A								2.53	64.26				
		B								3.53	89.66				
	04	STD.		0.38	9.53	0.50	12.70			1.53	38.86				
		A								2.53	64.26				
		B								3.53	89.66				
		1.53								38.86					
05	STD.	0.50	12.70	0.63	15.88	2.53	64.26								
	A					1.31	33.27								
	B					3.53	89.66								
17	02	STD.	17 / E	0.13	3.18	0.25	6.35	1.25	31.75	1.53	38.86	1.25	31.75	1.00	25.40
		A								2.53	64.26				
		B								3.53	89.66				
	03	STD.		0.25	6.35	0.38	9.53			1.53	38.86				
		A								2.53	64.26				
		B								3.53	89.66				
	04	STD.		0.38	9.53	0.50	12.70			1.53	38.86				
		A								2.53	64.26				
		B								3.53	89.66				
	05	STD.		0.50	12.70	0.63	15.88			1.53	38.86				
		A								2.53	64.26				
		B								3.53	89.66				
1.53		38.86													
2.53		64.26													
3.53		89.66													
06	STD.	0.63	15.88	0.75	19.05	1.53	38.86								
	A					2.53	64.26								
	B					3.53	89.66								
	1.53					38.86									
	2.53					64.26									
	3.53					89.66									

Table Continued

Connector Group - L

Straight

TABLE - A																			
MIL PART NUMBER DESIGNATOR			CONNECTOR SHELL SIZE/CODE (REF.)	CABLE RANGE				A DIA. (MAX)		B (MAX)		X (MAX)		Y (MAX)					
CONNECTOR SHELL SIZE	CLAMP SIZE	LENGTH		MIN		MAX		INCH	MM	INCH	MM	INCH	MM	INCH	MM				
				INCH	MM	INCH	MM												
19	03	STD.	19 / F	0.25	6.35	0.38	9.53	1.40	35.56	1.53	38.86	1.25	31.75	1.10	27.94				
		A								2.53	64.26								
		B								3.53	89.66								
	04	STD.		0.38	9.53	0.50	12.70			1.25	31.75	1.20	30.48	1.53	38.86	1.31	33.27	1.25	31.75
		A												2.53	64.26				
		B												3.53	89.66				
	05	STD.		0.50	12.70	0.63	15.88			1.38	35.05	1.40	35.56	1.53	38.86	1.50	38.10	1.50	38.10
		A												2.53	64.26				
		B												3.53	89.66				
	06	STD.		0.63	15.88	0.75	19.05			1.50	38.10	1.50	38.10	1.53	38.86	1.63	41.40	1.65	41.91
		A												2.53	64.26				
		B												3.53	89.66				
07	STD.	0.75	19.05	0.88	22.23	1.63	41.40	1.65	41.91	1.53	38.86	1.75	44.45	1.75	44.45				
	A									2.53	64.26								
	B									3.53	89.66								
21	03	STD.	21 / G	0.25	6.35	0.38	9.53	1.55	39.37	1.53	38.86	1.25	31.75	1.10	27.94				
		A								2.53	64.26								
		B								3.53	89.66								
	04	STD.		0.38	9.53	0.50	12.70			1.25	31.75	1.20	30.48	4.53	115.06	1.31	33.27	1.25	31.75
		A												1.53	38.86				
		B												2.53	64.26				
	05	STD.		0.50	12.70	0.63	15.88			1.38	35.05	1.40	35.56	3.53	89.66	1.50	38.10	1.50	38.10
		A												1.53	38.86				
		B												2.53	64.26				
	06	STD.		0.63	15.88	0.75	19.05			1.50	38.10	1.50	38.10	4.53	115.06	1.63	41.40	1.65	41.91
		A												1.53	38.86				
		B												2.53	64.26				
	07	STD.		0.75	19.05	0.88	22.23			1.63	41.40	1.65	41.91	4.53	115.06	1.75	44.45	1.75	44.45
		A												1.53	38.86				
		B												2.53	64.26				
	08	STD.		0.88	22.23	1.00	25.40			1.75	44.45	1.75	44.45	4.53	115.06	1.88	47.75	1.88	47.75
		A												1.53	38.86				
		B												2.53	64.26				
09	STD.	1.00	25.40	1.13	28.58	1.88	47.75	1.88	47.75	4.53	115.06	2.00	50.80	2.00	50.80				
	A									1.53	38.86								
	B									2.53	64.26								
23	03	STD.	23 / H	0.25	6.35	0.38	9.53	1.65	41.91	1.53	38.86	1.25	31.75	1.10	27.94				
		A								2.53	64.26								
		B								3.53	89.66								
	04	STD.		0.38	9.53	0.50	12.70			1.25	31.75	1.20	30.48	4.53	115.06	1.31	33.27	1.25	31.75
		A												1.53	38.86				
		B												2.53	64.26				
	05	STD.		0.50	12.70	0.63	15.88			1.38	35.05	1.40	35.56	3.53	89.66	1.50	38.10	1.50	38.10
		A												1.53	38.86				
		B												2.53	64.26				
	06	STD.		0.63	15.88	0.75	19.05			1.50	38.10	1.50	38.10	4.53	115.06	1.63	41.40	1.65	41.91
		A												1.53	38.86				
		B												2.53	64.26				
	07	STD.		0.75	19.05	0.88	22.23			1.63	41.40	1.65	41.91	4.53	115.06	1.75	44.45	1.75	44.45
		A												1.53	38.86				
		B												2.53	64.26				
	08	STD.		0.88	22.23	1.00	25.40			1.75	44.45	1.75	44.45	4.53	115.06	1.88	47.75	1.88	47.75
		A												1.53	38.86				
		B												2.53	64.26				
09	STD.	1.00	25.40	1.13	28.58	1.88	47.75	1.88	47.75	4.53	115.06	2.00	50.80	2.00	50.80				
	A									1.53	38.86								
	B									2.53	64.26								

Table Continued

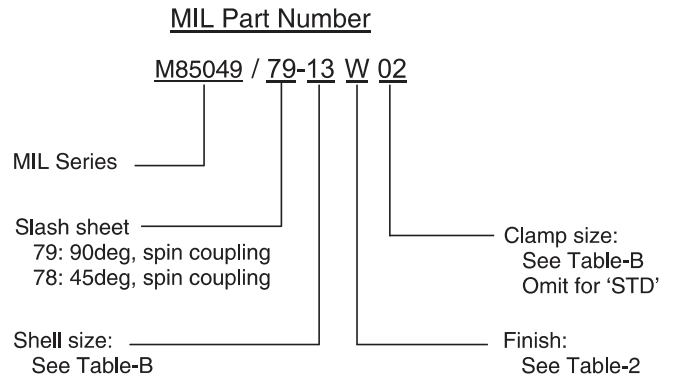
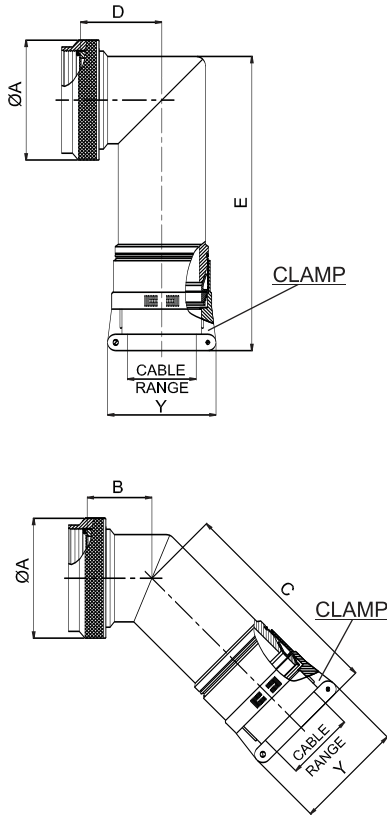
### Connector Group - L

### Straight

TABLE - A															
MIL PART NUMBER DESIGNATOR			CONNECTOR SHELL SIZE/CODE (REF.)	CABLE RANGE				A DIA. (MAX)		B (MAX)		X (MAX)		Y (MAX)	
CONNECTOR SHELL SIZE	CLAMP SIZE	LENGTH		MIN		MAX		INCH	MM	INCH	MM	INCH	MM	INCH	MM
				INCH	MM	INCH	MM								
25	4	STD.	25 / J	0.38	9.53	0.50	12.70	1.85	46.99	1.53	38.86	1.25	31.75	1.20	30.48
		A								2.53	64.26				
		B								3.53	89.66				
		C								4.53	115.06				
	5	STD.		0.50	12.70	0.63	15.88			1.53	38.86	1.31	33.27	1.25	31.75
		A		2.53	64.26										
		B		3.53	89.66										
		C		4.53	115.06										
	6	STD.		0.63	15.88	0.75	19.05			1.53	38.86	1.38	35.05	1.40	35.56
		A		2.53	64.26										
		B		3.53	89.66										
		C		4.53	115.06										
	7	STD.		0.75	19.05	0.88	22.23			1.53	38.86	1.50	38.10	1.50	38.10
		A		2.53	64.26										
		B		3.53	89.66										
		C		4.53	115.06										
	8	STD.		0.88	22.23	1.00	25.40			1.53	38.86	1.63	41.40	1.65	41.91
		A		2.53	64.26										
		B		3.53	89.66										
		C		4.53	115.06										
	9	STD.		1.00	25.40	1.13	28.58			1.53	38.86	1.63	41.40	1.75	44.45
		A		2.53	64.26										
		B		3.53	89.66										
		C		4.53	115.06										
10	STD.	1.13	28.58	1.25	31.75	1.53	38.86	1.63	41.40	1.90	48.26				
	A	2.53	64.26												
	B	3.53	89.66												
	C	4.53	115.06												

Connector Group - L

90°, 45°



NOTE: \* For more cable entry options, contact factory

TABLE - B														
MIL PART NUMBER DESIGNATOR		CONNECTOR SHELL SIZE/CODE (REF.)	CABLE RANGE				A DIA. (MAX)		B (MAX)		C (MAX)		D (MAX)	
CONNECTOR SHELL SIZE	CLAMP SIZE		MIN		MAX		INCH	MM	INCH	MM	INCH	MM	INCH	MM
			INCH	MM	INCH	MM								
09	01	09 / A	0.06	1.57	0.13	3.18	0.75	19.05	0.46	11.68	3.15	80.01	0.69	17.53
	02		0.13	3.18	0.25	6.35								
11	01	11 / B	0.06	1.57	0.13	3.18	0.85	21.59	0.52	13.21	3.21	81.53	0.78	19.81
	02		0.13	3.18	0.25	6.35								
	03		0.25	6.35	0.38	9.53								
13	02	13 / C	0.13	3.18	0.25	6.35	1.00	25.40	0.58	14.73	3.27	83.06	0.80	20.32
	03		0.25	6.35	0.38	9.53								
	04		0.38	9.53	0.50	12.70								
15	02	15 / D	0.13	3.18	0.25	6.35	1.15	29.21	0.65	16.51	3.36	85.34	0.88	22.35
	03		0.25	6.35	0.38	9.53								
	04		0.38	9.53	0.50	12.70								
	05		0.50	12.70	0.63	15.88								
17	02	17 / E	0.13	3.18	0.25	6.35	1.25	31.75	0.74	18.80	3.47	88.14	0.93	23.62
	03		0.25	6.35	0.38	9.53								
	04		0.38	9.53	0.50	12.70								
	05		0.50	12.70	0.63	15.88								
	06		0.63	15.88	0.75	19.05								

Table Continued

### Connector Group - L

90°, 45°

TABLE - B														
MIL PART NUMBER DESIGNATOR		CONNECTOR SHELL SIZE/CODE (REF.)	CABLE RANGE				A DIA. (MAX)		B (MAX)		C (MAX)		D (MAX)	
CONNECTOR SHELL SIZE	CLAMP SIZE		MIN		MAX		INCH	MM	INCH	MM	INCH	MM	INCH	MM
			INCH	MM	INCH	MM								
19	03	19 / F	0.25	6.35	0.38	9.53	1.40	35.56	0.93	23.62	3.66	92.96	1.01	25.65
	04		0.38	9.53	0.50	12.70								
	05		0.50	12.70	0.63	15.88								
	06		0.63	15.88	0.75	19.05								
	07		0.75	19.05	0.88	22.23								
21	03	21 / G	0.25	6.35	0.38	9.53	1.55	39.37	0.93	23.62	3.66	92.96	1.06	26.92
	04		0.38	9.53	0.50	12.70								
	05		0.50	12.70	0.63	15.88								
	06		0.63	15.88	0.75	19.05								
	07		0.75	19.05	0.88	22.23								
	08		0.88	22.23	1.00	25.40								
23	03	23 / H	0.25	6.35	0.38	9.53	1.65	41.91	1.02	25.91	3.81	96.77	1.17	29.72
	04		0.38	9.53	0.50	12.70								
	05		0.50	12.70	0.63	15.88								
	06		0.63	15.88	0.75	19.05								
	07		0.75	19.05	0.88	22.23								
	08		0.88	22.23	1.00	25.40								
	19		1.00	25.40	1.13	28.58								
25	04	25 / J	0.38	9.53	0.50	12.70	1.85	46.99	1.02	25.91	3.81	96.77	1.18	29.97
	05		0.50	12.70	0.63	15.88								
	06		0.63	15.88	0.75	19.05								
	07		0.75	19.05	0.88	22.23								
	08		0.88	22.23	1.00	25.40								
	09		1.00	25.40	1.13	28.58								
	10		1.13	28.58	1.25	31.75								

Table Continued

Connector Group - L

90°, 45°

TABLE - B						
MIL PART NUMBER DESIGNATOR		CONNECTOR SHELL	E (MAX)		Y (MAX)	
CONNECTOR SHELL SIZE	CLAMP SIZE	SIZE/CODE (REF.)	INCH	MM	INCH	MM
09	01	09 / A	3.46	87.88	0.80	20.32
	02				1.00	25.40
11	01	11 / B	3.58	90.93	0.80	20.32
	02				1.00	25.40
	03				1.10	27.94
13	02	13 / C	3.60	91.44	1.00	25.40
	03				1.10	27.94
	04				1.20	30.48
15	02	15 / D	3.67	93.22	1.00	25.40
	03				1.10	27.94
	04				1.20	30.48
	05				1.25	31.75
17	02	17 / E	3.76	95.50	1.00	25.40
	03				1.10	27.94
	04				1.20	30.48
	05				1.25	31.75
	06				1.40	35.56
19	03	19 / F	3.93	99.82	1.10	27.94
	04				1.20	30.48
	05				1.25	31.75
	06				1.40	35.56
	07				1.50	38.10
21	03	21 / G	3.93	99.82	1.10	27.94
	04				1.20	30.48
	05				1.25	31.75
	06				1.40	35.56
	07				1.50	38.10
	08				1.65	41.91
23	03	23 / H	4.04	102.62	1.10	27.94
	04				1.20	30.48
	05				1.25	31.75
	06				1.40	35.56
	07				1.50	38.10
	08				1.65	41.91
25	04	25 / J	4.04	102.62	1.20	30.48
	05				1.25	31.75
	06				1.40	35.56
	07				1.50	38.10
	08				1.65	41.91
	09				1.75	44.45
	10				1.90	48.26

# SHRINK BOOT ADAPTOR



Amphenol shrink boot adaptor is a good option when the unshielded cables are terminated with heat shrink boots. It has a groove where the boot lip can be held which provides good grip apart from sufficient space inside for the cable looping.

Using the heat shrink boot is one way of providing environmental protection and strain relief to cable termination. Using a suitable adapter is essential here to ensure the repairability. Amphenol shrink boot adaptor is designed to provide excellent characteristics in all these parameters.

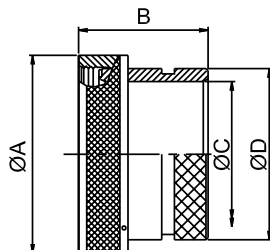
For Connector Group		Page No.
J	→	V-1
K	→	V-2
L	→	V-3

**Note:** For Connector group Identification refer Table 1 - A, B, C, D (Page 7-11) and for Material / Plating Finish, Refer Table-2 (Page 12)



Connector Group - J

Straight



MIL Part Number

M85049 / 60-1 W 18

MIL Series

Dash Number:  
See Table-A

Slash sheet

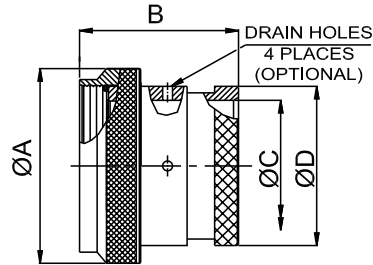
Finish:  
See Table-2

60-1: Straight, spin coupling

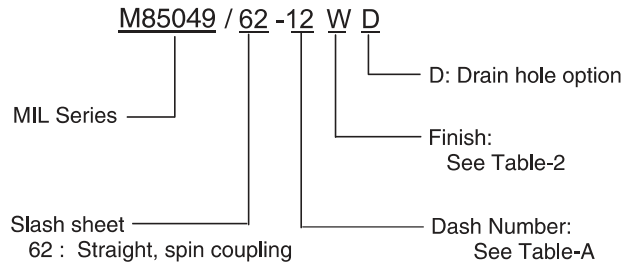
**NOTE:** \* For more cable entry and length options, contact factory

TABLE - A									
MIL PART NUMBER DESIGNATOR	CONNECTOR SHELL SIZE	A DIA. (MAX)		B (MAX)		C DIA. (MIN)		D DIA. (MAX)	
		INCH	MM	INCH	MM	INCH	MM	INCH	MM
DASH NO									
8	8	0.62	15.67	1.19	30.15	0.25	6.35	0.53	13.54
10	10	0.73	18.64	1.19	30.15	0.36	9.02	0.61	15.37
12	7/12	0.86	21.79	1.19	30.15	0.49	12.47	0.77	19.66
14	12/14	0.98	24.99	1.19	30.15	0.57	14.35	0.84	21.29
16	19/16	1.11	28.24	1.19	30.15	0.69	17.53	0.96	24.46
18	27/18	1.22	30.94	1.19	30.15	0.77	19.53	1.04	26.47
20	37/20	1.35	34.16	1.19	30.15	0.89	22.71	1.22	30.91
22	22	1.47	37.29	1.19	30.15	1.02	25.88	1.36	34.42
24	24	1.59	40.46	1.19	30.15	1.13	28.80	1.44	36.65
28	28	1.97	50.01	1.51	38.38	1.37	34.77	1.71	43.41
32	32	2.22	56.36	1.51	38.38	1.62	41.02	1.92	48.74
36	36	2.47	62.71	1.51	38.38	1.83	46.48	2.17	55.09
40	40	2.72	69.06	1.51	38.38	2.05	51.94	2.40	61.01
44	44	2.97	75.41	1.51	38.38	2.30	58.42	2.66	67.49
48	48	3.22	81.76	1.51	38.38	2.55	64.77	2.91	73.84

Table Continued



MIL Part Number



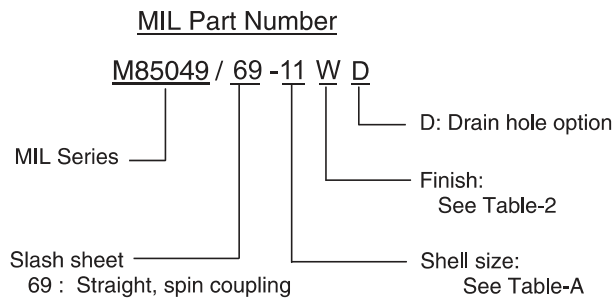
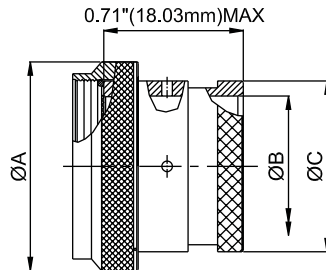
**NOTE:** \* For more cable entry and length options, contact factory

TABLE - A									
MIL PART NUMBER DESIGNATOR	CONNECTOR SHELL SIZE SE - II / I	A DIA. (MAX)		B (MAX)		C DIA. ( MIN)		D DIA. ( MAX)	
		INCH	MM	INCH	MM	INCH	MM	INCH	MM
08	8 / 9	0.75	19.05	1.00	25.40	0.25	6.35	0.53	13.54
10	10 / 11	0.85	21.59	1.00	25.40	0.38	9.53	0.61	15.37
12	12 / 13	1.00	25.40	1.00	25.40	0.50	12.70	0.77	19.66
14	14 / 15	1.10	27.94	1.00	25.40	0.63	15.88	0.84	21.29
16	16 / 17	1.25	31.75	1.00	25.40	0.75	19.05	0.94	23.77
18	18 / 19	1.40	35.56	1.00	25.40	0.81	20.62	1.04	26.47
20	20 / 21	1.50	38.10	1.00	25.40	0.94	23.80	1.22	30.91
22	22 / 23	1.65	41.91	1.00	25.40	1.06	26.97	1.36	34.42
24	24 / 25	1.75	44.45	1.00	25.40	1.19	30.18	1.44	36.65

Table Continued

Connector Group - L

Straight



**NOTE:** \* For more cable entry and length options, contact factory

TABLE - A							
MIL PART NUMBER DESIGNATOR	CONNECTOR SHELL SIZE/CODE (REF.)	A DIA. (MAX)		B DIA. (MIN)		C DIA. (MAX)	
		INCH	MM	INCH	MM	INCH	MM
09	09 / A	0.75	19.05	0.25	6.35	0.53	13.54
11	11 / B	0.85	21.59	0.38	9.53	0.61	15.37
13	13 / C	1.00	25.40	0.50	12.70	0.77	19.66
15	15 / D	1.15	29.21	0.63	15.88	0.84	21.29
17	17 / E	1.25	31.75	0.75	19.05	0.94	23.77
19	19 / F	1.40	35.56	0.81	20.62	1.04	26.47
21	21 / G	1.55	39.37	0.94	23.80	1.22	30.91
23	23 / H	1.65	41.91	1.06	26.97	1.36	34.42
25	25 / J	1.85	46.99	1.19	30.18	1.44	36.65

# CRIMP RING ADAPTOR



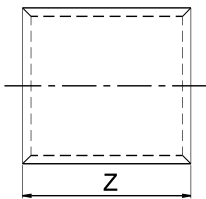
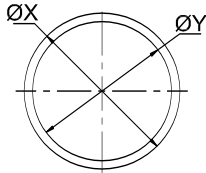
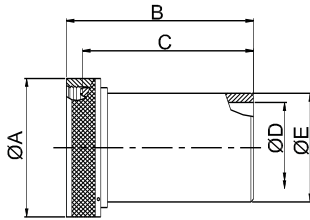
Many cable terminations where heat shrink boots are used will require provision for terminating the screens too. It is achieved in this type of back shell through a ring, which can be crimped to the back shell body holding the screens in between.

For Connector Group		Page No.
J	→	VI-1 - VI-2
K	→	VI-3
L	→	VI-4

**Note:** For Connector group Identification refer Table 1 - A, B, C, D (Page 7-11) and for Material / Plating Finish, Refer Table-2 (Page 12)

Connector Group - J

Straight



### MIL Part Number

M85049 / 26 -1 -10 N

MIL Series

Slash sheet

26: Straight, spin couplig

Finish:  
See Table-2  
Omit for '26-2'

Dash Number:  
See Table-A  
(for 26-1&26-3)  
Table-B(for 26-2)

Crimp ring  
1: Adaptor  
2: Crimp ring  
3: Adaptor with  
crimp ring

**NOTE:** \* For more cable entry and length options, contact factory

TABLE - A											
MIL PART NUMBER DESIGNATOR	CONNECTOR SHELL SIZE SIZE	A DIA. (MAX)		B (MAX)		C (MAX)		D DIA. (MAX)		E DIA. (MAX)	
		INCH	MM	INCH	MM	INCH	MM	INCH	MM	INCH	MM
DASH NO.											
8	8	0.62	15.67	1.28	32.44	0.96	24.38	0.25	6.35	0.35	8.81
10	10	0.73	18.64	1.28	32.44	0.96	24.38	0.33	8.26	0.50	12.70
12	7/12	0.86	21.79	1.28	32.44	0.96	24.38	0.42	10.67	0.51	12.95
14	12/14	0.98	24.99	1.28	32.44	0.96	24.38	0.54	13.72	0.63	16.00
16	19/16	1.11	28.24	1.28	32.44	0.96	24.38	0.67	17.02	0.76	19.30
18	27/18	1.22	30.94	1.28	32.44	0.96	24.38	0.79	20.04	0.89	22.61
20	37/20	1.35	34.16	1.28	32.44	0.96	24.38	0.91	23.22	1.01	25.65
22	22	1.47	37.29	1.28	32.44	0.96	24.38	1.04	26.39	1.13	28.70
24	24	1.59	40.46	1.28	32.44	0.96	24.38	1.11	28.24	1.20	30.48
28	28	1.97	50.01	1.44	36.55	0.96	24.38	1.39	35.28	1.56	39.62
32	32	2.22	56.36	1.44	36.55	0.96	24.38	1.64	41.53	1.81	45.97
36	36	2.47	62.71	1.44	36.55	0.96	24.38	1.85	46.99	2.06	52.32
40	40	2.72	69.06	1.44	36.55	0.96	24.38	2.07	52.45	2.31	58.67
44	44	2.97	75.41	1.44	36.55	0.96	24.38	2.32	58.93	2.56	65.02
48	48	3.22	81.76	1.44	36.55	0.96	24.38	2.57	65.28	2.81	71.37

Table Continued

TABLE - B												
MIL PART NUMBER DESIGNATOR		CONNECTOR SHELL SIZE SIZE	X DIA.				Y DIA.				Z	
DASH NO.	PART NO COLOR		MIN		MAX		MIN		MAX		INCH	MM
			INCH	MM	INCH	MM	INCH	MM	INCH	MM		
08	GREEN	8	0.45	11.38	0.46	11.63	0.40	10.16	0.41	10.41	0.25	6.35
10	RED	10	0.66	16.76	0.68	17.27	0.59	14.86	0.60	15.11	0.44	11.18
12	RED	7/12	0.66	16.76	0.68	17.27	0.59	14.86	0.60	15.11	0.44	11.18
14	BLUE	12/14	0.78	19.81	0.80	20.32	0.71	17.91	0.72	18.16	0.44	11.18
16	GRAY	19/16	0.91	23.11	0.93	23.62	0.84	21.21	0.85	21.46	0.44	11.18
18	BROWN	27/18	1.08	27.43	1.10	27.94	1.01	25.53	1.02	25.78	0.44	11.18
20	GREEN	37/20	1.20	30.48	1.22	30.99	1.13	28.58	1.14	28.83	0.44	11.18
22	PINK	22	1.32	33.53	1.34	34.04	1.25	31.62	1.26	31.88	0.44	11.18
24	YELLOW	24	1.39	35.23	1.41	35.74	1.31	33.32	1.32	33.58	0.44	11.18
28	RED	28	1.74	44.20	1.76	44.70	1.67	42.29	1.68	42.55	0.44	11.18
32	GRAY	32	1.99	50.55	2.01	51.05	1.92	48.64	1.93	48.90	0.44	11.18
36	GREEN	36	2.24	56.90	2.26	57.40	2.17	54.99	2.18	55.25	0.44	11.18
40	ORANGE	40	2.49	63.25	2.51	63.75	2.42	61.34	2.43	61.60	0.44	11.18
44	YELLOW	44	2.74	69.60	2.76	70.10	2.67	67.69	2.68	67.95	0.44	11.18
48	BLUE	48	2.99	75.95	3.01	76.45	2.92	74.04	2.93	74.30	0.44	11.18

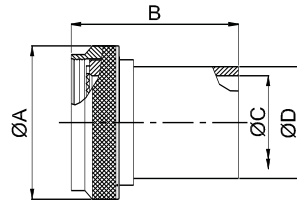
**Note:**The material&finish for the crimp ring will always be as follows

Material:Copper as per ASTM B-75

Finish:Tin plating as per MIL-T-10727,Type-1

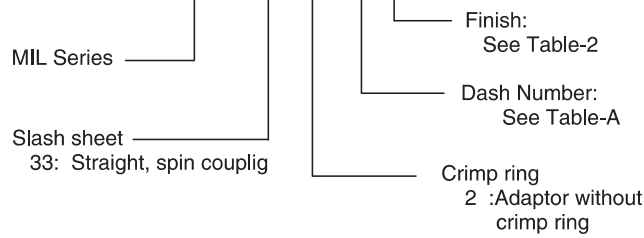
Connector Group - K

Straight



MIL Part Number

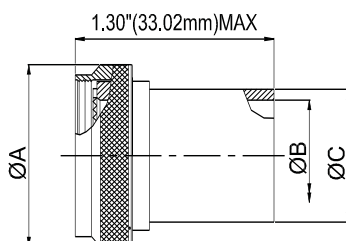
M85049 / 33 - 2 - 12 W



**NOTE:** \* For more cable entry and length options, contact factory

TABLE - A									
MIL PART NUMBER DESIGNATOR	CONNECTOR SHELL SIZE SE - II / I	A DIA. ( MAX)		B (MAX)		C DIA. ( MAX)		D DIA. (MAX)	
		INCH	MM	INCH	MM	INCH	MM	INCH	MM
08	8 / 9	0.75	19.05	1.14	28.96	0.27	6.86	0.35	8.89
10	10 / 11	0.85	21.59	1.14	28.96	0.34	8.64	0.50	12.70
12	12 / 13	1.00	25.40	1.14	28.96	0.44	11.18	0.51	12.95
14	14 / 15	1.10	27.94	1.14	28.96	0.56	14.22	0.63	16.00
16	16 / 17	1.25	31.75	1.14	28.96	0.69	17.53	0.76	19.30
18	18 / 19	1.40	35.56	1.14	28.96	0.80	20.32	0.89	22.61
20	20 / 21	1.50	38.10	1.14	28.96	0.93	23.62	1.01	25.65
22	22 / 23	1.65	41.91	1.14	28.96	1.05	26.67	1.13	28.70
24	24 / 25	1.75	44.45	1.14	28.96	1.13	28.70	1.20	30.48

Table Continued



## MIL Part Number

M85049 / 20 -13 W

MIL Series

Slash sheet

20: Straight, spin coupling-  
adaptor without ringFinish:  
See Table-2Shell size:  
See Table-A

NOTE: \* For more cable entry and length options, contact factory

TABLE - A							
MIL PART NUMBER DESIGNATOR	CONNECTOR SHELL SIZE/CODE (REF.)	A DIA. (MAX)		B DIA. (MIN)		C DIA. (MAX)	
		INCH	MM	INCH	MM	INCH	MM
09	09 / A	0.75	19.05	0.27	6.73	0.35	8.81
11	11 / B	0.85	21.59	0.34	8.71	0.50	12.65
13	13 / C	1.00	25.40	0.44	11.10	0.51	12.95
15	15 / D	1.10	27.94	0.56	14.27	0.63	16.00
17	17 / E	1.25	31.75	0.69	17.45	0.76	19.30
19	19 / F	1.40	35.56	0.81	20.62	0.89	22.61
21	21 / G	1.50	38.10	0.94	23.80	1.01	25.65
23	23 / H	1.65	41.91	1.05	26.57	1.13	28.70
25	25 / J	1.75	44.45	1.13	28.58	1.20	30.53



# BAND LOCK ADAPTOR



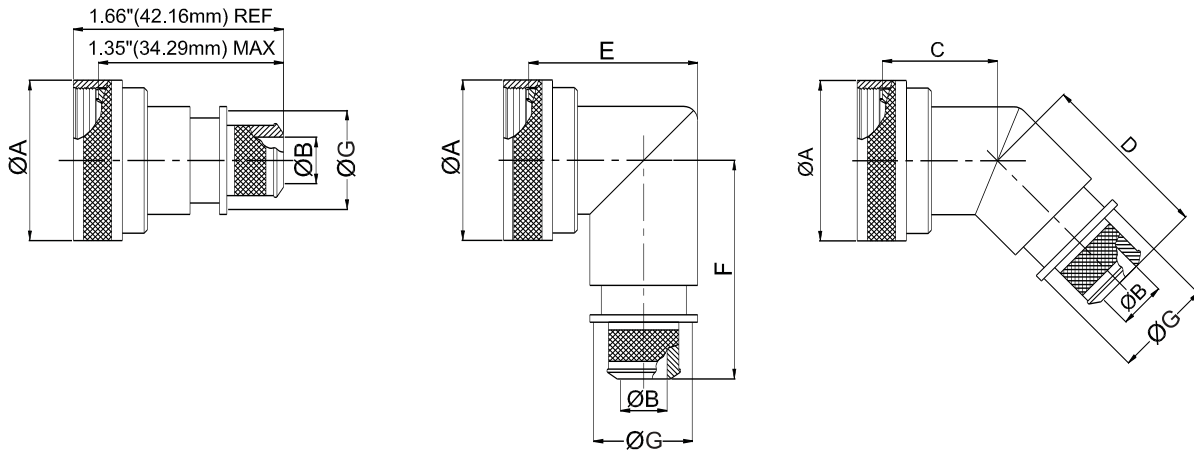
This is another method of termination of screens. A high quality band will do the job in this back shell. Tempered bands are tightened over the shields, which is pulled over the banding area, using special assembly tools. Suitable over cover by heat shrink boot or some other method as chosen by the designer could be used. Both crimp ring and banded terminations give a low DC resistance.

For Connector Group		Page No.
<b>J</b>	→	<b>VII-1</b>
<b>K</b>	→	<b>VII-2</b>
<b>L</b>	→	<b>VII-3</b>

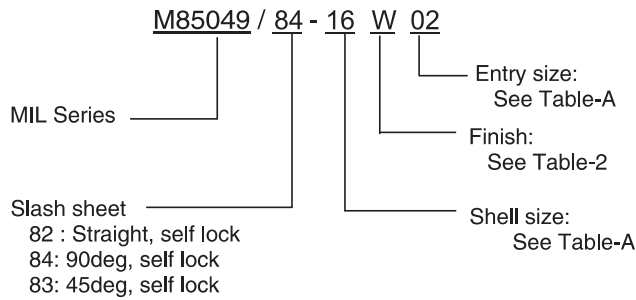
**Note:** For Connector group Identification refer Table 1 - A, B, C, D (Page 7-11) and for Material / Plating Finish, Refer Table-2 (Page 12)

Connector Group - J

Straight, 90°, 45°

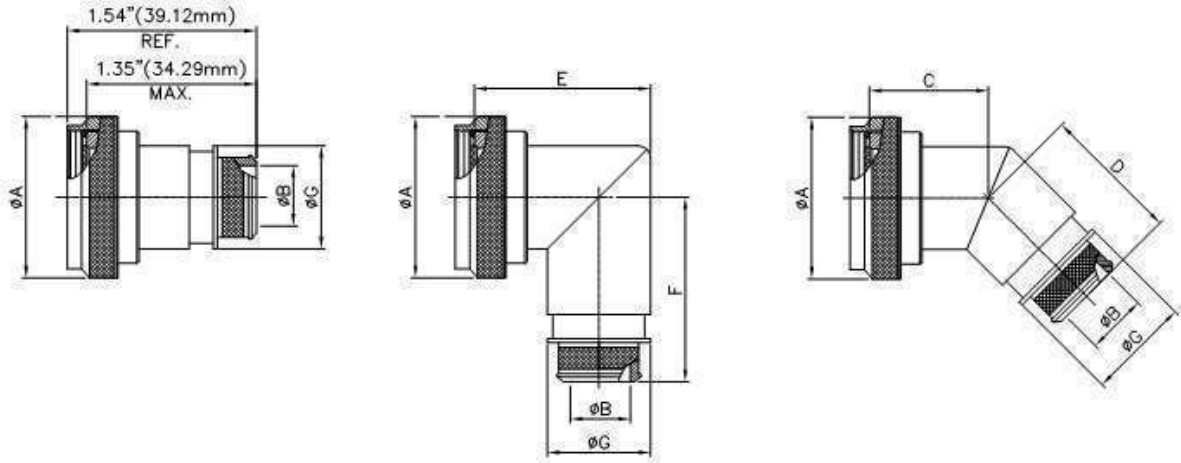


MIL Part Number



**NOTE:** \* For more cable entry and length options, contact factory

MIL PART NUMBER DESIGNATOR		CONNECTOR SHELL SIZE	A DIA. (MAX)		B DIA.		C (MAX)		D (MAX)		E (MAX)		F (MAX)		G (MAX)	
ACCESSORY SHELL SIZE	ENTRY SIZE		INCH	MM	+0.00 -0.02	+0.00 -0.50	INCH	MM	INCH	MM	INCH	MM	INCH	MM	INCH	MM
08	02	8	0.89	22.48	N/A	N/A	0.87	22.10	1.16	29.46	1.19	30.18	1.42	35.99	N/A	N/A
	03				0.26	6.60									0.56	14.22
10	02	10	1.01	25.65	N/A	N/A	0.89	22.61	1.18	29.97	1.28	32.54	1.48	37.59	N/A	N/A
	03				0.32	8.13									0.63	16.00
12	02	7 / 12	1.14	28.83	0.32	8.13	0.92	23.37	1.20	30.48	1.41	35.71	1.54	39.17	0.63	16.00
	03				0.45	11.43									0.75	19.05
14	02	12 / 14	1.26	32.00	0.45	11.43	0.94	23.88	1.22	30.99	1.53	38.89	1.61	40.77	0.75	19.05
	03				0.57	14.48									0.89	22.61
16	02	19 / 16	1.39	35.18	0.51	12.95	0.96	24.38	1.25	31.75	1.66	42.06	1.67	42.34	0.82	20.83
	03				0.64	16.26									0.95	24.13
18	02	27 / 18	1.51	38.35	0.64	16.26	0.98	24.89	1.26	32.00	1.72	43.64	1.73	43.94	0.95	24.13
	03				0.76	19.30									1.07	27.18
20	02	37 / 20	1.64	41.53	0.64	16.26	1.00	25.40	1.29	32.77	1.84	46.84	1.79	45.52	0.95	24.13
	03				0.82	20.83									1.13	28.07
22	02	22	1.76	44.70	0.70	17.78	1.03	26.16	1.31	33.27	1.94	49.23	1.85	46.99	1.02	25.99
	03				0.95	24.13									1.26	32.00
24	02	24	1.89	47.88	0.76	19.30	1.05	26.67	1.34	34.04	2.09	53.16	1.92	48.69	1.07	27.18
	03				1.01	25.65									1.32	33.53
28	02	28	2.14	54.23	0.89	22.61	1.10	27.94	1.38	35.05	2.53	64.29	2.04	51.87	1.19	30.23
	03				1.14	28.96									1.47	37.34



**MIL PART NUMBER**

**M85049/ 85 -12 W 02**

MIL Series ————  
 Slash sheet ————  
 85 : Straight, Self lock  
 87 : 90deg, Self lock  
 86 : 45deg, Self lock

Entry size:  
See Table-A

Finish:  
See Table-2

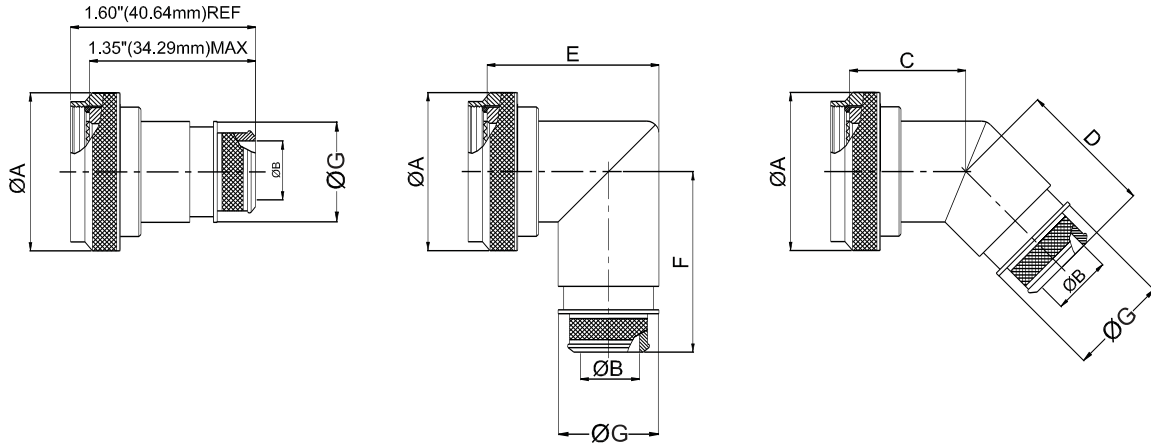
Shell Size:  
See Table-A

NOTE: \* For more cable entry and length option, contact factory

TABLE - A																	
ACCESSORY SHELL SIZE	M85049/85 ENTRY SIZE	M85049/86 M85049/87 ENTRY SIZE	CONNECTOR SHELL SIZE SE - III/I	ØA(MAX)		ØB		C (MAX)		D (MAX)		E (MAX)		F (MAX)		G (MAX)	
				INCH	MM	+0.00 -0.02	+0.00 -0.02	INCH	MM	INCH	MM	INCH	MM	INCH	MM	INCH	MM
08	01	02	8/9	0.86	21.82	N/A	N/A	0.87	22.10	1.16	29.46	1.38	34.93	1.42	35.99	N/A	N/A
	02	03				0.28	6.60									0.56	14.22
10	01	02	10/11	0.99	25.04	N/A	N/A	0.90	22.86	1.19	30.23	1.44	36.50	1.48	37.59	N/A	N/A
	02	03				0.32	8.13									0.63	16.00
12	01	02	12/13	1.16	29.36	0.32	8.13	0.92	23.37	1.21	30.73	1.56	39.67	1.55	39.45	0.63	16.00
	02	03				0.45	11.43									0.75	19.05
14	01	02	14/15	1.28	32.54	0.45	11.43	0.95	24.13	1.24	31.50	1.69	42.85	1.61	41.00	0.75	19.05
	02	03				0.57	14.48									0.89	22.61
16	01	02	16/17	1.41	35.71	0.51	12.95	0.98	24.89	1.26	32.00	1.75	44.45	1.68	42.62	0.82	20.83
	02	03				0.64	16.26									0.95	24.13
18	01	02	18/19	1.52	38.51	0.64	16.26	0.98	24.89	1.27	32.26	1.88	47.63	1.73	44.02	0.95	24.13
	02	03				0.76	19.30									1.07	27.18
20	01	02	20/21	1.64	41.68	0.64	16.26	1.01	25.65	1.30	33.02	1.94	49.23	1.80	45.62	0.95	24.13
	02	03				0.82	20.83									1.13	28.07
22	01	02	22/23	1.77	44.86	0.70	17.78	1.04	26.42	1.33	33.78	2.06	52.37	1.86	47.22	1.02	25.99
	02	03				0.95	24.13									1.26	32.00
24	01	02	24/25	1.89	48.03	0.76	19.30	1.07	27.18	1.35	34.29	2.13	53.98	1.92	48.74	1.07	27.18
	02	03				1.01	25.65									1.32	33.53

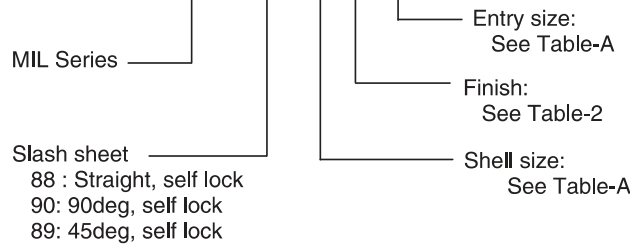
Connector Group - L

Straight, 90°, 45°



**MIL Part Number**

**M85049 / 88 - 15 W 02**



**NOTE:** \* For more cable entry and length options, contact factory

MIL PART NUMBER DESIGNATOR		CONNECTOR SHELL SIZE/CODE	A DIA. (MAX)		B DIA.		C (MAX)		D (MAX)		E (MAX)		F (MAX.)		G (MAX)	
			INCH	MM	+0.00 -0.02	+0.00 -0.50	INCH	MM	INCH	MM	INCH	MM	INCH	MM	INCH	MM
9	02	09 / A	0.86	21.82	N/A	N/A	1.01	25.65	1.16	29.46	1.38	34.93	1.42	35.99	N/A	N/A
	03				0.26	6.60									0.56	14.22
11	02	11 / B	0.99	25.04	N/A	N/A	1.03	26.16	1.19	30.23	1.44	36.50	1.48	37.59	N/A	N/A
	03				0.32	8.13									0.63	16.00
13	02	13 / C	1.16	29.36	0.32	8.13	1.06	26.92	1.21	30.73	1.56	39.67	1.55	39.45	0.63	16.00
	03				0.45	11.43									0.75	19.05
15	02	15 / D	1.28	32.54	0.45	11.43	1.08	27.43	1.24	31.50	1.69	42.85	1.61	41.00	0.75	19.05
	03				0.57	14.48									0.89	22.61
17	02	17 / E	1.41	35.71	0.51	12.95	1.11	28.19	1.26	32.00	1.75	44.45	1.68	42.62	0.82	20.83
	03				0.64	16.26									0.95	24.13
19	02	19 / F	1.52	38.51	0.64	16.26	1.12	28.45	1.27	32.26	1.88	47.63	1.77	45.03	0.95	24.13
	03				0.76	19.30									1.07	27.18
21	02	21 / G	1.64	41.68	0.64	16.26	1.15	29.21	1.30	33.02	1.94	49.23	1.80	45.62	0.95	24.13
	03				0.82	20.83									1.13	28.07
23	02	23 / H	1.77	44.86	0.70	17.78	1.17	29.72	1.33	33.78	2.06	52.37	1.86	47.22	1.02	25.99
	03				0.95	24.13									1.26	32.00
25	02	25 / J	1.89	48.03	0.76	19.30	1.20	30.48	1.35	34.29	2.13	53.98	1.92	48.74	1.07	27.18
	03				1.01	25.65									1.32	33.53

# PRE-SHIELD ADAPTOR



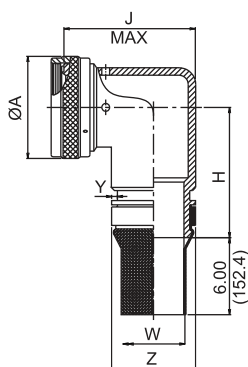
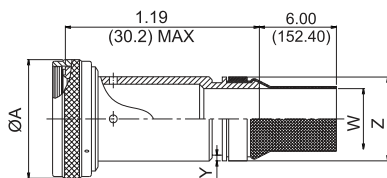
This adaptor is supplied with some length of braid attached. This braid overlaps with the cable braid and effective shielding takes place due to its 360° contact. It is designed to accept heat shrink boot. Ease and less time for cable termination are the prime advantages here.

For Connector Group		Page No.
<b>J</b>	→	<b>VIII-1 - VIII-2</b>
<b>K</b>	→	<b>VIII-3 - VIII-4</b>
<b>L</b>	→	<b>VIII-5 - VIII-6</b>

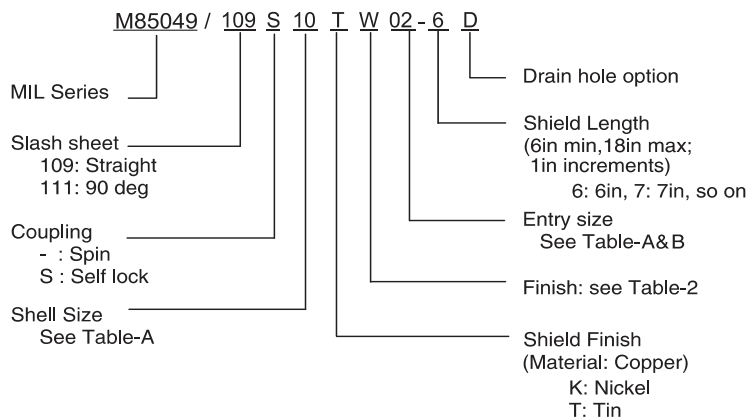
**Note:** For Connector group Identification refer Table 1 - A, B, C, D (Page 7-11) and for Material / Plating Finish, Refer Table-2 (Page 12)

Connector Group - J

Straight, 90°



### MIL Part Number



NOTE: \* For more cable entry and length options, contact factory

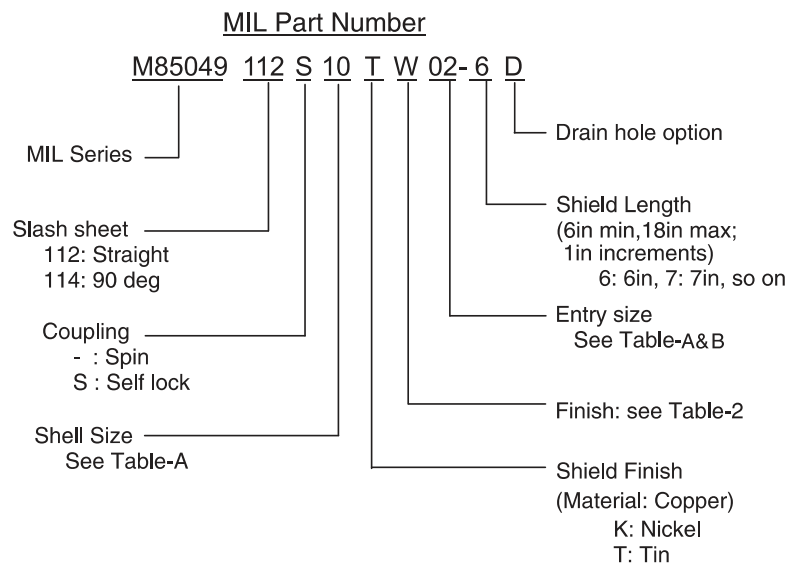
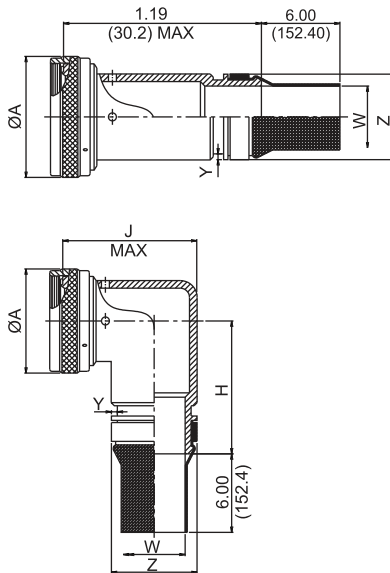
TABLE - A									
PART NUMBER DESIGNATOR		CONNECTOR SHELL SIZE	A DIA. (MAX)		H (MAX)		J (MAX)		
SHELL SIZE - MIL	ALLOWABLE ENTRY SIZE		SIZE	INCH	MM	INCH	MM	INCH	MM
	MIN	MAX							
08	-	01	8	0.885	22.48	1.73	43.94	1.12	28.45
10	01	03	10	1.01	25.65	1.85	46.99	1.25	31.75
12	01	05	7/12	1.135	28.83	1.87	47.50	1.38	35.05
14	02	06	12/14	1.26	32.00	1.94	49.28	1.44	36.58
16	04	08	19/16	1.385	35.18	2.03	51.56	1.56	39.62
18	05	09	27/18	1.51	38.35	2.2	55.88	1.75	44.45
20	07	11	37/20	1.635	41.53	2.2	55.88	1.75	44.45
22	09	13	22	1.76	44.70	2.31	58.67	2	50.80
24	11	14	24	1.885	47.88	2.31	58.67	2	50.80
28	14	16	28	2.135	54.23	2.48	62.99	2.25	57.15
32	16	17	32	2.395	60.83	2.73	69.34	2.75	69.85
36	17	19	36	2.635	66.93	2.73	69.34	3.125	79.38
40	19	21	40	2.885	73.28	2.88	73.15	4.125	104.78
44	21	23	44	3.135	79.63	3	76.20	4.125	104.78
48	23	25	48	3.385	85.98	3.12	79.25	4.125	104.78

Table Continued

TABLE - B						
ENTRY SIZE	W ±0.020	W ±0.508	Y +0.008 -0.000 (INCH)	Y +0.200 -0.000 (MM)	Z MAX	Z MAX
	(INCH)	(MM)	(INCH)	(MM)	(INCH)	(MM)
01	0.250	6.35	0.044	1.12	0.56	14.22
02	0.312	7.92	0.044	1.12	0.63	16.00
03	0.375	9.53	0.044	1.12	0.69	17.53
04	0.438	11.13	0.044	1.12	0.75	19.05
05	0.500	12.70	0.044	1.12	0.82	20.83
06	0.562	14.27	0.044	1.12	0.89	22.61
07	0.625	15.88	0.044	1.12	0.95	24.13
08	0.688	17.48	0.044	1.12	1.02	25.91
09	0.750	19.05	0.069	1.75	1.07	27.18
10	0.812	20.62	0.069	1.75	1.13	28.70
11	0.875	22.23	0.069	1.75	1.19	30.23
12	0.938	23.83	0.069	1.75	1.26	32.00
13	1.000	25.40	0.069	1.75	1.32	33.53
14	1.125	28.575	0.069	1.75	1.47	37.34
15	1.250	31.75	0.069	1.75	1.60	40.64
16	1.375	34.93	0.069	1.75	1.71	43.43
17	1.500	38.10	0.086	2.18	1.84	46.74
18	1.625	41.28	0.086	2.18	2.00	50.80
19	1.750	44.45	0.086	2.18	2.12	53.85
20	1.875	47.63	0.086	2.18	2.27	57.66
22	2.000	50.80	0.086	2.18	2.44	61.98
22	2.125	53.98	0.086	2.18	2.60	66.04
23	2.250	57.15	0.086	2.18	2.75	69.85
24	2.375	60.325	0.086	2.18	2.90	73.66
25	2.500	63.50	0.086	2.18	3.06	77.72

Connector Group - K

Straight, 90°



**NOTE:** \* For more cable entry and length options, contact factory

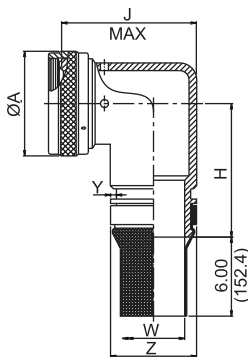
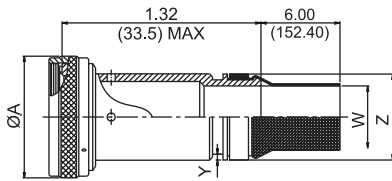
TABLE - A									
PART NUMBER DESIGNATOR			CONNECTOR SHELL SIZE	A DIA. (MAX)		H (MAX)		J (MAX)	
SHELL SIZE - MIL	ALLOWABLE ENTRY SIZE			INCH	MM	INCH	MM	INCH	MM
	MIN	MAX							
08	-	01	8/9	0.86	21.84	1.73	43.94	1.07	27.18
10	01	03	10/11	0.98	24.89	1.85	46.99	1.19	30.23
12	01	05	12/13	1.16	29.46	1.87	47.50	1.32	33.53
14	03	07	14/15	1.28	32.51	1.94	49.28	1.44	36.58
16	05	09	16/17	1.41	35.81	2.03	51.56	1.57	39.88
18	06	10	18/19	1.52	38.61	2.2	55.88	1.75	44.45
20	08	12	20/21	1.64	41.66	2.2	55.88	1.75	44.45
22	09	13	22/23	1.77	44.96	2.31	58.67	2	50.80
24	10	14	24/25	1.89	48.01	2.31	58.67	2	50.80



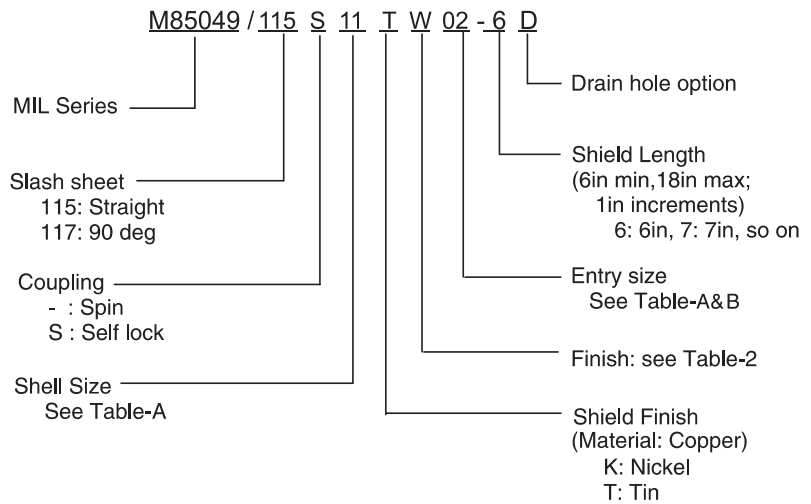
TABLE - B						
ENTRY SIZE	W ±0.020	W ±0.508	Y +0.008 -0.000 (INCH)	Y +0.200 -0.000 (MM)	Z MAX	Z MAX
	(INCH)	(MM)	(INCH)	(MM)	(INCH)	(MM)
01	0.250	6.35	0.044	1.12	0.56	14.22
02	0.312	7.92	0.044	1.12	0.63	16.00
03	0.375	9.53	0.044	1.12	0.69	17.53
04	0.438	11.13	0.044	1.12	0.75	19.05
05	0.500	12.70	0.044	1.12	0.82	20.83
06	0.562	14.27	0.044	1.12	0.89	22.61
07	0.625	15.88	0.044	1.12	0.95	24.13
08	0.688	17.48	0.044	1.12	1.02	25.91
09	0.750	19.05	0.069	1.75	1.07	27.18
10	0.812	20.62	0.069	1.75	1.13	28.70
11	0.875	22.23	0.069	1.75	1.19	30.23
12	0.938	23.83	0.069	1.75	1.26	32.00
13	1.000	25.40	0.069	1.75	1.32	33.53
14	1.125	28.575	0.069	1.75	1.47	37.34

Connector Group - L

Straight, 90°



### MIL Part Number



**NOTE:** \* For more cable entry and length options, contact factory

TABLE - A									
PART NUMBER DESIGNATOR			CONNECTOR SHELL SIZE	A DIA. (MAX)		H (MAX)		J (MAX)	
SHELL SIZE - MIL	ALLOWABLE ENTRY SIZE			INCH	MM	INCH	MM	INCH	MM
	MIN	MAX							
09	-	01	8/9	0.86	21.84	1.73	43.94	0.88	22.35
11	01	03	10/11	0.98	24.89	1.85	46.99	1	25.40
13	01	05	12/13	1.16	29.46	1.87	47.50	1.13	28.70
15	03	07	14/15	1.28	32.51	1.94	49.28	1.31	33.27
17	05	09	16/17	1.41	35.81	2.03	51.56	1.5	38.10
19	06	10	18/19	1.52	38.61	2.2	55.88	1.75	44.45
21	08	12	20/21	1.64	41.66	2.2	55.88	1.75	44.45
23	09	13	22/23	1.77	44.96	2.31	58.67	2	50.80
25	10	14	24/25	1.89	48.01	2.31	58.67	2	50.80

TABLE - B						
ENTRY SIZE	W ±0.020	W ±0.508	Y +0.008 -0.000 (INCH)	Y +0.200 -0.000 (MM)	Z MAX	Z MAX
	(INCH)	(MM)	(INCH)	(MM)	(INCH)	(MM)
01	0.250	6.35	0.044	1.12	0.56	14.22
02	0.312	7.92	0.044	1.12	0.63	16.00
03	0.375	9.53	0.044	1.12	0.69	17.53
04	0.438	11.13	0.044	1.12	0.75	19.05
05	0.500	12.70	0.044	1.12	0.82	20.83
06	0.562	14.27	0.044	1.12	0.89	22.61
07	0.625	15.88	0.044	1.12	0.95	24.13
08	0.688	17.48	0.044	1.12	1.02	25.91
09	0.750	19.05	0.069	1.75	1.07	27.18
10	0.812	20.62	0.069	1.75	1.13	28.70
11	0.875	22.23	0.069	1.75	1.19	30.23
12	0.938	23.83	0.069	1.75	1.26	32.00
13	1.000	25.40	0.069	1.75	1.32	33.53
14	1.125	28.575	0.069	1.75	1.47	37.34

# QUICK CLAMP



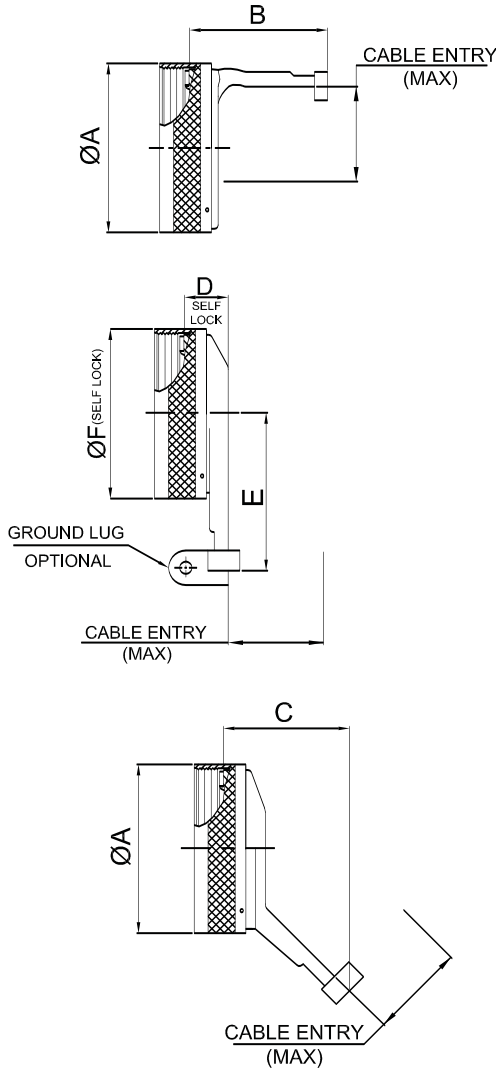
Many applications call for just tidying up the cable in the desired direction with a “minimum weight” consideration. Amphenol Quick Clamps are useful for such applications. It finds applications in interior wiring of flying machines

For Connector Group		Page No.
J	→	IX-1
K	→	IX-2
L	→	IX-3

**Note:** For Connector group Identification refer Table 1 - A, B, C, D (Page 7-11) and for Material / Plating Finish, Refer Table-2 (Page 12)

### Connector Group - J

Straight, 90°, 45°



#### MIL Part Number

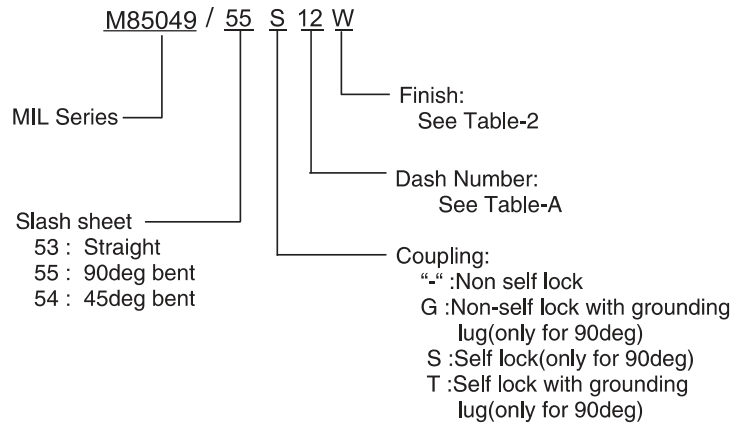
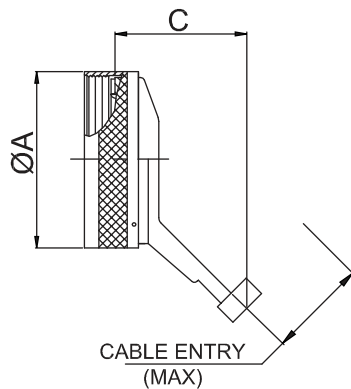
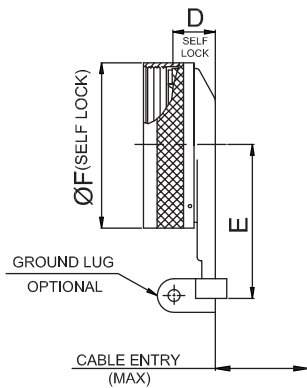
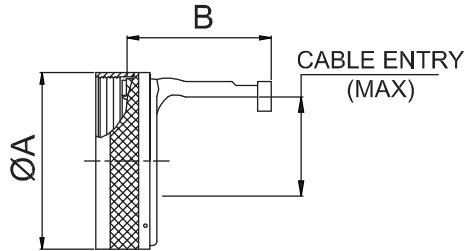


TABLE - A

MIL PART NUMBER DESIGNATOR	CONNECTOR SHELL SIZE	A DIA. (MAX)		B (MAX)		C (MAX)		D (MAX)		E (MAX)		F DIA. (MAX)		WIRING ENTRY (MAX)	
		INCH	MM	INCH	MM	INCH	MM	INCH	MM	INCH	MM	INCH	MM	INCH	MM
08	8	0.66	16.69	0.95	24.23	1.23	31.29	0.73	18.54	1.22	30.99	0.89	22.48	0.26	6.60
10	10	0.78	19.86	0.95	24.23	1.23	31.29	0.73	18.54	1.29	32.77	1.01	25.65	0.37	9.27
12	7/12	0.94	23.80	0.95	24.23	1.23	31.29	0.73	18.54	1.62	41.15	1.14	28.83	0.50	12.73
14	12/14	1.05	26.67	1.20	30.58	1.23	31.29	0.73	18.54	1.66	42.16	1.26	32.00	0.58	14.61
16	19/16	1.24	31.47	1.20	30.58	1.23	31.29	0.73	18.54	1.72	43.69	1.39	35.18	0.70	17.78
18	27/18	1.38	35.00	1.20	30.58	1.23	31.29	0.73	18.54	1.72	43.69	1.51	38.35	0.78	19.79
20	37/20	1.50	38.10	1.31	33.27	1.48	37.64	0.75	19.05	1.79	45.47	1.64	41.53	0.90	22.96
22	22	1.63	41.43	1.43	36.32	1.48	37.64	0.75	19.05	1.85	46.99	1.76	44.70	1.03	26.14
24	24	1.75	44.45	1.56	39.62	1.48	37.64	0.75	19.05	1.91	48.51	1.89	47.88	1.14	29.06
28	28	1.97	50.04	1.56	39.62	1.47	37.31	0.75	19.05	2.06	52.32	2.14	54.23	1.38	35.03

## Connector Group - K

Straight, 90°, 45°



## MIL Part Number

M85049 / 63 S 16 W

MIL Series

Slash sheet

56 : Straight  
63 : 90deg bent  
57 : 45deg bent

Finish:  
See Table-2Dash Number:  
See Table-A

Coupling:

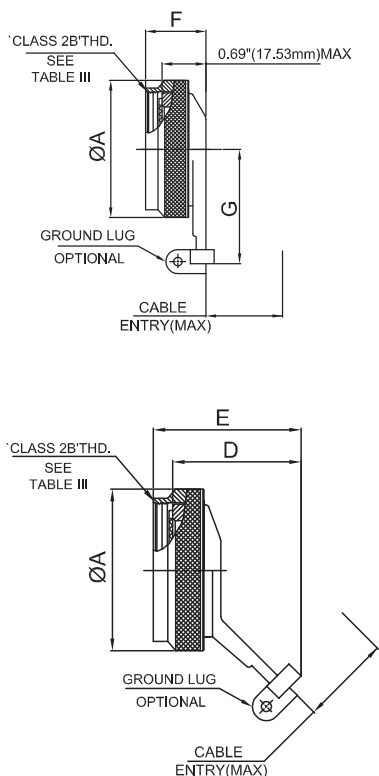
S :Self lock(only for 90/45deg)

G :Self lock with grounding  
lug(only for 90/45deg)

“-“ :Non self lock

TABLE - A

MIL PART NUMBER DESIGNATOR	CONNECTOR SHELL SIZE	A DIA. (MAX)		B (MAX)		C (MAX)		D (MAX)		E (MAX)		F DIA. (MAX)		WIRING ENTRY (MAX)	
		INCH	MM	INCH	MM	INCH	MM	INCH	MM	INCH	MM	INCH	MM	INCH	MM
08	8	0.66	16.69	0.95	24.23	1.23	31.29	0.73	18.54	1.22	30.99	0.89	22.48	0.26	6.60
10	10	0.78	19.86	0.95	24.23	1.23	31.29	0.73	18.54	1.29	32.77	1.01	25.65	0.37	9.27
12	7/12	0.94	23.80	0.95	24.23	1.23	31.29	0.73	18.54	1.62	41.15	1.14	28.83	0.50	12.73
14	12/14	1.05	26.67	1.20	30.58	1.23	31.29	0.73	18.54	1.66	42.16	1.26	32.00	0.58	14.61
16	19/16	1.24	31.47	1.20	30.58	1.23	31.29	0.73	18.54	1.72	43.69	1.39	35.18	0.70	17.78
18	27/18	1.38	35.00	1.20	30.58	1.23	31.29	0.73	18.54	1.72	43.69	1.51	38.35	0.78	19.79
20	37/20	1.50	38.10	1.31	33.27	1.48	37.64	0.75	19.05	1.79	45.47	1.64	41.53	0.90	22.96
22	22	1.63	41.43	1.43	36.32	1.48	37.64	0.75	19.05	1.85	46.99	1.76	44.70	1.03	26.14
24	24	1.75	44.45	1.56	39.62	1.48	37.64	0.75	19.05	1.91	48.51	1.89	47.88	1.14	29.06



### MIL Part Number

M85049 / 16 S 16 W

MIL Series

Slash sheet

16 : 90deg bent  
15 : 45deg bent

Finish:  
See Table-2

Shell size:  
See Table-A

Coupling:  
S :Self lock  
G :Self lock with grounding lug  
“-“ :Non self lock

TABLE - A

MIL PART NUMBER DESIGNATOR	CONNECTOR SHELL SIZE/CODE (REF.)	A DIA. (MAX)		D (MAX)		E (MAX)		F (MAX)		G (MAX)		WIRING ENTRY(MAX)	
		INCH	MM	INCH	MM	INCH	MM	INCH	MM	INCH	MM	INCH	MM
9	09 / A	0.86	21.79	1.03	26.16	1.43	36.32	0.99	25.15	1.22	30.99	0.26	6.71
11	11 / B	0.98	24.99	1.03	26.16	1.43	36.32	0.99	25.15	1.29	32.77	0.39	9.96
13	13 / C	1.16	29.39	1.03	26.16	1.43	36.32	0.99	25.15	1.62	41.15	0.51	12.85
15	15 / D	1.28	32.49	1.09	27.69	1.93	49.02	0.99	25.15	1.66	42.16	0.63	16.03
17	17 / E	1.41	35.71	1.11	28.19	1.93	49.02	0.99	25.15	1.72	43.69	0.76	19.20
19	19 / F	1.52	38.51	1.21	30.73	2.03	51.56	0.99	25.15	1.72	43.69	0.85	21.46
21	21 / G	1.64	41.71	1.26	32.00	2.09	53.09	0.99	25.15	1.79	45.47	0.97	24.64
23	23 / H	1.77	44.91	1.30	33.02	2.09	53.09	0.99	25.15	1.85	46.99	1.10	27.81
25	25 / J	1.89	47.98	1.34	34.04	2.24	56.90	0.99	25.15	1.91	48.51	1.22	30.99

# STRAIN RELIEF CLAMP



Amphenol Strain Reliefs not only tidy-up the cable after termination but provide good strain relief at the termination area. It is a cost effective cable holding option when environmental protection is not a concern, and weight saving is a major consideration

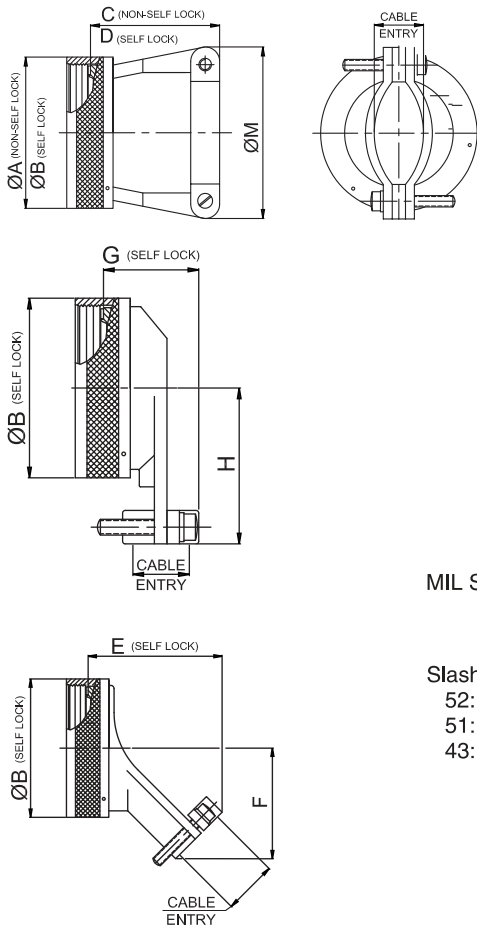
For Connector Group		Page No.
<b>J</b>	→	<b>X-1 - X-4</b>
<b>K</b>	→	<b>X-5 - X-8</b>
<b>L</b>	→	<b>X-9 - X-12</b>

**Note:** For Connector group Identification refer Table 1 - A, B, C, D (Page 7-11) and for Material / Plating Finish, Refer Table-2 (Page 12)

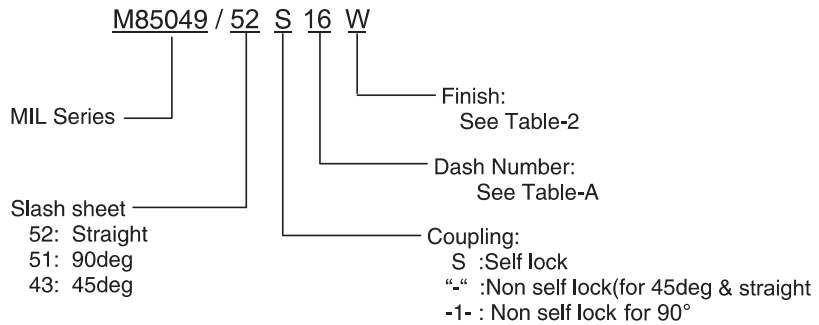


Connector Group - J

Straight, 90°, 45°



**MIL Part Number**



**NOTE:** \* For more cable entry and length options, contact factory

TABLE - A													
MIL PART NUMBER DESIGNATOR	CONNECTOR SHELL SIZE	A DIA.( MAX)		B DIA.( MAX)		C (MAX)		D (MAX)		E (MAX)		F (MAX)	
		INCH	MM	INCH	MM	INCH	MM	INCH	MM	INCH	MM	INCH	MM
8	8	0.62	15.67	0.89	22.48	0.63	16.00	0.73	18.54	1.32	33.53	0.77	19.61
10	10	0.73	18.64	1.01	25.65	0.74	18.80	0.85	21.59	1.36	34.65	0.80	20.40
12	7/12	0.86	21.79	1.14	28.83	0.86	21.84	0.98	24.89	1.44	36.53	0.87	22.00
14	12/14	0.98	24.99	1.26	32.00	0.86	21.84	0.98	24.89	1.48	37.59	0.93	23.57
16	19/16	1.11	28.24	1.39	35.18	0.99	25.15	1.10	27.94	1.59	40.28	0.99	25.17
18	27/18	1.22	30.94	1.51	38.35	1.24	31.50	1.35	34.29	1.70	43.28	1.11	28.19
20	37/20	1.35	34.16	1.64	41.53	1.36	34.54	1.48	37.59	1.75	44.40	1.17	29.77
22	22	1.47	37.29	1.76	44.70	1.49	37.85	1.60	40.64	1.79	45.52	1.24	31.37
24	24	1.59	40.46	1.89	47.88	1.61	40.89	1.73	43.94	1.84	46.63	1.30	32.94
28	28	1.97	50.01	2.14	54.23	1.76	44.70	1.88	47.75	1.96	49.81	1.54	39.19
32	32	2.22	56.36	2.40	60.83	1.95	49.53	2.13	54.10	2.05	52.04	1.67	42.37
36	36	2.47	62.71	2.64	66.93	2.33	59.18	2.44	61.98	2.09	53.16	1.79	45.54
40	40	2.72	69.06	2.89	73.28	2.51	63.75	2.63	66.80	2.09	53.19	1.92	48.72
44	44	2.97	75.41	3.14	79.63	2.89	73.41	3.00	76.20	2.36	59.94	2.13	54.15
48	48	3.22	81.76	3.39	85.98	3.26	82.80	3.40	86.36	2.45	62.18	2.26	57.33

Table Continued

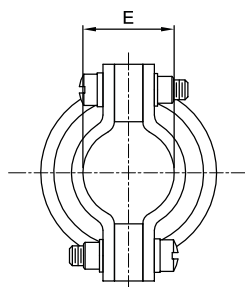
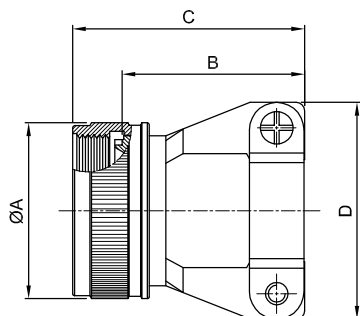
Connector Group - J

Straight, 90°, 45°

TABLE - A											
MIL PART NUMBER DESIGNATOR	CONNECTOR SHELL SIZE SIZE	G (MAX )		H (MAX)		M (MAX)		CABLE ENTRY			
		DASH NO	INCH	MM	INCH	MM	INCH	MM	MIN		MAX
								INCH	MM	INCH	MM
08	8	0.93	23.62	0.75	18.95	0.78	19.86	0.13	3.18	0.20	5.18
10	10	1.02	25.91	0.81	20.45	0.86	21.89	0.19	4.75	0.29	7.26
12	7/12	1.21	30.73	0.87	22.02	1.00	25.48	0.29	7.39	0.42	10.57
14	12/14	1.27	32.26	0.93	23.62	1.06	26.95	0.35	8.92	0.48	12.09
16	19/16	1.42	36.07	0.99	25.25	1.33	33.88	0.50	12.73	0.63	15.90
18	27/18	1.53	38.86	1.17	29.74	1.47	37.24	0.52	13.16	0.71	17.93
20	37/20	1.65	41.91	1.23	31.34	1.57	39.93	0.58	14.76	0.83	21.11
22	22	1.78	45.21	1.30	32.92	1.69	42.88	0.64	16.36	0.96	24.28
24	24	1.90	48.26	1.36	34.49	1.79	45.47	0.71	17.93	1.08	27.46
28	28	2.20	55.88	1.57	39.93	2.04	51.69	0.75	19.05	1.19	30.15
32	32	2.27	57.66	1.80	45.64	2.39	60.60	0.88	22.23	1.25	31.75
36	36	2.39	60.71	1.92	48.82	2.50	63.40	0.94	23.83	1.38	34.93
40	40	2.52	64.01	2.05	51.99	2.57	65.18	0.94	23.83	1.50	38.10
44	44	2.77	70.36	2.30	58.32	2.86	72.64	1.19	30.18	1.75	44.45
48	48	2.89	73.41	2.42	61.49	3.34	84.94	1.31	33.32	1.88	47.63

Connector Group - J

Straight



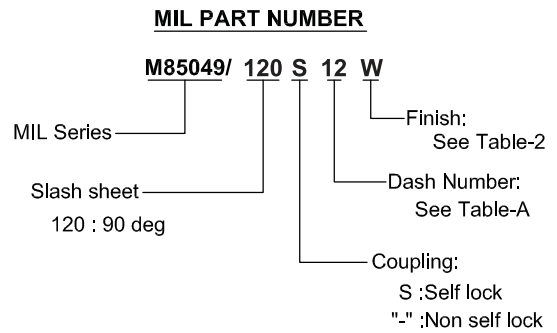
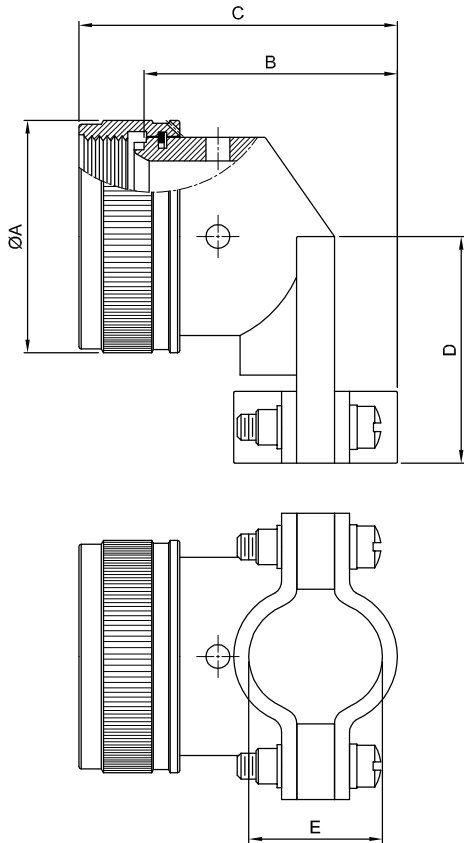
**MIL PART NUMBER**

**M85049/118 S 18 W**

MIL Series — M85049/118  
 Slash sheet — S  
 118 : Straight  
 Finish: See Table-2  
 Dash Number: See Table-A  
 Coupling: S :Self lock  
 "—" :Non self lock

**TABLE – A**

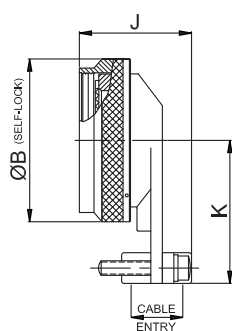
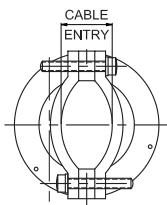
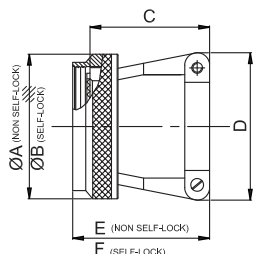
MIL PART NUMBER DESIGNATOR	CONNECTOR SHELL SIZE	A DIA.( MAX )		B LENGTH		C.( MAX )		D.( MAX )		E. ( CLOSED )	
		INCH	MM	INCH	MM	INCH	MM	INCH	MM	±.031	±.787
DASH NO											
08	8S	0.89	22.61	0.77/0.51	19.56/12.95	1.14	28.96	0.88	22.35	0.22	5.56
10	10S, 10SL	1.01	25.65	0.89/0.64	22.61/16.26	1.25	31.75	0.94	23.88	0.26	6.71
12	12, 12S	1.14	28.96	1.01/0.76	25.65/19.30	1.38	35.05	1.12	28.45	0.34	8.74
14	14, 14S	1.26	32.00	1.01/0.76	25.65/19.30	1.38	35.05	1.19	30.23	0.46	11.68
16	16, 16S	1.39	35.31	1.13/0.88	28.70/22.35	1.50	38.10	1.44	36.58	0.55	13.84
18	18	1.51	38.35	1.38/1.13	35.05/28.70	1.75	44.45	1.56	39.62	0.62	15.62
20	20	1.64	41.66	1.51/1.25	38.35/31.75	1.88	47.75	1.69	42.93	0.69	17.53
22	22	1.76	44.70	1.62/1.38	41.15/35.05	2.00	50.80	1.75	44.45	0.78	19.81
24	24	1.89	48.01	1.76/1.51	44.70/38.35	2.13	54.10	1.88	47.75	0.85	21.59
28	28	2.14	54.36	2.03/1.67	51.56/42.42	2.56	65.02	2.12	53.85	0.95	24.13
32	32	2.40	60.96	2.28/1.87	57.91/47.50	2.81	71.37	2.50	63.50	1.02	25.78
36	36	2.64	67.06	2.53/2.22	64.26/56.39	3.06	77.72	2.62	66.55	1.19	30.15
40	40	2.89	73.41	2.63/2.41	66.80/61.21	3.16	80.26	2.68	68.07	1.22	30.99
44	44	3.14	79.76	3.00/2.80	76.20/71.12	3.53	89.66	3.00	76.20	1.50	38.10
48	48	3.39	86.11	3.40/3.20	86.36/81.28	3.93	99.82	3.50	88.90	1.63	41.28



MIL PART NUMBER DESIGNATOR	CONNECTOR SHELL SIZE	A DIA. ( MAX )		B.( MAX )		C.( MAX )		D.( MAX )		E. ( CLOSED )	
		INCH	MM	INCH	MM	INCH	MM	INCH	MM	±.031	±.787
DASH NO										INCH	MM
08	8S	0.88	22.35	0.93	23.62	1.29	32.77	0.81	20.57	0.22	5.56
10	10S, 10SL	0.94	23.88	1.02	25.91	1.38	35.05	0.87	22.10	0.26	6.71
12	12, 12S	1.12	28.45	1.21	30.73	1.57	39.88	0.93	23.62	0.34	8.74
14	14, 14S	1.19	30.23	1.27	32.26	1.63	41.40	1.00	25.40	0.46	11.68
16	16, 16S	1.44	36.58	1.42	36.07	1.78	45.21	1.06	26.92	0.55	13.84
18	18	1.56	39.62	1.53	38.86	1.89	48.01	1.23	31.24	0.62	15.62
20	20	1.69	42.93	1.65	41.91	2.01	51.05	1.30	33.02	0.70	17.73
22	22	1.75	44.45	1.78	45.21	2.14	54.36	1.36	34.54	0.78	19.81
24	24	1.88	47.75	1.90	48.26	2.26	57.40	1.42	36.07	0.85	21.59
28	28	2.12	53.85	2.20	55.88	2.72	69.09	1.63	41.40	0.95	24.13
32	32	2.50	63.50	2.27	57.66	2.79	70.87	1.86	47.24	1.02	25.78
36	36	2.62	66.55	2.39	60.71	2.91	73.91	1.98	50.29	1.19	30.15
40	40	2.68	68.07	2.52	64.01	3.04	77.22	2.10	53.34	1.22	30.99
44	44	3.00	76.20	2.77	70.36	3.29	83.57	2.36	59.94	1.50	38.10
48	48	3.50	88.90	2.89	73.41	3.41	86.61	2.48	62.99	1.63	41.28

Connector Group - K

Straight, 90°



### MIL Part Number

M85049 / 49 - 2S 16 W

MIL Series

Slash sheet  
49-2: Straight  
47 : 90deg

Finish:  
See Table-2

Dash Number:  
See Table-A

Coupling:  
S :Self lock  
" " :Non self lock

MIL PART NUMBER DESIGNATOR	CONNECTOR SHELL SIZE SE - II / I	A DIA. (MAX)		B DIA. (MAX)		C (MAX)		D (MAX)		E (MAX)		F (MAX)	
		INCH	MM	INCH	MM	INCH	MM	INCH	MM	INCH	MM	INCH	MM
08	8 / 9	0.75	19.05	0.86	21.82	0.91	23.11	0.85	21.59	1.10	27.94	1.15	29.21
10	10 / 11	0.85	21.59	0.98	24.99	0.91	23.11	0.90	22.86	1.10	27.94	1.15	29.21
12	12 / 13	1.00	25.40	1.16	29.36	1.01	25.65	1.10	27.94	1.20	30.48	1.25	31.75
14	14 / 15	1.10	27.94	1.28	32.54	1.06	26.92	1.15	29.21	1.25	31.75	1.30	33.02
16	16 / 17	1.25	31.75	1.41	35.71	1.16	29.46	1.30	33.02	1.36	34.44	1.40	35.56
18	18 / 19	1.40	35.56	1.52	38.51	1.41	35.81	1.50	38.10	1.60	40.64	1.65	41.91
20	20 / 21	1.50	38.10	1.64	41.68	1.51	38.35	1.60	40.64	1.70	43.21	1.75	44.45
22	22 / 23	1.65	41.91	1.77	44.86	1.66	42.16	1.70	43.18	1.85	46.99	1.90	48.26
24	24 / 25	1.75	44.45	1.89	48.03	1.76	44.70	1.80	45.72	1.95	49.56	2.00	50.80

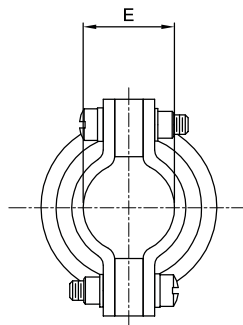
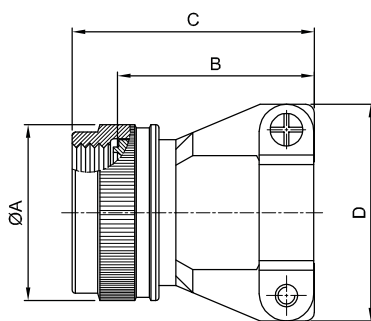
Table Continued

TABLE - A

MIL PART NUMBER DESIGNATOR	CONNECTOR SHELL SIZE	J (MAX)		K (MAX)		CABLE ENTRY			
		INCH	MM	INCH	MM	MIN		MAX	
						INCH	MM	INCH	MM
DASH NO									
8	8 / 9	1.38	35.05	1.00	25.40	0.10	2.49	0.23	5.94
10	10 / 11	1.38	35.05	1.10	27.94	0.15	3.89	0.23	5.94
12	12 / 13	1.46	37.08	1.10	27.94	0.19	4.83	0.33	8.33
14	14 / 15	1.63	41.40	1.25	31.75	0.26	6.60	0.46	11.61
16	16 / 17	1.80	45.72	1.30	33.02	0.28	7.19	0.61	15.60
18	18 / 19	1.82	46.23	1.35	34.29	0.33	8.26	0.63	16.10
20	20 / 21	1.90	48.26	1.60	40.64	0.34	8.71	0.70	17.73
22	22 / 23	2.04	51.82	1.75	44.45	0.38	9.68	0.82	20.90
24	24 / 25	2.15	54.61	1.85	46.99	0.42	10.62	0.85	21.67

Connector Group - K

Straight



### MIL PART NUMBER

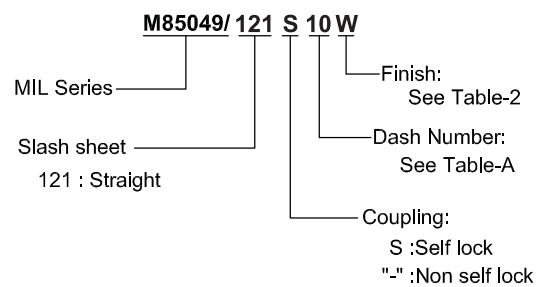
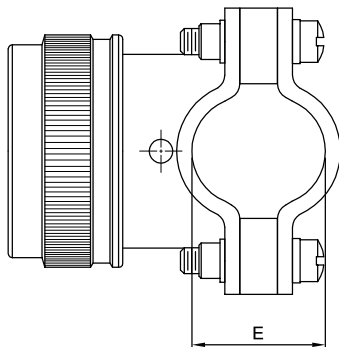
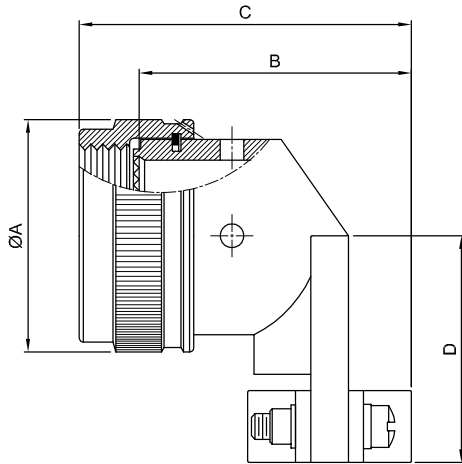


TABLE – A

MIL PART NUMBER DESIGNATOR	CONNECTOR SHELL SIZE	A DIA.( MAX )		B LENGTH		C.( MAX )		D DIA.( MAX )		E. ( CLOSED )	
		INCH	MM	INCH	MM	INCH	MM	INCH	MM	±.031	±.787
08	08	0.86	21.79	0.77/0.51	19.56/12.95	1.01	25.65	0.88	22.35	0.22	5.56
10	10	0.98	24.99	0.89/0.64	22.61/16.26	1.13	28.70	0.94	23.88	0.26	6.71
12	12	1.16	29.39	1.01/0.76	25.65/19.30	1.25	31.75	1.12	28.45	0.34	8.74
14	14	1.28	32.49	1.01/0.76	25.65/19.30	1.25	31.75	1.19	30.23	0.46	11.68
16	16	1.41	35.71	1.13/0.88	28.70/22.35	1.37	34.80	1.44	36.58	0.55	13.84
18	18	1.52	38.51	1.38/1.13	35.05/28.70	1.62	41.15	1.56	39.62	0.62	15.62
20	20	1.64	41.71	1.51/1.25	38.35/31.75	1.75	44.45	1.69	42.93	0.69	17.53
22	22	1.77	44.91	1.62/1.38	41.15/35.05	1.87	47.50	1.75	44.45	0.78	19.81
24	24	1.87	47.47	1.76/1.51	44.70/38.35	2.00	50.80	1.88	47.75	0.85	21.59



**MIL PART NUMBER**

**M85049/ 123 S 12 W**

MIL Series ——— M85049/

Slash sheet ——— 123 : 90 deg

Finish: ——— W  
See Table-2

Dash Number: ——— S  
See Table-A

Coupling: ——— S : Self lock  
"-" : Non self lock

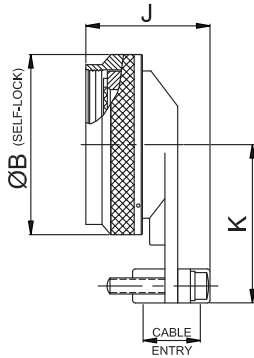
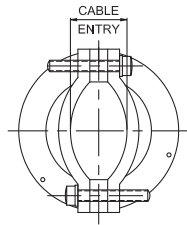
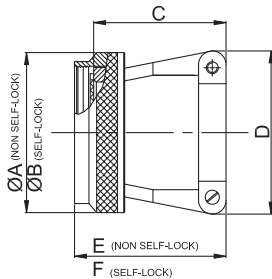
**TABLE - A**

MIL PART NUMBER DESIGNATOR	CONNECTOR SHELL SIZE	A DIA. ( MAX )		B.( MAX )		C.( MAX )		D.( MAX )		E. ( CLOSED )	
										±.031	±.787
		INCH	MM	INCH	MM	INCH	MM	INCH	MM	INCH	MM
08	8	0.86	21.79	0.86	21.84	1.10	27.94	0.81	20.57	0.22	5.56
10	10	0.98	24.99	0.94	23.88	1.18	29.97	0.87	22.10	0.26	6.71
12	12	1.16	29.39	1.14	28.96	1.38	35.05	0.93	23.62	0.34	8.74
14	14	1.28	32.49	1.20	30.48	1.44	36.58	0.99	25.15	0.46	11.68
16	16	1.41	35.71	1.34	34.04	1.58	40.13	1.06	26.92	0.55	13.84
18	18	1.52	38.51	1.46	37.08	1.70	43.18	1.23	31.24	0.62	15.62
20	20	1.64	41.71	1.58	40.13	1.82	46.23	1.30	33.02	0.70	17.73
22	22	1.77	44.91	1.71	43.43	1.95	49.53	1.36	34.54	0.78	19.81
24	24	1.87	47.47	1.83	46.48	2.07	52.58	1.42	36.07	0.85	21.59



Connector Group - L

Straight, 90°



MIL Part Number

M85049 / 38 S 15 W

MIL Series

Slash sheet  
38 : Straight  
39 : 90deg

Finish:  
See Table-2

Shell size:  
See Table-A

Coupling:  
S :Self lock  
“-“ :Non self lock

**NOTE:** \* For more cable entry and length options, contact factory

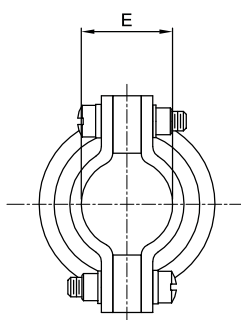
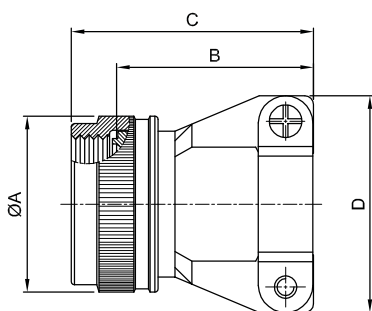
TABLE - A													
MIL PART NUMBER DESIGNATOR	CONNECTOR SHELL SIZE/CODE (REF.)	A DIA. (MAX)		B DIA. (MAX)		C (MAX)		D (MAX)		E (MAX)		F (MAX)	
		INCH	MM	INCH	MM	INCH	MM	INCH	MM	INCH	MM	INCH	MM
9	09 / A	0.75	19.05	0.86	21.82	0.91	23.11	0.85	21.59	1.10	27.94	1.21	30.73
11	11 / B	0.85	21.59	0.98	24.99	0.91	23.11	0.90	22.86	1.10	27.94	1.21	30.73
13	13 / C	1.00	25.40	1.16	29.36	1.01	25.65	1.10	27.94	1.20	30.48	1.31	33.27
15	15 / D	1.10	27.94	1.28	32.54	1.06	26.92	1.15	29.21	1.25	31.75	1.35	34.29
17	17 / E	1.25	31.75	1.41	35.71	1.16	29.46	1.30	33.02	1.36	34.44	1.45	36.83
19	19 / F	1.40	35.56	1.52	38.51	1.41	35.81	1.50	38.10	1.60	40.64	1.71	43.43
21	21 / G	1.50	38.10	1.64	41.68	1.51	38.35	1.60	40.64	1.70	43.21	1.81	45.97
23	23 / H	1.65	41.91	1.77	44.86	1.66	42.16	1.70	43.18	1.85	46.99	1.95	49.53
25	25 / J	1.75	44.45	1.89	48.03	1.76	44.70	1.80	45.72	1.95	49.56	2.05	52.07

Table Continued

TABLE - A									
MIL PART NUMBER DESIGNATOR	CONNECTOR SHELL SIZE/CODE (REF.)	J (MAX)		K (MAX)		CABLE ENTRY			
		CONNECTOR SHELL SIZE	INCH	MM	INCH	MM	MIN		MAX
INCH	MM						INCH	MM	
09	09 / A	1.31	33.27	1.00	25.40	0.10	2.49	0.23	5.94
11	11 / B	1.31	33.27	1.10	27.94	0.15	3.89	0.23	5.94
13	13 / C	1.51	38.35	1.10	27.94	0.19	4.83	0.33	8.33
15	15 / D	1.55	39.37	1.25	31.75	0.26	6.60	0.46	11.61
17	17 / E	1.71	43.43	1.30	33.02	0.28	7.19	0.61	15.60
19	19 / F	1.81	45.97	1.35	34.29	0.33	8.26	0.63	16.10
21	21 / G	1.95	49.53	1.60	40.64	0.34	8.71	0.70	17.73
23	23 / H	2.10	53.34	1.75	44.45	0.38	9.68	0.82	20.90
25	25 / J	2.21	56.13	1.85	46.99	0.42	10.62	0.85	21.67

Connector Group - L

Straight



### MIL PART NUMBER

**M85049/124 S 15 W**

MIL Series ————  
 Slash sheet ————  
 124 : Straight

Finish:  
 See Table-2

Shell Size:  
 See Table-A

Coupling:  
 S :Self lock  
 " " :Non self lock

MIL PART NUMBER DESIGNATOR	CONNECTOR SHELL SIZE/ CODE (REF)	A DIA.( MAX )		B LENGTH		C.( MAX )		D.( MAX )		E. ( CLOSED )	
		INCH	MM	INCH	MM	INCH	MM	INCH	MM	±.031	±.787
										INCH	MM
09	9/A	0.86	21.79	0.77/0.51	19.56/12.95	1.01	25.65	0.88	22.35	0.22	5.56
11	11/B	0.98	24.99	0.89/0.64	22.61/16.26	1.13	28.70	0.94	23.88	0.26	6.71
13	13/C	1.16	29.39	1.01/0.76	25.65/19.30	1.25	31.75	1.12	28.45	0.34	8.74
15	15/D	1.28	32.49	1.01/0.76	25.65/19.30	1.25	31.75	1.19	30.23	0.46	11.68
17	17/E	1.41	35.71	1.13/0.88	28.70/22.35	1.37	34.80	1.44	36.58	0.55	13.84
19	19/F	1.52	38.51	1.38/1.13	35.05/28.70	1.62	41.15	1.56	39.62	0.62	15.62
21	21/G	1.64	41.71	1.51/1.25	38.35/31.75	1.75	44.45	1.69	42.93	0.69	17.53
23	23/H	1.77	44.91	1.62/1.38	41.15/35.05	1.87	47.50	1.75	44.45	0.78	19.81
25	25/J	1.87	47.47	1.76/1.51	44.70/38.35	2.00	50.80	1.88	47.75	0.85	21.59

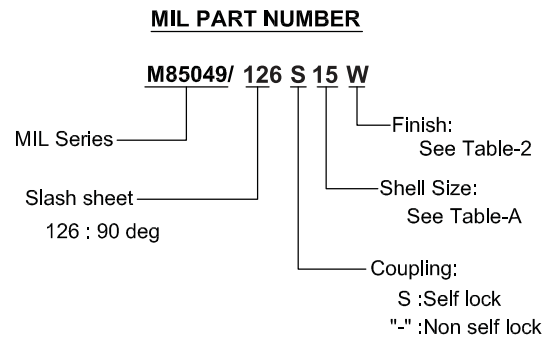
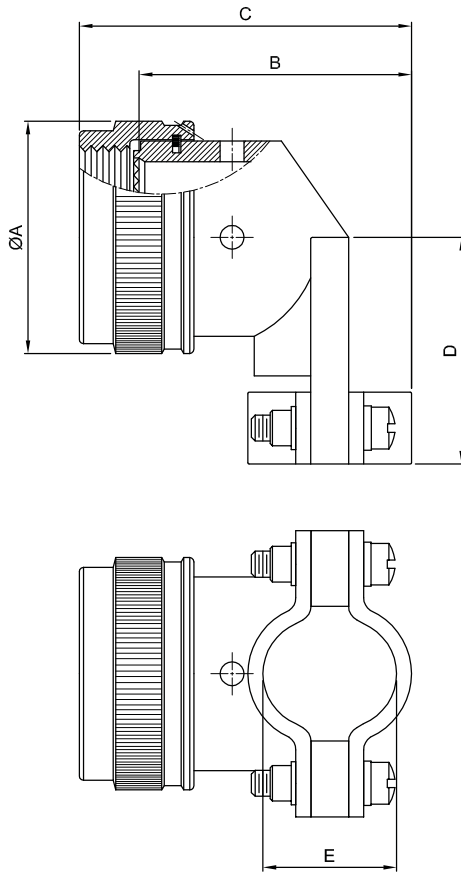


TABLE - A

MIL PART NUMBER DESIGNATOR	CONNECTOR SHELL SIZE /CODE REF	A DIA. ( MAX )		B.( MAX )		C.( MAX )		D.( MAX )		E. ( CLOSED )	
										±.031	±.787
		INCH	MM	INCH	MM	INCH	MM	INCH	MM	INCH	MM
09	9/A	0.86	21.79	0.86	21.84	1.14	28.96	0.81	20.57	0.22	5.56
11	11/B	0.98	24.99	0.94	23.88	1.22	30.99	0.87	22.10	0.26	6.71
13	13/C	1.16	29.39	1.14	28.96	1.42	36.07	0.93	23.62	0.34	8.74
15	15/D	1.28	32.49	1.20	30.48	1.48	37.59	0.99	25.15	0.46	11.68
17	17/E	1.41	35.71	1.34	34.04	1.62	41.15	1.09	27.69	0.55	13.84
19	19/F	1.52	38.51	1.46	37.08	1.74	44.20	1.23	31.24	0.62	15.62
21	21/G	1.64	41.71	1.58	40.13	1.86	47.24	1.30	33.02	0.70	17.73
23	23/H	1.77	44.91	1.71	43.43	1.99	50.55	1.36	34.54	0.78	19.81
25	25/J	1.87	47.47	1.83	46.48	2.11	53.59	1.42	36.07	0.85	21.59

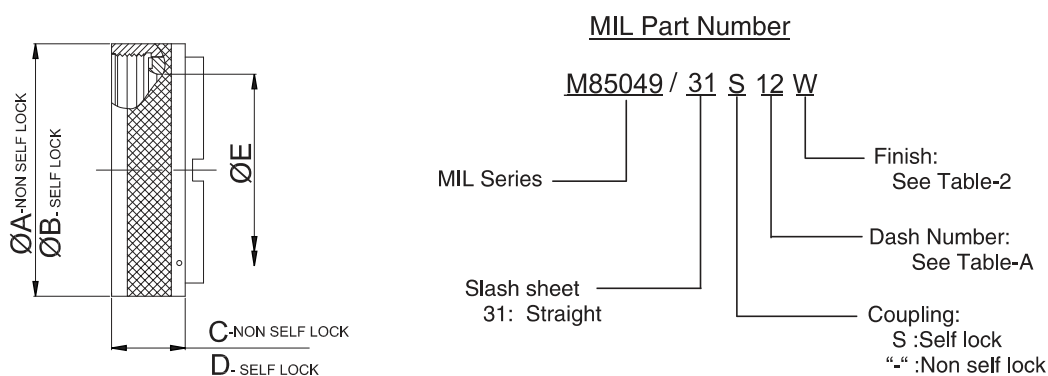
# GROMMET NUT



Amphenol Back Nut provide a good grommet-holding force for the crimp Connector, when expensive and heavy back shells are not used. Such holding force is essential to hold the contacts and grommet in place when terminated with wire bundles.

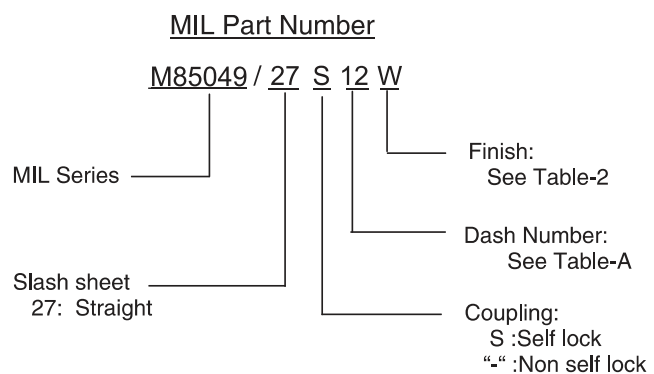
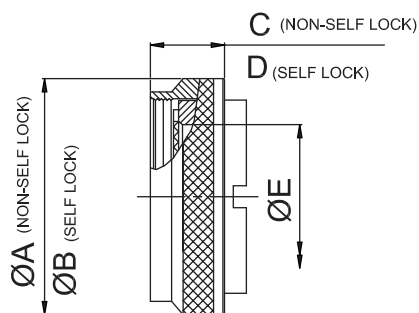
For Connector Group		Page No.
J	→	XI-1
K	→	XI-2
L	→	XI-3

**Note:** For Connector group Identification refer Table 1 - A, B, C, D (Page 7-11) and for Material / Plating Finish, Refer Table-2 (Page 12)



NOTE: \* Slot shown in figure is optional for Non self-lock

TABLE - A											
MIL PART NUMBER DESIGNATOR	CONNECTOR SHELL SIZE	A DIA. (MAX)		B DIA. (MAX)		C (MAX)		D (MAX)		E (MAX)	
		INCH	MM	INCH	MM	INCH	MM	INCH	MM	INCH	MM
8	8	0.62	15.67	0.89	22.48	0.54	13.72	0.71	18.03	0.27	6.86
10	10	0.73	18.64	1.01	25.65	0.54	13.72	0.71	18.03	0.38	9.53
12	7/12	0.86	21.79	1.14	28.83	0.54	13.72	0.71	18.03	0.51	12.98
14	12/14	0.98	24.99	1.26	32.00	0.54	13.72	0.71	18.03	0.59	14.86
16	19/16	1.11	28.24	1.39	35.18	0.54	13.72	0.71	18.03	0.71	18.03
18	27/18	1.22	30.94	1.51	38.35	0.54	13.72	0.71	18.03	0.79	20.04
20	37/20	1.35	34.16	1.64	41.53	0.54	13.72	0.71	18.03	0.91	23.22
22	22	1.47	37.29	1.76	44.70	0.54	13.72	0.71	18.03	1.04	26.39
24	24	1.59	40.46	1.89	47.88	0.54	13.72	0.71	18.03	1.15	29.31
28	28	1.97	50.01	2.14	54.23	0.70	17.83	0.89	22.61	1.39	35.28
32	32	2.22	56.36	2.40	60.83	0.70	17.83	0.89	22.61	1.64	41.53
36	36	2.47	62.71	2.64	66.93	0.70	17.83	0.89	22.61	1.85	46.99
40	40	2.72	69.06	2.89	73.28	0.70	17.83	0.89	22.61	2.07	52.45
44	44	2.97	75.41	3.14	79.63	0.70	17.83	0.89	22.61	2.32	58.93
48	48	3.22	81.76	3.39	85.98	0.70	17.83	0.89	22.61	2.57	65.28

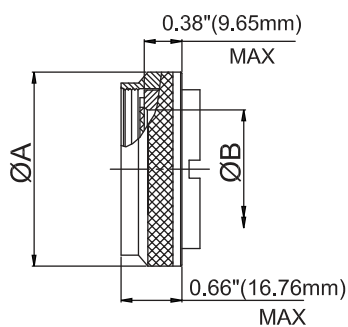


NOTE: \* Slot shown in figure is optional for Non self-lock

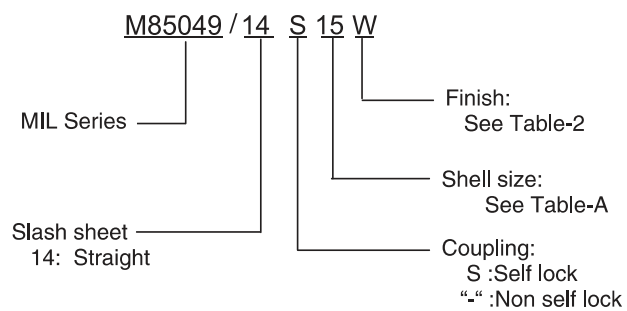
TABLE - A											
MIL PART NUMBER DESIGNATOR	CONNECTOR SHELL SIZE SE - II / I	A DIA. (MAX)		B DIA. (MAX)		C (MAX)		D (MAX)		E DIA. (MAX)	
		INCH	MM	INCH	MM	INCH	MM	INCH	MM	INCH	MM
8	8 / 9	0.75	19.05	0.86	21.82	0.54	13.72	0.59	14.99	0.27	6.86
10	10 / 11	0.85	21.59	0.98	24.99	0.54	13.72	0.59	14.99	0.41	10.41
12	12 / 13	1.00	25.40	1.16	29.36	0.54	13.72	0.59	14.99	0.53	13.46
14	14 / 15	1.10	27.94	1.28	32.54	0.54	13.72	0.59	14.99	0.65	16.51
16	16 / 17	1.25	31.75	1.41	35.71	0.54	13.72	0.59	14.99	0.78	19.81
18	18 / 19	1.40	35.56	1.52	38.51	0.54	13.72	0.59	14.99	0.88	22.35
20	20 / 21	1.50	38.10	1.64	41.68	0.54	13.72	0.59	14.99	1.01	25.65
22	22 / 23	1.65	41.91	1.77	44.86	0.54	13.72	0.59	14.99	1.13	28.70
24	24 / 25	1.75	44.45	1.89	48.03	0.54	13.72	0.59	14.99	1.26	32.00

Connector Group - L

Straight



MIL Part Number



**NOTE:** \* Slot shown in figure is optional for Non self-lock

TABLE - A					
MIL PART NUMBER DESIGNATOR	CONNECTOR SHELL SIZE/CODE (REF.)	A DIA. (MAX)		B DIA. (MIN)	
		INCH	MM	INCH	MM
9	09 / A	0.86	21.79	0.26	6.71
11	11 / B	0.98	24.99	0.39	9.91
13	13 / C	1.16	29.39	0.50	12.80
15	15 / D	1.28	32.49	0.63	16.00
17	17 / E	1.41	35.71	0.76	19.20
19	19 / F	1.52	38.51	0.84	21.41
21	21 / G	1.64	41.71	0.97	24.64
23	23 / H	1.77	44.91	1.09	27.71
25	25 / J	1.89	47.98	1.22	30.91



## APPENDIX - 1

CROSS REFERENCE TO MIL SERIES		
MIL SERIES	AMPHENOL SERIES	PAGE
M85049/ 6	BV1BRJ	IV-5
M85049/ 7	BE1BRJ	II-8
M85049/ 8	BV1ARJ	IV-5
M85049/ 9	BE1ARJ	II-8
M85049/10	BV1SRJ	IV-1
M85049/11	BE1SRJ	II-1
M85049/14	BG1SRL	XII-3
M85049/15	BQ1BRL	X-3
M85049/16	BQ1ARL	X-3
M85049/17	BV1SDK	IV-9
M85049/18	BV1SRL	IV-14
M85049/19	BM1SRL	III-13
M85049/20	BC2SRL	VI-5
M85049/21	BN1SRL	I-12
M85049/23	BM1BRJ	III-4
M85049/24	BM1ARJ	III-4
M85049/25	BM1SRJ	III-1
M85049/26-1	BC2SRJ	VI-1
M85049/26-2	BC3XXX	VI-1
M85049/26-3	BC1SRJ	VI-1
M85049/27	BG1SRK	XII-2
M85049/29	BN1SDK	I-7
M85049/31	BG1SRJ	XII-1
M85049/33-2	BC2SRK	VI-3
M85049/36	BM1SDK	III-8
M85049/38	BS1SRL	XI-5
M85049/39	BS1ARL	XI-5
M85049/42	-	-
M85049/43	BS1BRJ	XI-1
M85049/47	BS1ARK	XI-3
M85049/49-2	BS1SRK	XI-3
M85049/51	BS1ARJ	XI-1
M85049/52	BS1SRJ	XI-1
M85049/53	BQ1SRJ	X-1
M85049/54	BQ1BRJ	X-1
M85049/55	BQ1ARJ	X-1
M85049/56	BQ1SRK	X-2
M85049/57	BQ1BRK	X-2
M85049/60-1	BB1SRJ	V-1
M85049/60-2	BB2SRJ	-
M85049/62	BB1SRK	V-3
M85049/63	BQ1ARK	X-2
M85049/69	BB1SRL	V-5
M85049/76	BV1ARK	IV-12
M85049/77	BV1BRK	IV-12
M85049/78	BV1BRL	IV-18
M85049/79	BV1ARL	IV-18
M85049/82	BL1SSJ	VII-1
M85049/83	BL1BSJ	VII-1
M85049/84	BL1ASJ	VII-1
M85049/85	BL1SSK	VII-2
M85049/86	BL1BSK	VII-2
M85049/87	BL1ASK	VII-2
M85049/88	BL1SSL	VII-3

CROSS REFERENCE TO MIL SERIES		
MIL SERIES	AMPHENOL SERIES	PAGE
M85049/89	BL1BSL	VII-3
M85049/90	BL1ASL	VII-3
M85049/109	BH1SRJ	VIII-1
M85049/111	BH1ARJ	VIII-1
M85049/112	BH1SRK	VIII-3
M85049/114	BH1ARK	VIII-3
M85049/115	BH1SRL	VIII-5
M85049/117	BH1ARL	VIII-5

**NOTE:** QPL Qualification status of each item shown in this catalogue may be changing and therefore please check with us or refer "Qualified Product List" to know our exact qualification status at any time. A valid offer for a MIL part Number at any time from Amphenol will only constitute our claim of approval validity.

# CONTACTS

## NORTH AMERICA

### Sales & Product support

Amphenol PCD  
72 Cherry Hill Drive  
Beverly, MA 01915 USA  
Tel: +1-978-624-3400  
Fax: +1-978-927-1513  
info@amphenolpcd.com  
www.amphenolpcd.com  
Www.backshellworld.com

Amphenol Aerospace Operations  
40-60, Delaware Avenue  
Sidney, NY 13838-1395  
Tel: +1-607-563-5011  
Fax: +1-607-563-5357

Amphenol Canada  
Meford Drive  
Scarborough, ON M1B 2X6  
Tel: +416-291-4401  
Fax: +416-292-0647

Amphenol Fiber Systems International  
1300 Central Expressway North  
Suite 100 Allen, Texas 75013, USA  
Tel: +1-214-547-2400  
Fax: +1-214-547-9344

---

## EUROPE

### France

Amphenol Socapex S.A.S.  
948, Promenade de l'Arve  
Bp29, Thyez Cedex  
74311, France  
Tel: +33-4-5089-2800  
Fax: +33-4-5096-1941

### United Kingdom

Amphenol Limited  
Thanet Way, Whitstable  
Kent CT5 3JF, England  
Tel: +44-1227-773-200  
Fax: 44-1227-276-571

### Germany

Amphenol-Air LB GmbH  
Am Kleinbahnhof 4  
Saarlouis  
D-66740, Germany  
Tel: 49-6831-9810-00  
Fax: 49-6831-9810-30

### Amphenol Air-LB

Immeuble Le Doublon  
11, Avenue Dobonnet  
Courbevoise-Cedex  
92407, France  
Ph: +33-1-4905-3000  
Fax: +33-1-4905-3043

### Italy

Via Barbaiana 5  
20020 Lainate (Milano)  
Italy  
Tel :+39-02-93254.209  
+39-02-93254.214  
Fax:+39-02-93254-444

### Spain

Amphenol Iberica  
Edificio Burgoso Oficina N 55  
C/Comunidad de Madrid 35  
bis - Las Rozas (Madrid)  
Tel: +34-91-6407302  
+34-91-6407306  
Fax:+34-91-6407307

### Holland

Amphenol Benelux  
Zadelmaker 121  
NL-2401 PD Alphen aan den Rijn  
Holland  
Tel:+31-172-444903  
Fax:+31-172 240254

### Sweden

Amphenol-(Nordic&Baltic)  
Ängsullsvägen 7  
S-187 51 Täby.  
Sweden  
Tel: +46-85-1051816  
+46-76-8418600  
Fax: +46-70- 2634677  
+46-70-2203197

### Center & East Europe

Amphenol  
Wiener Gasse 68  
2380 Perchtoldsdorf  
Tel: +43-699-10396071  
Fax: +43 699 40396071

## ASIA

### India

Amphenol Interconnect India Pvt. Ltd.  
61 Electronics City  
Bangalore-560 100, India  
Ph: +9180-2852-3838  
Fax: +9180-2852-0418

Amphenol Interconnect India Pvt Ltd  
105 Bhosari Industrial Area  
Pune-411026, India  
Tel: +9120-3068-8305  
Fax: +9120-2712-9158

### Japan

Amphenol Japan  
471-1, Deba, Ritto City  
Shiga 520-3041, Japan  
Tel: +81-77-553-8501  
Fax: +81-77-551-2200

### China

Amphenol PCD Shenzhen  
3/F Building, A4 Songbai  
Industrial Park  
East Road of Minghuan  
Gongming Town, Baon District  
Shenzhen, China  
Tel: +86-755-8173-8000  
Fax: +86-755-8173-8180

### Singapore

Amphenol East Asia Ltd.  
72 Bendemeer Road  
# 03-33 Luzerne  
Singapore 339 941  
Tel: 65-6294-2128  
Fax: 65-6294-3522

### Korea

Amphenol Daeshin Electronics  
558 SoSa, SongNae, Bucheon-City  
Kyunggi-Do, Korea 420-130  
Tel: +82-32-610-3800  
Fax: +92-32-673-2507

---

## ROW

### Australia

Amphenol Australia Pty Ltd  
2 Fiveways Boulevard  
Keysborough  
VIC 3173  
Ph: +61-3-8796-8888  
Fax: +61-3-8796-8801

### Africa

Amphenol South Africa  
30 Impala Road  
2196 Sandton-Chistlehurst  
South Africa  
Tel: +27-11-783-9517  
Fax: +27-11-783-9519

### Russia

Amphenol Russia  
8-2 Yaroslavskaja Str  
129164 Moscow, Russia  
Tel: +7-495-937-6341  
Fax: +7-495-937-6319

### Poland

Amphenol Poland

### Maslak

34396 Istanbul  
Tel: +90-212-335-2501  
Fax: +90-212-335-2500

### Israel

Bar-Tec Ltd.  
P.O. Box 279  
Kfar Sava, 44102 Israel  
Tel: +972-9-7644100  
Fax: +972-9-7674324

### Brasil

Amphenol do Brasil Ltda  
Rua Diogo Moreira 132  
CEP 05423-010  
Sao Paulo-SP, Brazil  
Tel: +55-11-3815-1003  
Fax: +55-11-3815-1629

### Argentina

Amphenol Argentina  
Avenida Callao 930  
2<sup>nd</sup> Floor, Office B Plaza  
C1023AAP Buenos Aires  
Argentina  
Tel: 54-11-4815-6886  
Fax: 54-11-4814-5779

Sales & Product Support (Worldwide)

Email: [sales@backshellworld.com](mailto:sales@backshellworld.com) Website: [www.backshellworld.com](http://www.backshellworld.com)

# Amphenol

A Global Company



To design your own Backshell  
log on to  
**[www.backshellworld.com](http://www.backshellworld.com)**  
email: [sales@backshellworld.com](mailto:sales@backshellworld.com)