

1766198-1 ✓ ACTIVE

ELCON | ELCON Drawer

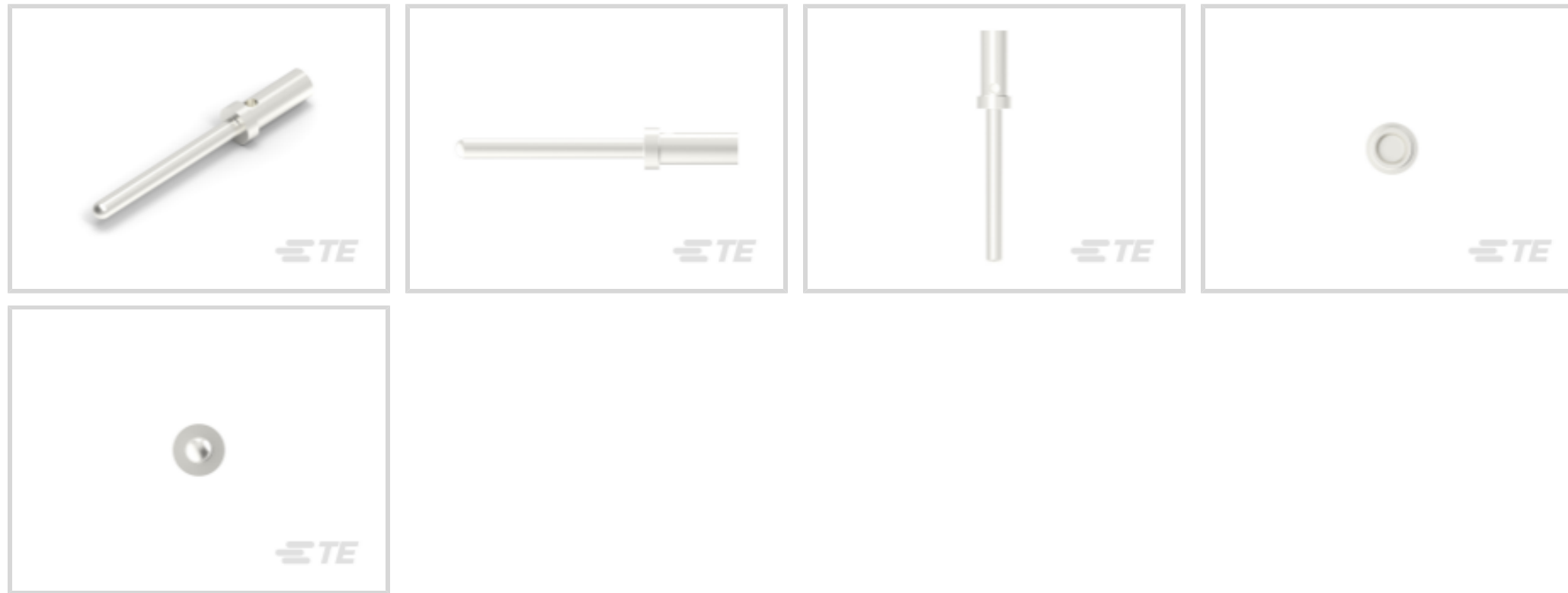
TE Internal #: 1766198-1

Pin Contact, Silver, Size 12 Contact Size, 20 – 16 AWG Wire Size,  
Crimp, Copper, Power, -67 – 221 °F [-55 – 105 °C], ELCON Drawer

[View on TE.com >](#)



Connectors > Contacts > Connector Contacts



Contact Type: **Pin**

Contact Mating Area Plating Material: **Silver**

Wire Contact Termination Area Plating Material: **Silver**

Contact Retention Within Housing: **Without**

Contact Size: **Size 12**

## Features

### Contact Features

Mating Pin Diameter	1.57 mm[.062 in]
Contact Underplating Material Thickness	1.27 µm[50 µin]
Wire Contact Termination Area Plating Thickness	5.08 µm[200 µin]
Wire Contact Termination Area Plating Material Finish	Bright
Contact Mating Area Plating Material Thickness	5 µm[200 µin]
Contact Orientation	Straight
Contact Underplating Material	Nickel
Contact Type	Pin
Contact Mating Area Plating Material	Silver
Wire Contact Termination Area Plating Material	Silver
Contact Retention Within Housing	Without
Contact Size	Size 12
Contact Base Material	Copper
Contact Current Rating (Max)	35 A

### Termination Features



Termination Method to Wire & Cable	Crimp
Product Terminates To	Wire & Cable

**Mechanical Attachment**

Wire Insulation Support	Without
-------------------------	---------

**Dimensions**

Wire Size	20 – 16 AWG
-----------	-------------

**Usage Conditions**

Operating Temperature Range	-55 – 105 °C[-67 – 221 °F]
-----------------------------	----------------------------

**Operation/Application**

Circuit Application	Power
---------------------	-------

**Packaging Features**

Packaging Quantity	500
Packaging Method	Bag

**Product Compliance**

[For compliance documentation, visit the product page on TE.com>](#)

EU RoHS Directive 2011/65/EU	Compliant
EU ELV Directive 2000/53/EC	Compliant
China RoHS 2 Directive MIIT Order No 32, 2016	No Restricted Materials Above Threshold
EU REACH Regulation (EC) No. 1907/2006	Current ECHA Candidate List: JAN 2024 (240) Candidate List Declared Against: JAN 2024 (240) Does not contain REACH SVHC
Halogen Content	Low Halogen - Br, Cl, F, I < 900 ppm per homogenous material. Also BFR/CFR/PVC Free
Solder Process Capability	Not applicable for solder process capability

Product Compliance Disclaimer

This information is provided based on reasonable inquiry of our suppliers and represents our current actual knowledge based on the information they provided. This information is subject to change. The part numbers that TE has identified as EU RoHS compliant have a maximum concentration of 0.1% by weight in homogenous materials for lead, hexavalent chromium, mercury, PBB, PBDE, DBP, BBP, DEHP, DIBP, and 0.01% for cadmium, or qualify for an exemption to these limits as defined in the Annexes of Directive 2011/65/EU (RoHS2). Finished electrical and electronic equipment products will be CE marked as required by Directive 2011/65/EU. Components may not be CE marked. Additionally, the part numbers that TE has identified as EU ELV compliant have a maximum concentration of 0.1% by weight in homogenous materials for lead, hexavalent chromium, and mercury, and 0.01% for cadmium, or qualify for an exemption to these limits as defined in the Annexes of Directive 2000/53/EC (ELV). Regarding the REACH Regulation, the information TE provides

on SVHC in articles for this part number is based on the latest European Chemicals Agency (ECHA) 'Guidance on requirements for substances in articles' posted at this URL: <https://echa.europa.eu/guidance-documents/guidance-on-reach>

### Compatible Parts



TE Part # 6648319-1  
CONTACT,SKT

### Also in the Series | ELCON Drawer



Connector Contacts(35)



Connector Hardware(2)



Rectangular Power Connectors(32)

### Customers Also Bought



TE Part #102387-5  
24 MODIV HSG COMP DR .100 POL



TE Part #102387-4  
20 MODIV HSG COMP DR .100 POL



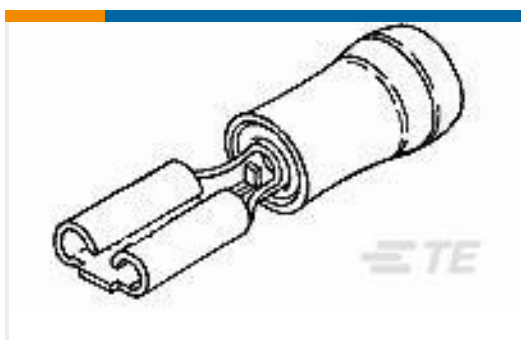
TE Part #102387-3  
16 MODIV HSG COMP DR .100 POL



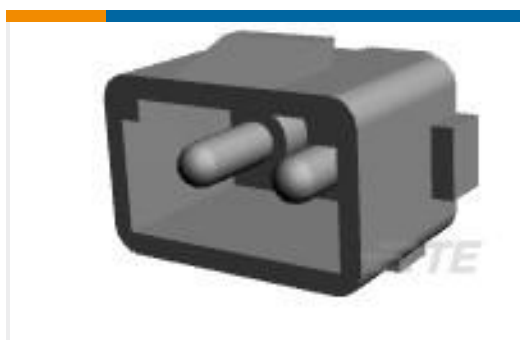
TE Part #1393194-7  
T77S1D10-05



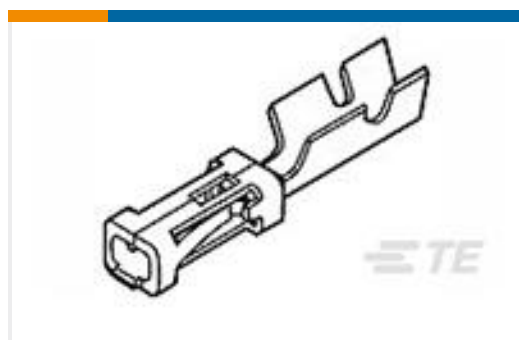
TE Part #640900-1  
05P UMNL PIN HDR ASSY 94VO



TE Part #165619-2  
110 PIDG FASTON REC



TE Part #350539-1  
02P CMNL HDR ASSY SHORT NATL



TE Part #5-103171-4  
MOD IV RECP PLTD 30 DPLX LF

### Documents

Product Drawings



## CONTACT,PIN,#16

English

---

### CAD Files

#### 3D PDF

3D

#### Customer View Model

[ENG\\_CVM\\_CVM\\_1766198-1\\_E.2d\\_dxf.zip](#)

English

#### Customer View Model

[ENG\\_CVM\\_CVM\\_1766198-1\\_E.3d\\_igs.zip](#)

English

#### Customer View Model

[ENG\\_CVM\\_CVM\\_1766198-1\\_E.3d\\_stp.zip](#)

English

By downloading the CAD file I accept and agree to the [Terms and Conditions](#) of use.

---

### Datasheets & Catalog Pages

[POWER\\_CONNECTORS\\_CATALOG\\_SEC02\\_CABLE\\_MOUNTED](#)

English

[AMP & ELCON Power Connector Layout Forms Datasheet 6-1773444-7](#)

English

---

### Product Specifications

[Application Specification](#)

English