



Connectors > Connector Accessories > Connector Hardware



Hardware Accessory Function: **Guide Hardware**

Connector Hardware Accessory Type: **Guide Pin Kit**

Primary Product Material: **Stainless Steel**

Operating Temperature (Max): **125 °C [257 °F]**

Operating Temperature Range: **-65 – 125 °C [-65 – 257 °F]**

Features

Product Type Features

Hardware Accessory Function	Guide Hardware
Connector Hardware Accessory Type	Guide Pin Kit

Body Features

Primary Product Material	Stainless Steel
--------------------------	-----------------

Mechanical Attachment

Product Plating Finish	Passivated
------------------------	------------

Dimensions

Thread Length	10.79 mm [.425 in]
---------------	--------------------

Usage Conditions

Operating Temperature (Max)	125 °C [257 °F]
Operating Temperature Range	-65 – 125 °C [-65 – 257 °F]

Product Compliance

[For compliance documentation, visit the product page on TE.com>](#)

EU RoHS Directive 2011/65/EU	Compliant
------------------------------	-----------



EU ELV Directive 2000/53/EC	Compliant
China RoHS 2 Directive MIIT Order No 32, 2016	No Restricted Materials Above Threshold
EU REACH Regulation (EC) No. 1907/2006	Current ECHA Candidate List: JAN 2024 (240) Candidate List Declared Against: JAN 2024 (240) Does not contain REACH SVHC
Halogen Content	Low Halogen - Br, Cl, F, I < 900 ppm per homogenous material. Also BFR/CFR/PVC Free
Solder Process Capability	Not applicable for solder process capability

Product Compliance Disclaimer

This information is provided based on reasonable inquiry of our suppliers and represents our current actual knowledge based on the information they provided. This information is subject to change. The part numbers that TE has identified as EU RoHS compliant have a maximum concentration of 0.1% by weight in homogenous materials for lead, hexavalent chromium, mercury, PBB, PBDE, DBP, BBP, DEHP, DIBP, and 0.01% for cadmium, or qualify for an exemption to these limits as defined in the Annexes of Directive 2011/65/EU (RoHS2). Finished electrical and electronic equipment products will be CE marked as required by Directive 2011/65/EU. Components may not be CE marked. Additionally, the part numbers that TE has identified as EU ELV compliant have a maximum concentration of 0.1% by weight in homogenous materials for lead, hexavalent chromium, and mercury, and 0.01% for cadmium, or qualify for an exemption to these limits as defined in the Annexes of Directive 2000/53/EC (ELV). Regarding the REACH Regulation, the information TE provides on SVHC in articles for this part number is based on the latest European Chemicals Agency (ECHA) 'Guidance on requirements for substances in articles' posted at this URL: <https://echa.europa.eu/guidance-documents/guidance-on-reach>

Compatible Parts

TE Part # 532939-1
HDI HDW - OCTAG NUT

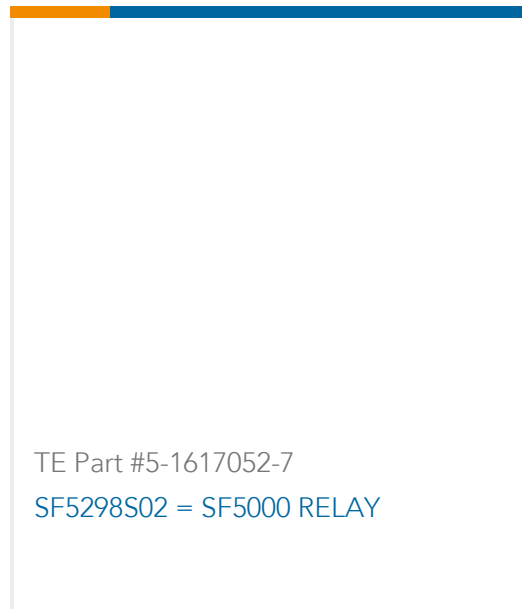
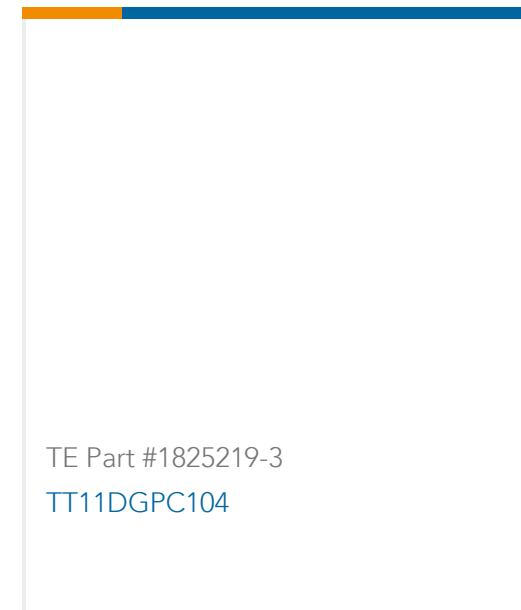
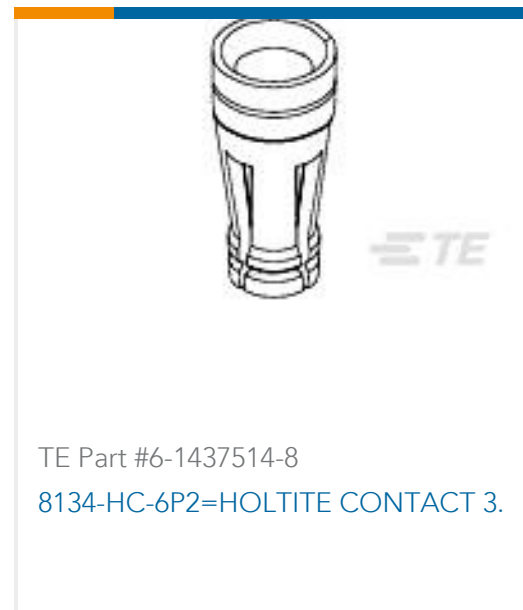
Customers Also Bought

TE Part #5294130001
TMS-SCE Military Grade Sleeves

TE Part #305183
EXTRACT TOOL TYPE 2.20-16

TE Part #5-146130-1
04 MODII HDR DRST SFMNT B/A LF

TE Part #532430-9
HDI PIN ASSY 2 ROW 100 POS



Documents

Product Drawings

HDI GUIDE PIN KIT

English

CAD Files

3D PDF

3D

Customer View Model

[ENG_CVM_CVM_532808-1_L.2d_dxf.zip](#)

English

Customer View Model

[ENG_CVM_CVM_532808-1_L.3d_igs.zip](#)

English

Customer View Model

[ENG_CVM_CVM_532808-1_L.3d_stp.zip](#)

English

By downloading the CAD file I accept and agree to the [Terms and Conditions](#) of use.

Product Specifications

Application Specification

English

Instruction Sheets

Instruction Sheet (U.S.)

Japanese

Instruction Sheet (U.S.)

English



AMP-HDI CONNECTOR JACKSCREW HARDWARE KITS, GUIDE PINS, AND GUIDE PIN

English