

5-100526-6 ✓ ACTIVE

Z-PACK | Z-PACK 2mm HM

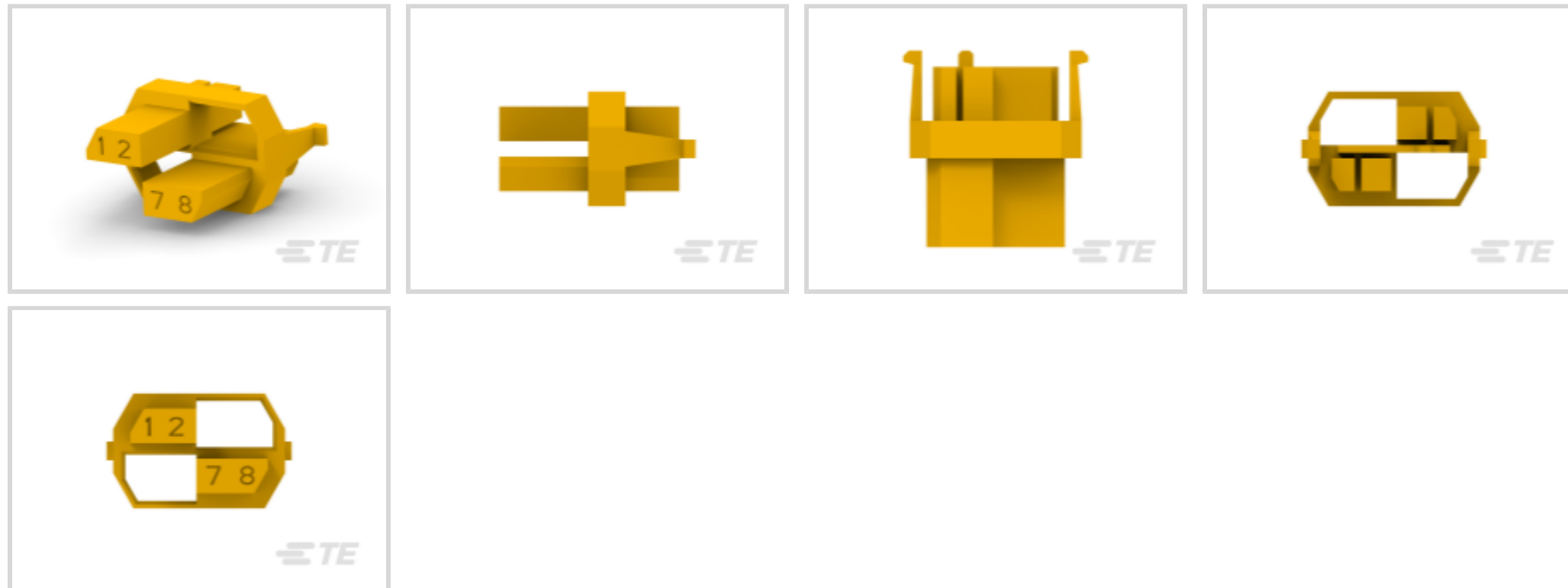
TE Internal #: 5-100526-6

Coding Key, Cadmium Yellow, Z-PACK 2mm HM

[View on TE.com >](#)



Connectors > Connector Accessories > Connector Hardware



Hardware Accessory Function: **Coding & Keying**

Connector Hardware Accessory Type: **Coding Key**

Primary Product Color: **Cadmium Yellow**

## Features

### Product Type Features

Hardware Accessory Function	Coding & Keying
Connector Hardware Accessory Type	Coding Key

### Body Features

Connector & Keying Code	1278
Primary Product Color	Cadmium Yellow

### Usage Conditions

Compatible With Connector Style	Receptacle
---------------------------------	------------

### Packaging Features

Packaging Quantity	500
Packaging Method	Bag

## Product Compliance

[For compliance documentation, visit the product page on TE.com>](#)

EU RoHS Directive 2011/65/EU	Compliant
EU ELV Directive 2000/53/EC	Compliant
China RoHS 2 Directive MIIT Order No 32, 2016	No Restricted Materials Above Threshold

EU REACH Regulation (EC) No. 1907/2006

Current ECHA Candidate List: JAN 2024 (240)

Candidate List Declared Against: JAN 2024 (240)

Does not contain REACH SVHC

Halogen Content

Low Halogen - Br, Cl, F, I < 900 ppm per homogenous material. Also BFR/CFR/PVC Free

Solder Process Capability

Not applicable for solder process capability

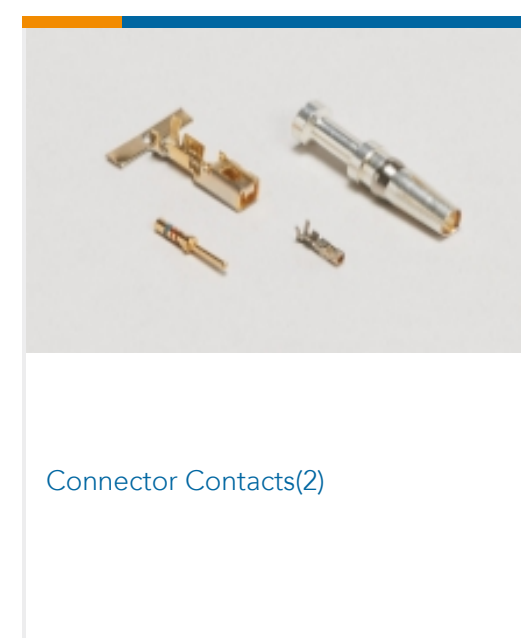
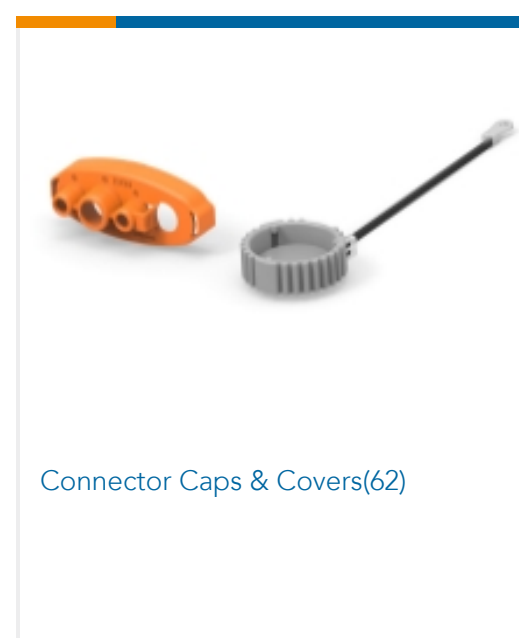
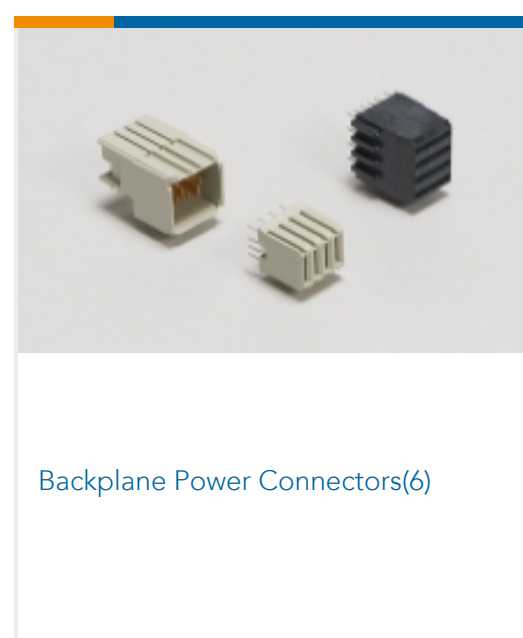
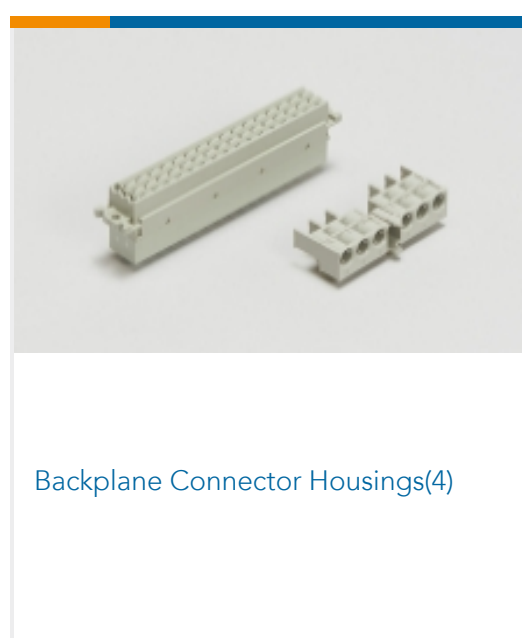
Product Compliance Disclaimer

This information is provided based on reasonable inquiry of our suppliers and represents our current actual knowledge based on the information they provided. This information is subject to change. The part numbers that TE has identified as EU RoHS compliant have a maximum concentration of 0.1% by weight in homogenous materials for lead, hexavalent chromium, mercury, PBB, PBDE, DBP, BBP, DEHP, DIBP, and 0.01% for cadmium, or qualify for an exemption to these limits as defined in the Annexes of Directive 2011/65/EU (RoHS2). Finished electrical and electronic equipment products will be CE marked as required by Directive 2011/65/EU. Components may not be CE marked. Additionally, the part numbers that TE has identified as EU ELV compliant have a maximum concentration of 0.1% by weight in homogenous materials for lead, hexavalent chromium, and mercury, and 0.01% for cadmium, or qualify for an exemption to these limits as defined in the Annexes of Directive 2000/53/EC (ELV). Regarding the REACH Regulation, the information TE provides on SVHC in articles for this part number is based on the latest European Chemicals Agency (ECHA) 'Guidance on requirements for substances in articles' posted at this URL: <https://echa.europa.eu/guidance-documents/guidance-on-reach>

## Compatible Parts

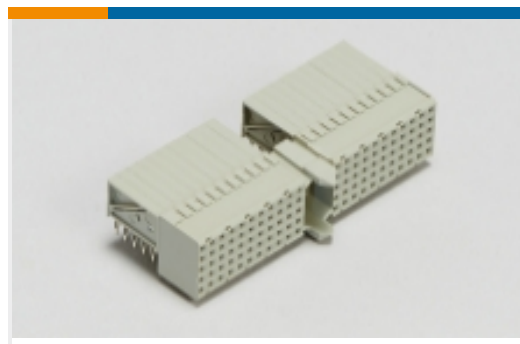


## Also in the Series | Z-PACK 2mm HM

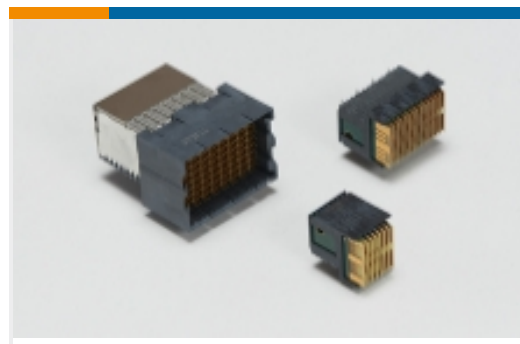




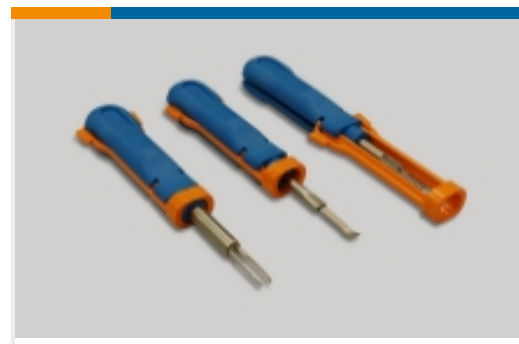
Connector Hardware(97)



Hard Metric Backplane Connectors (267)



High Speed Backplane Connectors(1)

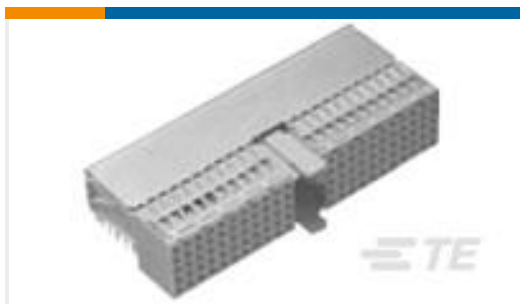


Insertion & Extraction Tools(2)

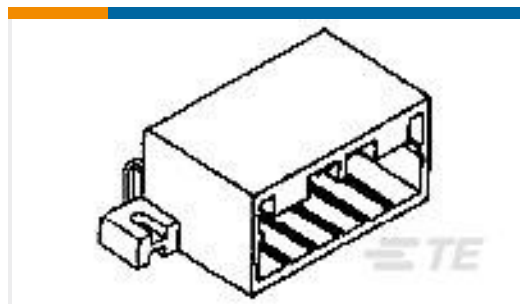


Rectangular Power Connectors(87)

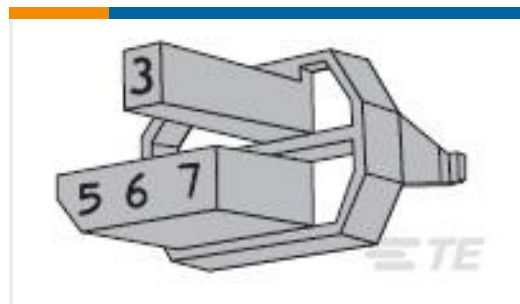
## Customers Also Bought



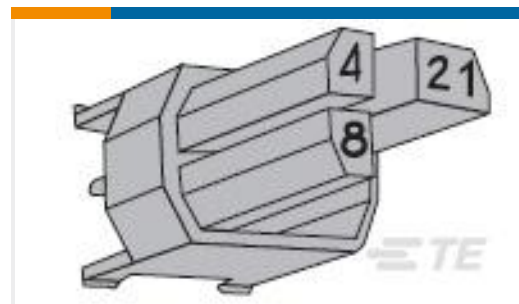
TE Part # 5352068-1  
Z-PACK/A RAF 110P



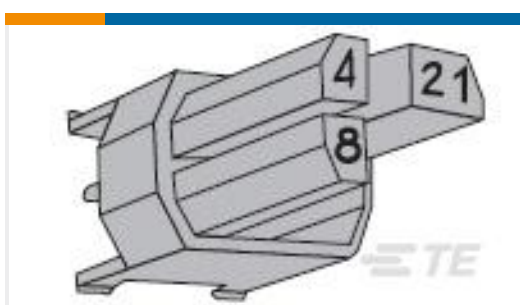
TE Part # 175783-1  
070 MLC CAP H ASSY SGL 6P NAT.



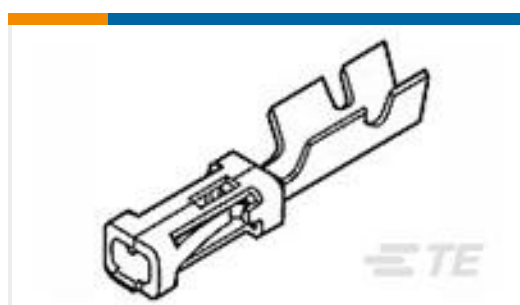
TE Part # 5-100526-4  
CODING DEV INSRT COLOR GREEN



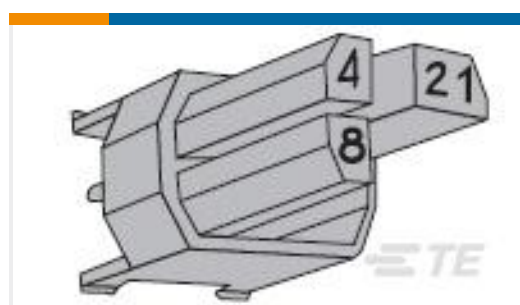
TE Part # 2-100525-0  
Z-PACK M.CODING KEY



TE Part # 5-100525-4  
CODING DEV INSRT COLOR GREEN



TE Part # 6-102316-4  
MOD IV RECP LP LF



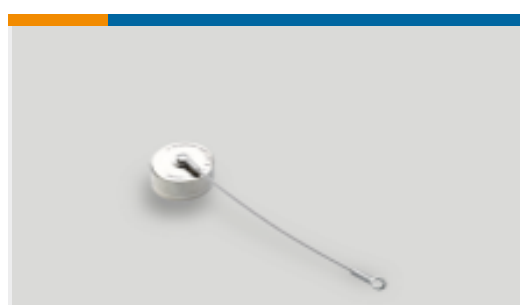
TE Part # 100525-9  
Z-PACK M.CODING KEY



TE Part # 5177984-5  
0.8FH,P05H.5,120,08/Sn,TU



TE Part # 2-6609006-6  
1EJT8=F8141



TE Part # YDTS33T13NV0010000  
CAP ASSEMBLY

## Documents



## Product Drawings

### Z-PACK F.CODING KEY

English

---

## CAD Files

### 3D PDF

3D

#### Customer View Model

[ENG\\_CVM\\_CVM\\_5-100526-6\\_E.2d\\_dxf.zip](#)

English

#### Customer View Model

[ENG\\_CVM\\_CVM\\_5-100526-6\\_E.3d\\_igs.zip](#)

English

#### Customer View Model

[ENG\\_CVM\\_CVM\\_5-100526-6\\_E.3d\\_stp.zip](#)

English

By downloading the CAD file I accept and agree to the [Terms and Conditions](#) of use.

---

## Product Specifications

### Application Specification

English