

5-100525-4 ✓ ACTIVE

Z-PACK | Z-PACK 2mm HM

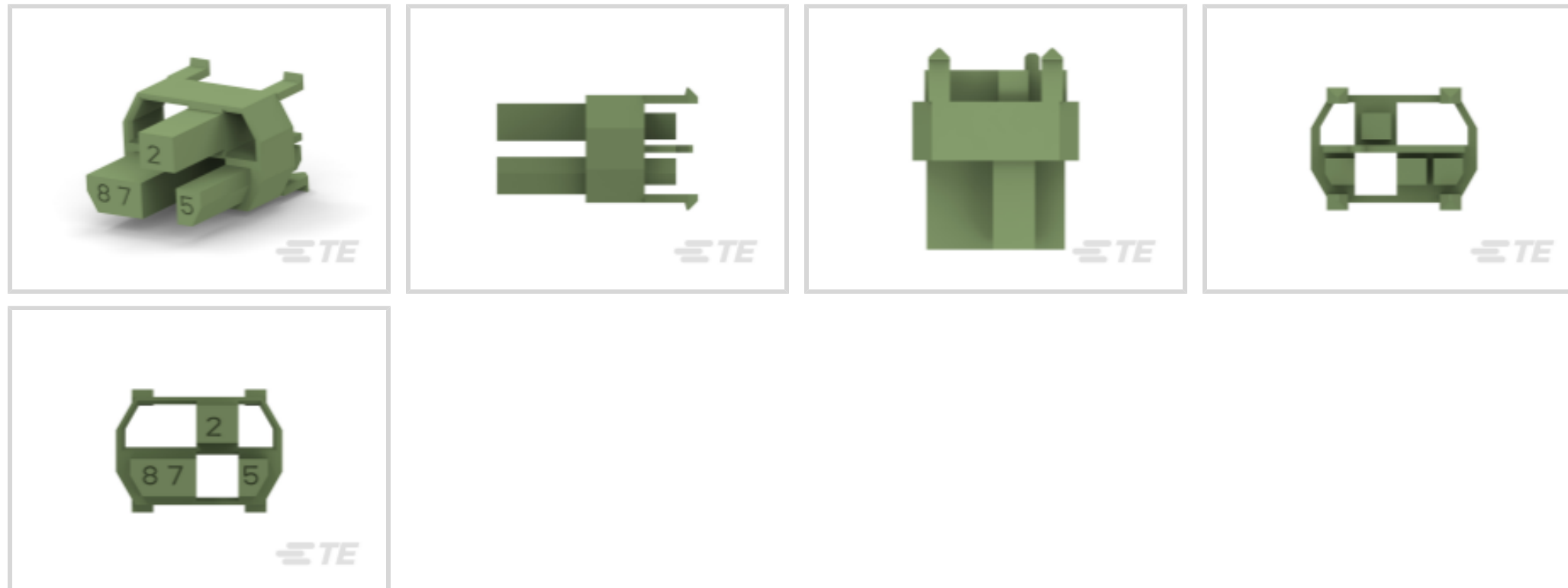
TE Internal #: 5-100525-4

Coding Key, Reseda Green, Z-PACK 2mm HM

[View on TE.com >](#)



Connectors > Connector Accessories > Connector Hardware



Hardware Accessory Function: **Coding & Keying**

Connector Hardware Accessory Type: **Coding Key**

Primary Product Color: **Reseda Green**

Features

Product Type Features

Hardware Accessory Function	Coding & Keying
Connector Hardware Accessory Type	Coding Key

Body Features

Connector & Keying Code	2578
Primary Product Color	Reseda Green

Usage Conditions

Compatible With Connector Style	Plug
---------------------------------	------

Packaging Features

Packaging Quantity	500
Packaging Method	Bag

Product Compliance

[For compliance documentation, visit the product page on TE.com>](#)

EU RoHS Directive 2011/65/EU	Compliant
EU ELV Directive 2000/53/EC	Compliant
China RoHS 2 Directive MIIT Order No 32, 2016	No Restricted Materials Above Threshold

EU REACH Regulation (EC) No. 1907/2006

Current ECHA Candidate List: JAN 2024
(240)

Candidate List Declared Against: JAN 2024
(240)

Does not contain REACH SVHC

Halogen Content

Low Halogen - Br, Cl, F, I < 900 ppm per homogenous material. Also BFR/CFR/PVC Free

Solder Process Capability

Not applicable for solder process capability

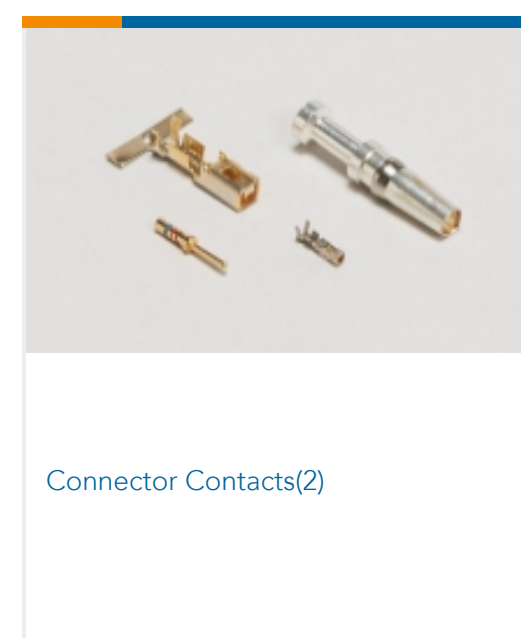
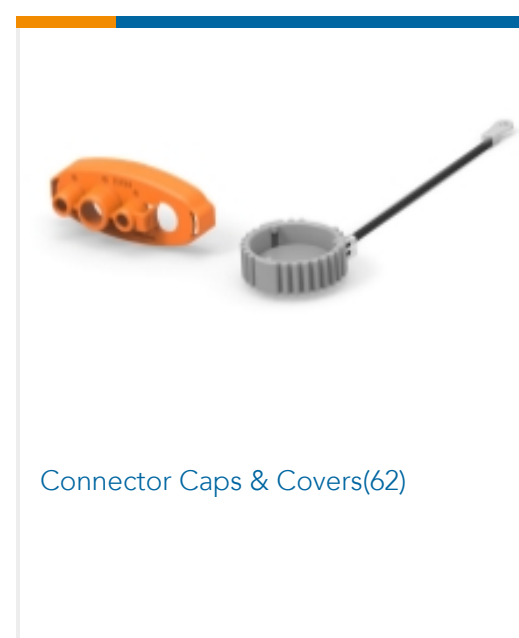
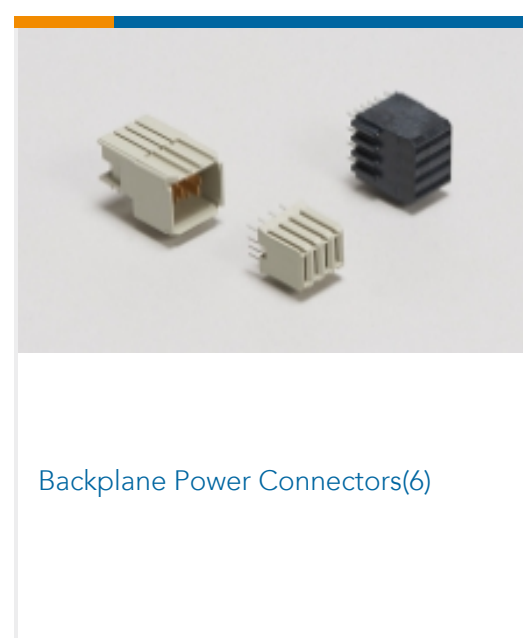
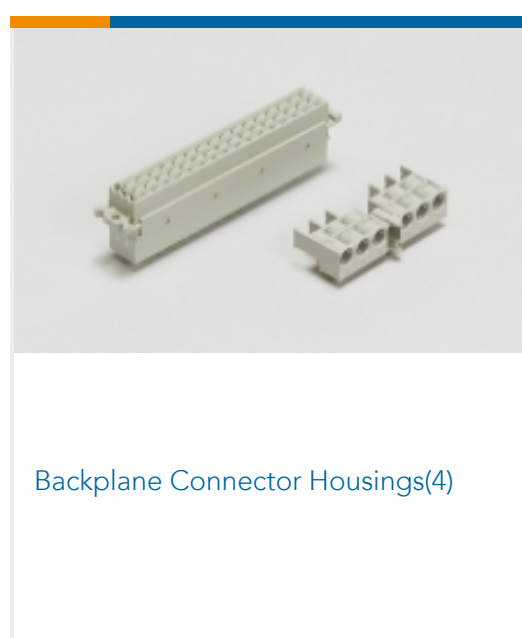
Product Compliance Disclaimer

This information is provided based on reasonable inquiry of our suppliers and represents our current actual knowledge based on the information they provided. This information is subject to change. The part numbers that TE has identified as EU RoHS compliant have a maximum concentration of 0.1% by weight in homogenous materials for lead, hexavalent chromium, mercury, PBB, PBDE, DBP, BBP, DEHP, DIBP, and 0.01% for cadmium, or qualify for an exemption to these limits as defined in the Annexes of Directive 2011/65/EU (RoHS2). Finished electrical and electronic equipment products will be CE marked as required by Directive 2011/65/EU. Components may not be CE marked. Additionally, the part numbers that TE has identified as EU ELV compliant have a maximum concentration of 0.1% by weight in homogenous materials for lead, hexavalent chromium, and mercury, and 0.01% for cadmium, or qualify for an exemption to these limits as defined in the Annexes of Directive 2000/53/EC (ELV). Regarding the REACH Regulation, the information TE provides on SVHC in articles for this part number is based on the latest European Chemicals Agency (ECHA) 'Guidance on requirements for substances in articles' posted at this URL: <https://echa.europa.eu/guidance-documents/guidance-on-reach>

Compatible Parts

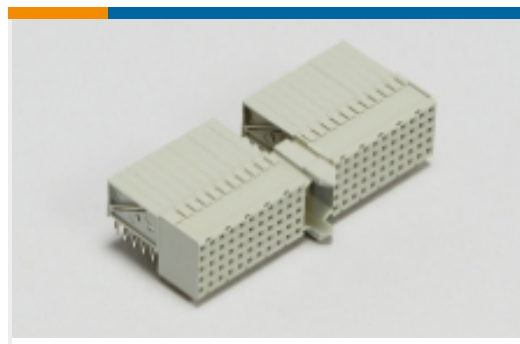


Also in the Series | Z-PACK 2mm HM

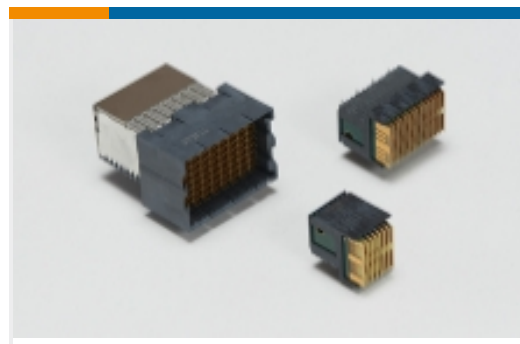




Connector Hardware(97)



Hard Metric Backplane Connectors (267)



High Speed Backplane Connectors(1)



Insertion & Extraction Tools(2)

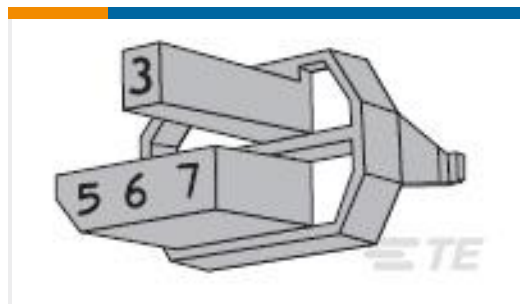


Rectangular Power Connectors(87)

Customers Also Bought



TE Part # 1623732-7
BCHE 7 W 150R 5%



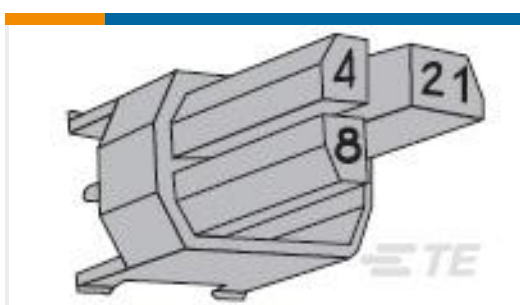
TE Part # 3-100526-2
Z-PACK F.CODING KEY



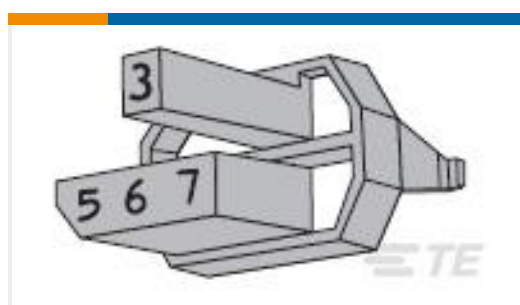
TE Part # 5-103673-4
5 MTE HDR SRRA LATCH W/HLDWN



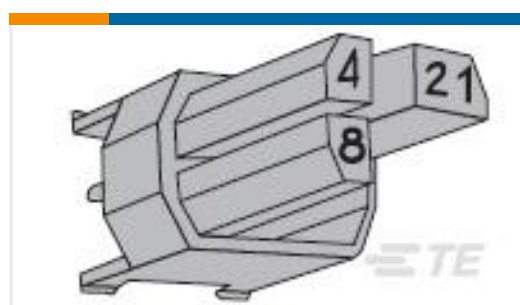
TE Part # 2-1445100-4
MICRO MNL HDR ASSY S/ROW LF



TE Part # 5-100525-6
Z-PACK M.CODING KEY



TE Part # 5-100526-6
Z-PACK F.CODING KEY



TE Part # 3-100525-2
Z-PACK M.CODING KEY



TE Part # 1878655-1
QC143



TE Part # 1878648-7
PM210OR



TE Part # 473270-E
VORCOD AUSKLINKZANGE F.
CODIERUNG STV J 1

Documents



Product Drawings

CODING DEV INSRT COLOR GREEN

English

CAD Files

3D PDF

3D

Customer View Model

[ENG_CVM_CVM_5-100525-4_C.2d_dxf.zip](#)

English

Customer View Model

[ENG_CVM_CVM_5-100525-4_C.3d_igs.zip](#)

English

Customer View Model

[ENG_CVM_CVM_5-100525-4_C.3d_stp.zip](#)

English

By downloading the CAD file I accept and agree to the [Terms and Conditions](#) of use.

Product Specifications

Application Specification

English

Application Specification

English