



Connectors > Connector Accessories > Connector Hardware



Hardware Accessory Function: **Guide Hardware**
 Connector Hardware Accessory Type: **Guide Pin Module**
 Primary Product Material: **Stainless Steel**

Features

Product Type Features

Hardware Accessory Function	Guide Hardware
Connector Hardware Accessory Type	Guide Pin Module

Body Features

Product Orientation	Vertical
Primary Product Material	Stainless Steel

Mechanical Attachment

Product Plating Finish	Passivated
Thread Size	M4 x 0.7-6G

Dimensions

Product Feature Length	25.16 mm[.99 in]
Thread Length	9.2 mm[.362 in]
Product Length	25.16 mm

Packaging Features

Packaging Quantity	1000
Packaging Method	Box

Product Compliance

[For compliance documentation, visit the product page on TE.com>](#)

EU RoHS Directive 2011/65/EU	Compliant
EU ELV Directive 2000/53/EC	Compliant
China RoHS 2 Directive MIIT Order No 32, 2016	No Restricted Materials Above Threshold



EU REACH Regulation (EC) No. 1907/2006

Current ECHA Candidate List: JAN 2024 (240)

Candidate List Declared Against: JAN 2024 (240)

Does not contain REACH SVHC

Halogen Content

Low Halogen - Br, Cl, F, I < 900 ppm per homogenous material. Also BFR/CFR/PVC Free

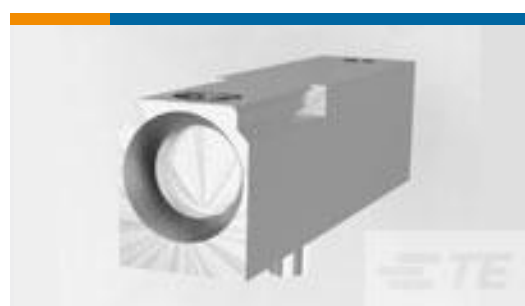
Solder Process Capability

Not applicable for solder process capability

Product Compliance Disclaimer

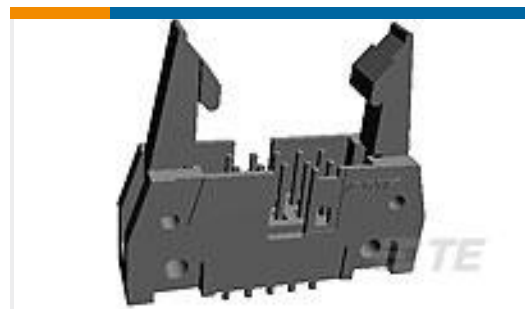
This information is provided based on reasonable inquiry of our suppliers and represents our current actual knowledge based on the information they provided. This information is subject to change. The part numbers that TE has identified as EU RoHS compliant have a maximum concentration of 0.1% by weight in homogenous materials for lead, hexavalent chromium, mercury, PBB, PBDE, DBP, BBP, DEHP, DIBP, and 0.01% for cadmium, or qualify for an exemption to these limits as defined in the Annexes of Directive 2011/65/EU (RoHS2). Finished electrical and electronic equipment products will be CE marked as required by Directive 2011/65/EU. Components may not be CE marked. Additionally, the part numbers that TE has identified as EU ELV compliant have a maximum concentration of 0.1% by weight in homogenous materials for lead, hexavalent chromium, and mercury, and 0.01% for cadmium, or qualify for an exemption to these limits as defined in the Annexes of Directive 2000/53/EC (ELV). Regarding the REACH Regulation, the information TE provides on SVHC in articles for this part number is based on the latest European Chemicals Agency (ECHA) 'Guidance on requirements for substances in articles' posted at this URL: <https://echa.europa.eu/guidance-documents/guidance-on-reach>

Compatible Parts



TE Part # 5223957-3
UPM GUIDE MODULE

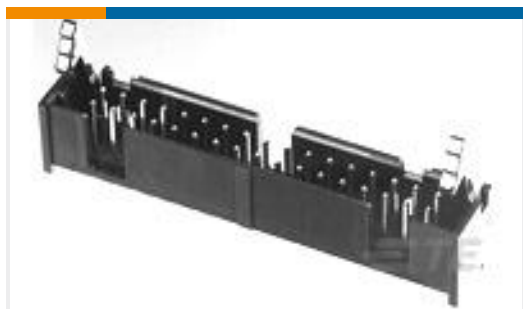
Customers Also Bought



TE Part # 5499910-1
A/L UNIV HDR 10P VERT SHT LAT



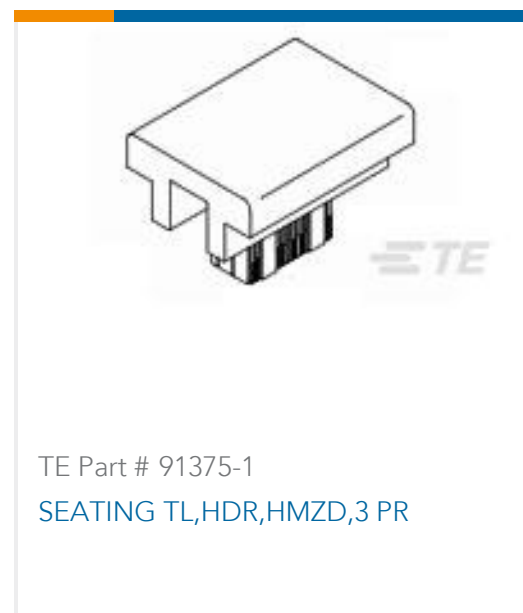
TE Part # 5223957-1
UPM GUIDE MODULE



TE Part # 2-1761606-3
IDC LOW PRO HDR 10P VERT LG LAT BLUE



TE Part # 2301995-4
RJ45 JACK INT.MAG. 1GB LED 1X1 VERT.



Documents

CAD Files

3D PDF

3D

Customer View Model

[ENG_CVM_CVM_223969-7_K.2d_dxf.zip](#)

English

Customer View Model

[ENG_CVM_CVM_223969-7_K.3d_igs.zip](#)

English

Customer View Model

[ENG_CVM_CVM_223969-7_K.3d_stp.zip](#)

English

By downloading the CAD file I accept and agree to the [Terms and Conditions](#) of use.

Datasheets & Catalog Pages

[High Speed Backplane Connectors catalog - Z-PACK HS3 Connector](#)

English

[POWER_CONNECTORS_CATALOG_SEC01_BOARD_TO_BOARD](#)

English

[2_PIECE_POWER_CONNECTORS_qrg_4-1773458-1](#)

English

Product Specifications

[Engineering Report](#)

English