



Connectors > Connector Accessories > Connector Hardware



Hardware Accessory Function: **Coding & Keying**

Connector Hardware Accessory Type: **Keying Plug**

Primary Product Color: **Natural**

Primary Product Material: **PA 66**

Operating Temperature (Max): **105 °C [ 221 °F ]**

### Features

#### Product Type Features

Hardware Accessory Function	Coding & Keying
Connector Hardware Accessory Type	Keying Plug

#### Body Features

Primary Product Color	Natural
Primary Product Material	PA 66

#### Usage Conditions

Operating Temperature (Max)	105 °C[221 °F]
Operating Temperature Range	-55 – 105 °C[-67 – 221 °F]

#### Industry Standards

UL Flammability Rating	UL 94V-2
------------------------	----------

#### Packaging Features

Packaging Quantity	1
Packaging Method	Package

### Product Compliance



[For compliance documentation, visit the product page on TE.com>](#)

EU RoHS Directive 2011/65/EU	Compliant
EU ELV Directive 2000/53/EC	Compliant
China RoHS 2 Directive MIIT Order No 32, 2016	No Restricted Materials Above Threshold
EU REACH Regulation (EC) No. 1907/2006	Current ECHA Candidate List: JAN 2024 (240) Candidate List Declared Against: JAN 2024 (240) Does not contain REACH SVHC
Halogen Content	Low Halogen - Br, Cl, F, I < 900 ppm per homogenous material. Also BFR/CFR/PVC Free
Solder Process Capability	Not applicable for solder process capability

Product Compliance Disclaimer

This information is provided based on reasonable inquiry of our suppliers and represents our current actual knowledge based on the information they provided. This information is subject to change. The part numbers that TE has identified as EU RoHS compliant have a maximum concentration of 0.1% by weight in homogenous materials for lead, hexavalent chromium, mercury, PBB, PBDE, DBP, BBP, DEHP, DIBP, and 0.01% for cadmium, or qualify for an exemption to these limits as defined in the Annexes of Directive 2011/65/EU (RoHS2). Finished electrical and electronic equipment products will be CE marked as required by Directive 2011/65/EU. Components may not be CE marked. Additionally, the part numbers that TE has identified as EU ELV compliant have a maximum concentration of 0.1% by weight in homogenous materials for lead, hexavalent chromium, and mercury, and 0.01% for cadmium, or qualify for an exemption to these limits as defined in the Annexes of Directive 2000/53/EC (ELV). Regarding the REACH Regulation, the information TE provides on SVHC in articles for this part number is based on the latest European Chemicals Agency (ECHA) 'Guidance on requirements for substances in articles' posted at this URL: <https://echa.europa.eu/guidance-documents/guidance-on-reach>

### Compatible Parts

<p>TE Part # CAT-AM71-C83998J Cable/Panel Mount Connector, CPC Series 1</p>	<p>TE Part # CAT-AM71-C83998CC CPC Connector Housing, Series 4</p>
---	--

### Customers Also Bought



TE Part #206708-1  
CPC PLUG ASSEMBLY SIZE 13-9



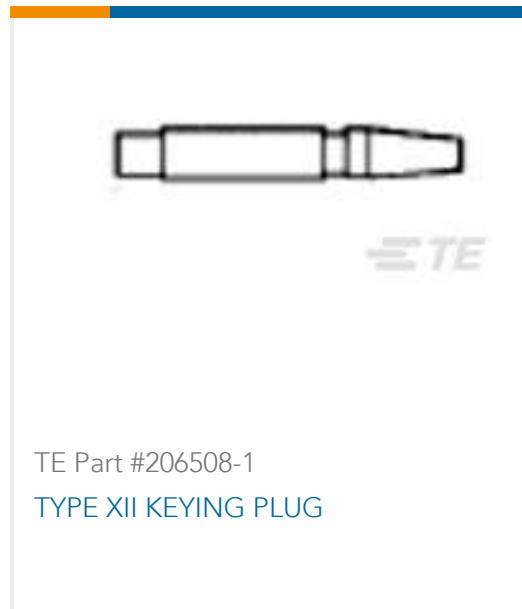
TE Part #206966-7  
CABLE SHELL CLAMP SIZE 13



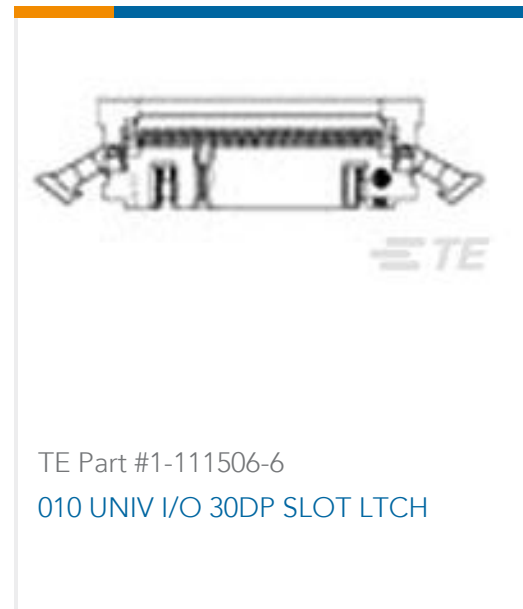
TE Part #206430-1  
RECPT, SZ 11-4, CPC



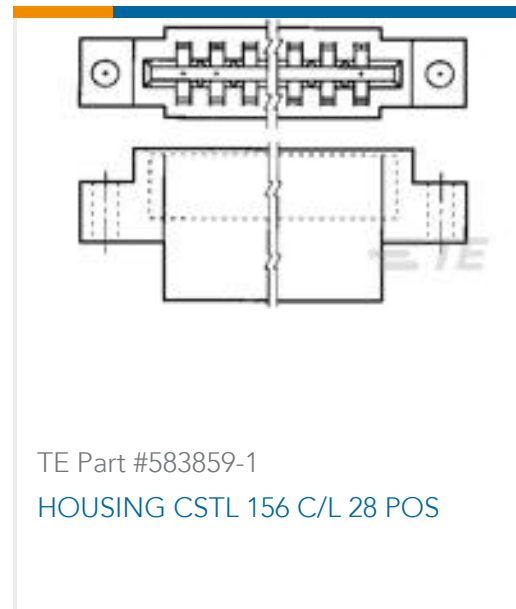
TE Part #3-641238-2  
02P MTA100 CONN ASSY NATL 30AU



TE Part #206508-1  
TYPE XII KEYING PLUG



TE Part #1-111506-6  
010 UNIV I/O 30DP SLOT LTCH



TE Part #583859-1  
HOUSING CSTL 156 C/L 28 POS



TE Part #5-456135-0  
CRIMPER, INSULATION "O" (.100")



TE Part #734360-1  
HANDTOOL (HDD-22)



TE Part #11102671-00  
2000 PSI, 1/4MNPT, 0-5V, Mini DIN  
43650C

## Documents

### Product Drawings

#### CMNL KEYING PLUG

English

### CAD Files

#### 3D PDF

3D

#### Customer View Model

[ENG\\_CVM\\_CVM\\_200821-1\\_M.2d\\_dxf.zip](#)

English

#### Customer View Model

[ENG\\_CVM\\_CVM\\_200821-1\\_M.3d\\_igs.zip](#)

English

#### Customer View Model

[ENG\\_CVM\\_CVM\\_200821-1\\_M.3d\\_stp.zip](#)

English

By downloading the CAD file I accept and agree to the [Terms and Conditions](#) of use.

### Datasheets & Catalog Pages



[M\\_SERIES\\_PIN\\_AND\\_SOCKET\\_CONNECTORS](#)

English

[SOFT\\_SHELL\\_PIN\\_SOCKET\\_CONNECTORS\\_STANDARD\\_DENSITY](#)

English

---

[Instruction Sheets](#)

[Instruction Sheet \(U.S.\)](#)

English