

1643279-1 ✓ ACTIVE



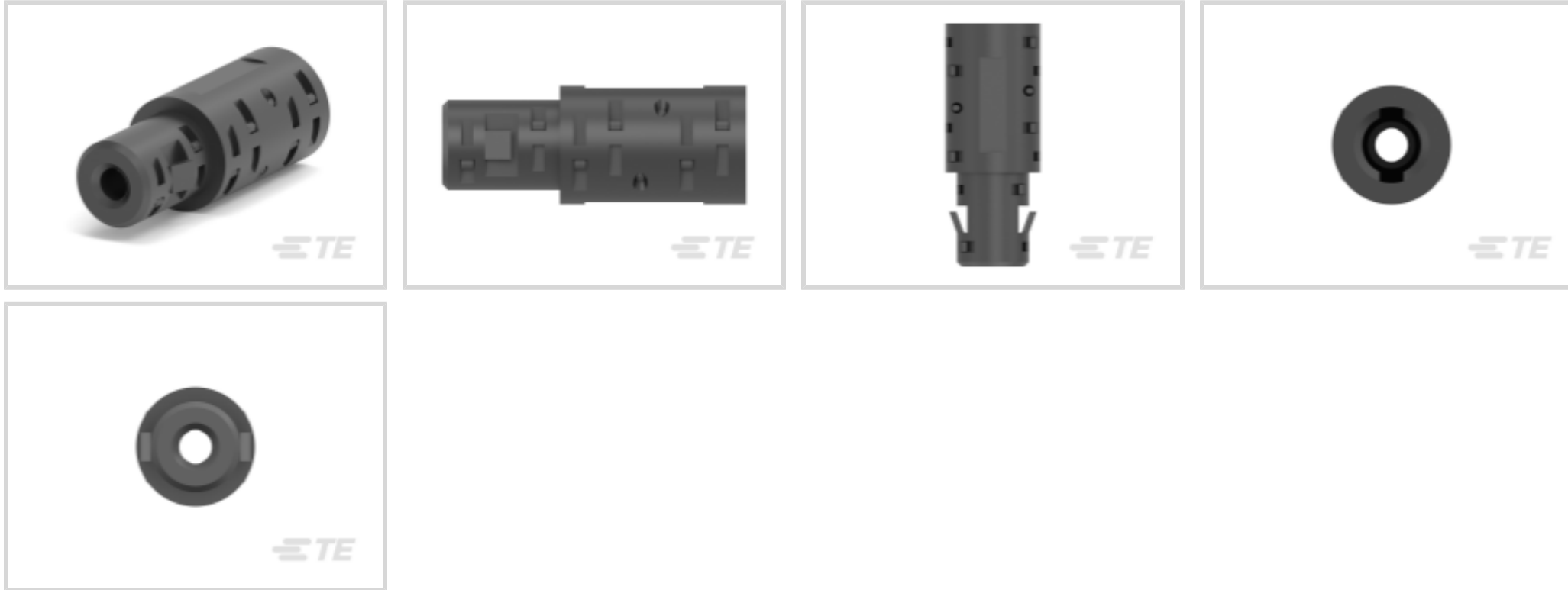
RAPID LOCK

TE Internal #: 1643279-1

Busbar Connectors, Wire-to-Bus Bar, Wire & Cable, Thermoplastic, Black, Vertical, Copper Alloy

[View on TE.com >](#)

Connectors > Power Connectors > Busbar Connectors



Connector System: **Wire-to-Bus Bar**

Connector & Contact Terminates To: **Wire & Cable**

Housing Material: **Thermoplastic**

Housing Color: **Black**

PCB Mount Orientation: **Vertical**

Features

Product Type Features

|                                   |                 |
|-----------------------------------|-----------------|
| Connector System                  | Wire-to-Bus Bar |
| Connector & Contact Terminates To | Wire & Cable    |

Configuration Features

|                       |          |
|-----------------------|----------|
| PCB Mount Orientation | Vertical |
|-----------------------|----------|

Electrical Characteristics

|                   |         |
|-------------------|---------|
| Operating Voltage | 250 VAC |
|-------------------|---------|

Body Features

|                                  |      |
|----------------------------------|------|
| Bus Bar Contact Plating Material | Gold |
|----------------------------------|------|

Contact Features

|                              |              |
|------------------------------|--------------|
|                              | 30 $\mu$ m   |
| Contact Base Material        | Copper Alloy |
| Contact Current Rating (Max) | 50 A         |

Housing Features

|                  |               |
|------------------|---------------|
| Housing Material | Thermoplastic |
|------------------|---------------|



Housing Color Black

**Dimensions**

Wire Size 6 AWG

**Product Compliance**

[For compliance documentation, visit the product page on TE.com>](#)

|   |   |
|---|---|
| EU RoHS Directive 2011/65/EU                  | Compliant   |
| EU ELV Directive 2000/53/EC                   | Compliant   |
| China RoHS 2 Directive MIIT Order No 32, 2016 | No Restricted Materials Above Threshold   |
| EU REACH Regulation (EC) No. 1907/2006        | Current ECHA Candidate List: JAN 2024 (240)<br>Candidate List Declared Against: JAN 2021 (211)<br>Does not contain REACH SVHC |
| Halogen Content                               | Low Halogen - Br, Cl, F, I < 900 ppm per homogenous material. Also BFR/CFR/PVC Free   |
| Solder Process Capability                     | Not applicable for solder process capability  |

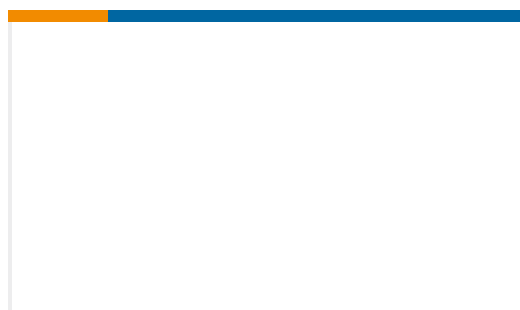
**Product Compliance Disclaimer**

This information is provided based on reasonable inquiry of our suppliers and represents our current actual knowledge based on the information they provided. This information is subject to change. The part numbers that TE has identified as EU RoHS compliant have a maximum concentration of 0.1% by weight in homogenous materials for lead, hexavalent chromium, mercury, PBB, PBDE, DBP, BBP, DEHP, DIBP, and 0.01% for cadmium, or qualify for an exemption to these limits as defined in the Annexes of Directive 2011/65/EU (RoHS2). Finished electrical and electronic equipment products will be CE marked as required by Directive 2011/65/EU. Components may not be CE marked. Additionally, the part numbers that TE has identified as EU ELV compliant have a maximum concentration of 0.1% by weight in homogenous materials for lead, hexavalent chromium, and mercury, and 0.01% for cadmium, or qualify for an exemption to these limits as defined in the Annexes of Directive 2000/53/EC (ELV). Regarding the REACH Regulation, the information TE provides on SVHC in articles for this part number is based on the latest European Chemicals Agency (ECHA) 'Guidance on requirements for substances in articles' posted at this URL: <https://echa.europa.eu/guidance-documents/guidance-on-reach>

**Compatible Parts**

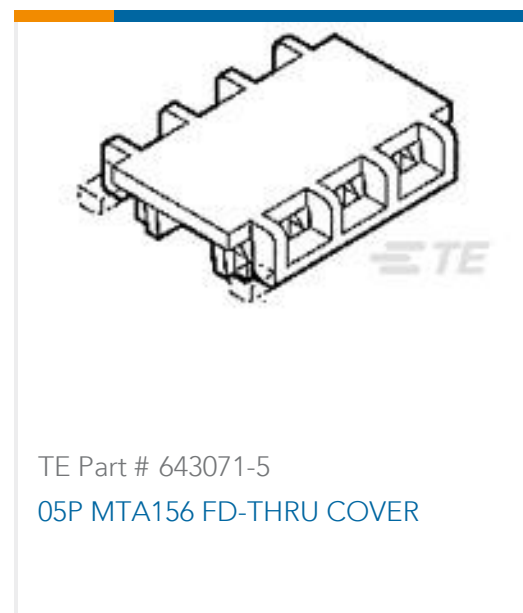


TE Part # 6648228-1  
CROWN,SKT,#10



TE Part # 1410354-7  
MULTI-GIG GUIDE PIN, 9MM 2.60

**Customers Also Bought**



## Documents

### Product Drawings

259-83-00500=TA HOOD,#8,BLACK

English

### CAD Files

3D PDF

3D

Customer View Model

[ENG\\_CVM\\_CVM\\_1643279-1\\_D.2d\\_dxf.zip](#)

English

Customer View Model

[ENG\\_CVM\\_CVM\\_1643279-1\\_D.3d\\_igs.zip](#)

English

Customer View Model

[ENG\\_CVM\\_CVM\\_1643279-1\\_D.3d\\_stp.zip](#)

English

By downloading the CAD file I accept and agree to the [Terms and Conditions](#) of use.

### Datasheets & Catalog Pages

[POWER\\_CONNECTORS\\_CATALOG\\_SEC02\\_CABLE\\_MOUNTED](#)

English

[Busbar Power Brochure](#)

English

[2\\_PIECE\\_POWER\\_CONNECTORS\\_qrg\\_4-1773458-1](#)

English

### Product Specifications



### Application Specification

English

---

### Agency Approvals

Agency Approval Document

English