

1410465-9 ✓ ACTIVE

## MULTIGIG RT

TE Internal #: 1410465-9

Guide Socket Module, Zinc Alloy

[View on TE.com >](#)



Connectors > Connector Accessories > Connector Hardware



Hardware Accessory Function: **Guide Hardware**

Connector Hardware Accessory Type: **Guide Socket Module**

Primary Product Material: **Zinc Alloy**

### Features

#### Product Type Features

Hardware Accessory Function	Guide Hardware
Connector Hardware Accessory Type	Guide Socket Module

#### Body Features

Product Orientation	Right Angle
Primary Product Material	Zinc Alloy

#### Mechanical Attachment

Product Plating Finish	Chromate Conversion Coating
------------------------	-----------------------------

#### Dimensions

Product Length	22.5 mm[.886 in]
----------------	------------------

#### Industry Standards

Industry Standard	VITA 41
-------------------	---------

#### Packaging Features

Packaging Quantity	250
Packaging Method	Carton

### Product Compliance



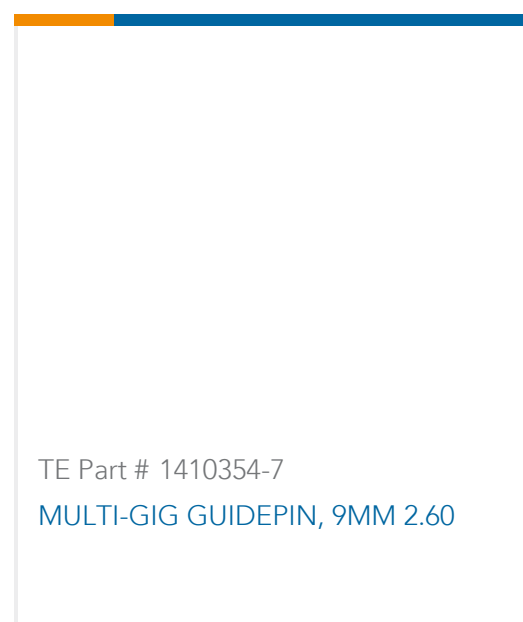
[For compliance documentation, visit the product page on TE.com>](#)

EU RoHS Directive 2011/65/EU	Compliant
EU ELV Directive 2000/53/EC	Compliant
China RoHS 2 Directive MIIT Order No 32, 2016	No Restricted Materials Above Threshold
EU REACH Regulation (EC) No. 1907/2006	Current ECHA Candidate List: JAN 2024 (240) Candidate List Declared Against: JAN 2024 (240) Does not contain REACH SVHC
Halogen Content	Low Halogen - Br, Cl, F, I < 900 ppm per homogenous material. Also BFR/CFR/PVC Free
Solder Process Capability	Not applicable for solder process capability

Product Compliance Disclaimer

This information is provided based on reasonable inquiry of our suppliers and represents our current actual knowledge based on the information they provided. This information is subject to change. The part numbers that TE has identified as EU RoHS compliant have a maximum concentration of 0.1% by weight in homogenous materials for lead, hexavalent chromium, mercury, PBB, PBDE, DBP, BBP, DEHP, DIBP, and 0.01% for cadmium, or qualify for an exemption to these limits as defined in the Annexes of Directive 2011/65/EU (RoHS2). Finished electrical and electronic equipment products will be CE marked as required by Directive 2011/65/EU. Components may not be CE marked. Additionally, the part numbers that TE has identified as EU ELV compliant have a maximum concentration of 0.1% by weight in homogenous materials for lead, hexavalent chromium, and mercury, and 0.01% for cadmium, or qualify for an exemption to these limits as defined in the Annexes of Directive 2000/53/EC (ELV). Regarding the REACH Regulation, the information TE provides on SVHC in articles for this part number is based on the latest European Chemicals Agency (ECHA) 'Guidance on requirements for substances in articles' posted at this URL: <https://echa.europa.eu/guidance-documents/guidance-on-reach>

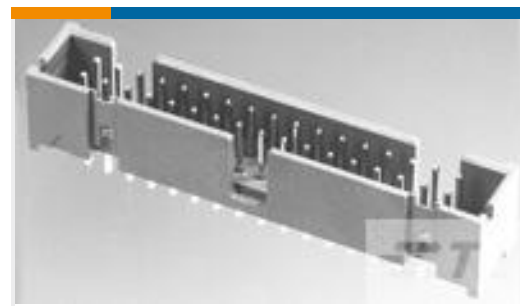
### Compatible Parts



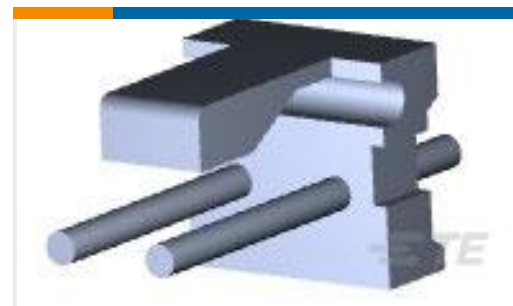
### Customers Also Bought



TE Part #8-35149-2  
TERMINAL,PIDG R 12-10 6



TE Part #5104338-5  
A/L LOW PRO HDR 24P VERT HT



TE Part #640388-2  
02P MTA156 HDR ASSY RN STR F/L



TE Part #2-1419106-6  
27E894=SOCKET,KH,14,SCW,POLY,N



TE Part #1622877-1  
CRG0603 1% 1M0



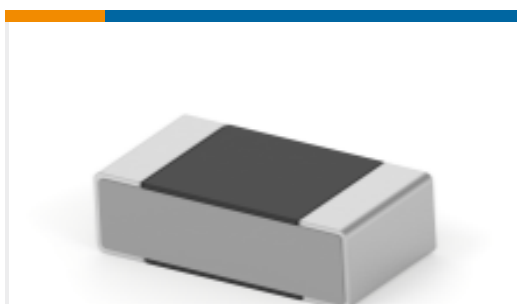
TE Part #4-1393122-4  
KHAU-17D11-24=KH



TE Part #1-2176339-5  
CRGCQ 0603 150R 1%



TE Part #640388-4  
04P MTA156 HDR ASSY RN STR F/L



TE Part #6-1879135-1  
RN 0603 4R99 0.1% 10PPM 5K RL



TE Part #1410137-1  
MULTIGIG RT T2 .8" DC DF F-CTR

## Documents

### Product Drawings

VITA 41 KEYED GUIDE MODULE

English

### CAD Files

Customer View Model

[ENG\\_CVM\\_CVM\\_1410465-9\\_A.2d\\_dxf.zip](#)

English

### 3D PDF

3D

Customer View Model

[ENG\\_CVM\\_CVM\\_1410465-9\\_A.3d\\_igs.zip](#)

English

Customer View Model

[ENG\\_CVM\\_CVM\\_1410465-9\\_A.3d\\_stp.zip](#)

English

By downloading the CAD file I accept and agree to the [Terms and Conditions](#) of use.

### Datasheets & Catalog Pages



[2\\_PIECE\\_POWER\\_CONNECTORS\\_qrg\\_4-1773458-1](#)

English

---

[Product Specifications](#)

[Application Specification](#)

English