

Materials

1. C3604 brass, nickel plated
2. C2680 brass, nickel plated
3. C2680 brass, nickel plated
4. C3604 brass, nickel plated
5. POM, white
6. SK4 steel, nickel plated

Electrical requirements

Dielectric strength: 1 min @ 500 Vac and 2mA
 Insulation resistance: 100 MΩ @ 100 Vdc
 Contact resistance: 50 mΩ or less

Mechanical requirements

Durability: 5000 mating cycles while maintaining normal operation and < 50mΩ
 Bending strength: ≥ 1.5 kg
 Breaking strength: ≥ 3.0 kg

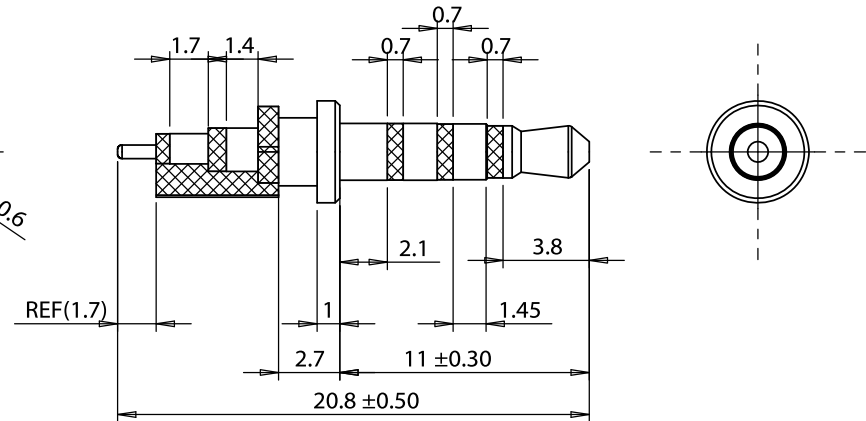
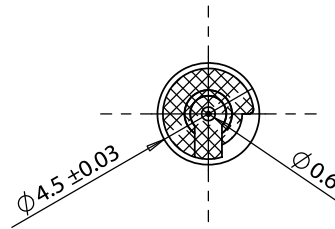
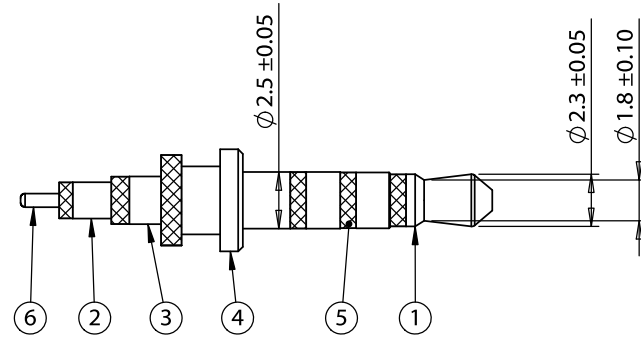
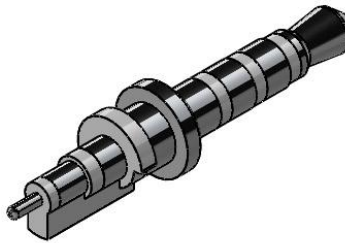
Environmental tests

Salt spray test: 5% NaCl spray at 1ml/80cm²/h, chamber temp 46.5°C, spray temp 35°C, 87% humidity, 48 hours. No oxidation.

Cold resistance: -25°C±3 for 2 hours with no degradation.
 Heat resistance: 85°C±3 for 2 hours with no degradation.

Operating range

-30 to 85 °C



REVISION	DATE	DESCRIPTION
A	3/6/14	Initial release

PREPARED:
 JM
 2014.03.07 10:22:26 -08'00'

VERIFIED:
LA
Digitally signed by LA
 DN: cn=LA, o=Tensility, ou,
 email=Q0001@tensility.com, c=US
 Date: 2014.03.10 11:51:06 -0700'

DIMENSIONS ARE IN MILLIMETERS

TOLERANCES:
 X: ± 0.5 mm
 X.X: ± 0.3 mm
 X.XX: ± 0.05 mm

NOTES
 RoHS compliant
 Function test: no open, no short circuit, no INT

DESCRIPTION:
 Connector, 4C audio plug, 2.5xL20.8 mm, brass, nickel plated, white, molding style

TENSILITY

20802 Sockeye Place #130
 Bend, OR 97701 USA
 tel 541.323.3228 fax 541.323.4202
 800 877.670.7118 www.tensility.com

SIZE A	PART NUMBER 50-00407
SCALE: 5:1	WEIGHT:
SHEET 1 OF 1	