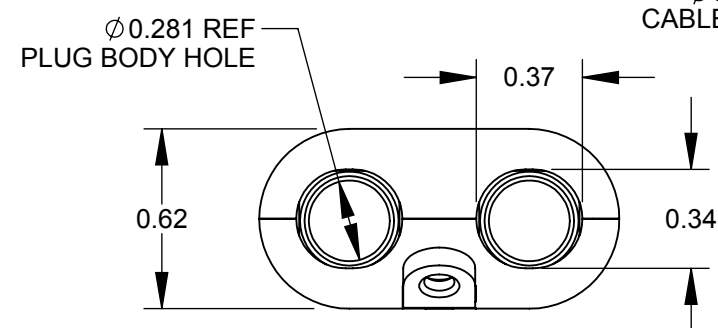
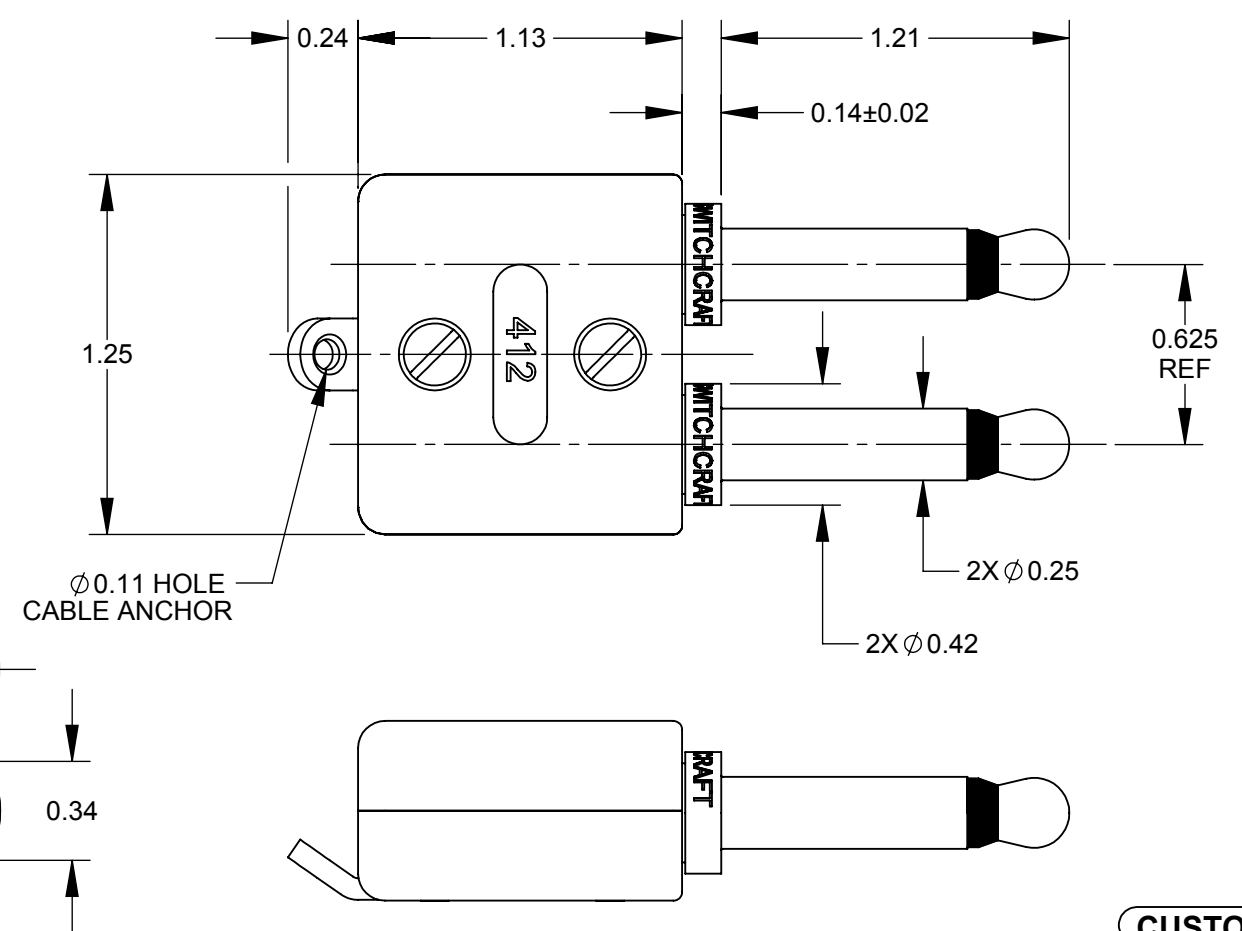


SHOWN WITH TOP HANDLE REMOVED



CUSTOMER DRAWING

- NOTES:
- MATERIALS:
 TIP ROD AND PLUG BODY - COPPER ALLOY
 CLAMP TERMINALS - COPPER ALLOY, TIN PLATED
 PLUG INSULATION - THERMOPLASTIC, BLACK
 HANDLES - THERMOPLASTIC, BLACK
 CABLE BRACKET - STEEL, CADMIUM PLATED
 TERMINAL SCREWS - COPPER ALLOY
 HANDLE SCREWS - STEEL, CADMIUM PLATED
 - THIS PRODUCT IS SHIPPED UNASSEMBLED.
 HANDLE SCREWS, TERMINAL SCREWS, CLAMP TERMINALS,
 AND CABLE BRACKET ARE SHIPPED AS K167 HARDWARE KIT.

REV	ECO NUMBER	DATE	BY	APVD
C	CAD REDRAW NO CHANGE - ECO #27502	05/21/15	PC	TJK
REVISIONS				

UNLESS OTHERWISE SPECIFIED

1. ALL DIMENSIONS IN INCHES
 - TWO PLACE DECIMALS ±0.02
 - THREE PLACE DECIMALS ±0.005

DO NOT SCALE DRAWING

THIS DRAWING DESCRIBES A DESIGN CONSIDERED PROPRIETARY IN NATURE, DEVELOPED AND MANUFACTURED BY SWITCHCRAFT INC. AND IS RELEASED ON A CONFIDENTIAL BASIS FOR IDENTIFICATION PURPOSES ONLY.									
SIZE	WIDTH	MULT	LBS/M	TEMPER	MATERIAL SEE NOTE 1				
FINISH					SPEC No.				
FIRST USED ON					SCALE 1.5:1				
DATE DRAWN	BY	CHKD	APVD	MATERIAL SPEC No.					
12/05/68	MB	CJW	TJK	Switchcraft®					
			12/05/68	04/17/15	SHEET 1 OF 1				
NAME 2 CONDUCTOR					PART No.				
Ø0.25 TWIN PHONE PLUG					412				
					REV C				