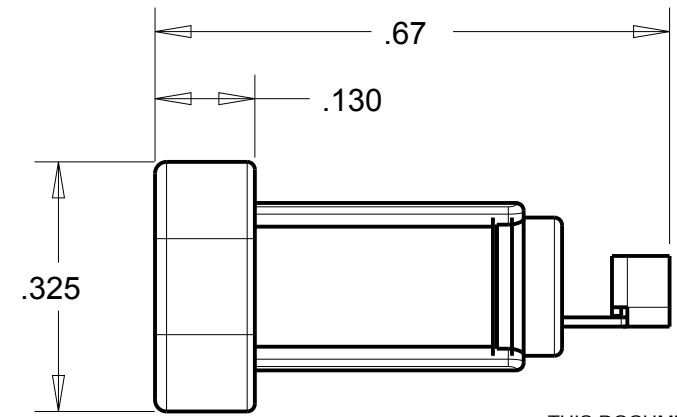
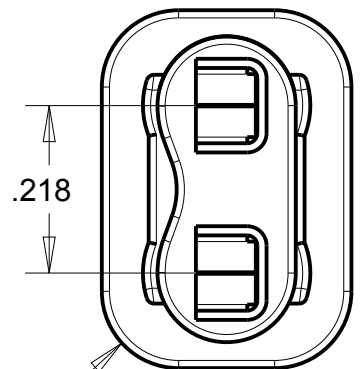
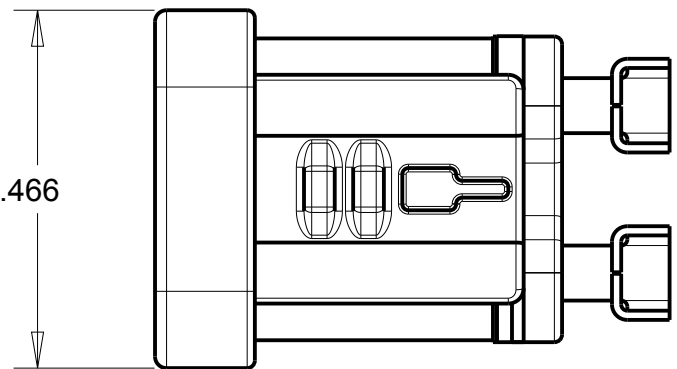
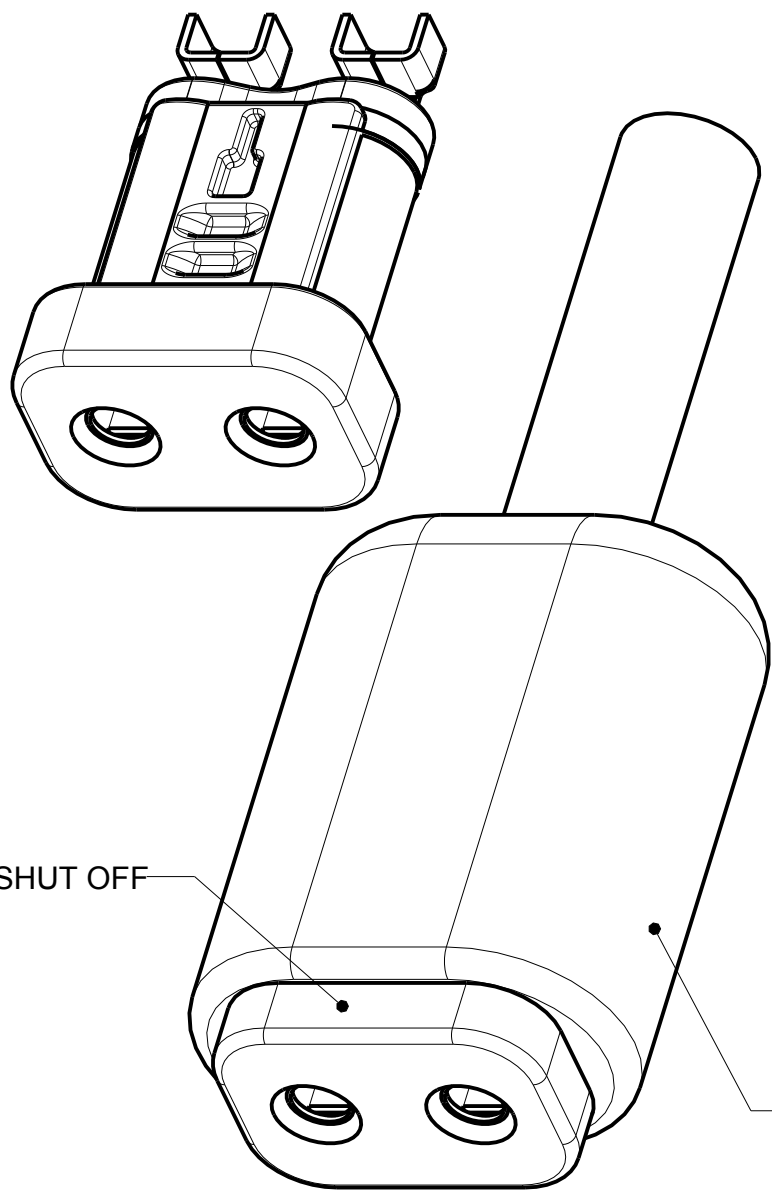


PROPRIETARY - NEXUS

ORDERING PART NUMBER: OMJ-101

A OMJ-101-CO



THIS DOCUMENT CONTAINS PROPRIETARY INFORMATION OF NEXUS, INCORPORATED AND SUCH INFORMATION MAY NOT BE DISCLOSED TO OTHERS FOR ANY PURPOSE OR USED FOR ANY PURPOSE WITHOUT THE WRITTEN CONSENT OF NEXUS.

LET.	REVISION	CN #	DATE	CHK.
C	UPDATE DIMS	089	11/29 2010	HR
B	WAS .320	021	8/15 2009	
A	RELEASE		1/15 2009	

DWN.BY	LDE	DATE	15-Jan-09
CHECKED BY		DATE	
APPR.BY		DATE	
UNLESS OTHERWISE SPECIFIED: DIMENSIONS ARE IN INCHES &/OR (mm)			
TOLERANCES:			
DECIMAL: .XX[X.X] .XXX[X.XX]			
± .01[0.3] ± .003[0.08]			
FRACTION: XX		ANGLES: X	
± 1/64		± .5	

MATERIAL	
FINISH	
WEIGHT	SCALE = 4.00 :1
TITLE	
MICROPHONE JACK -OM	
ORDERING PART NUMBER: OMJ-101	
DO NOT SCALE DWG.	SHEET 1 OF 1

NEXUS
STAMFORD, CONN

SIZE **A** DWG. NO. **OMJ-101-CO**